

Processing instructions for blaugelb FLK Sealing System

The cross-discipline solution for sealing in the floor-level range.



For processing at the existing waterproofing of a building (surface sealing), created in accordance with:

- DIN 18531 “Waterproofing of roofs, balconies and walkways”, Part 1 - 5
- DIN 18533 “Waterproofing of elements in contact with soil”, Part 1 - 3
- “Flat roof guideline”, published by the Zentralverband des Deutschen Dachdeckerhandwerks
- BWA – Guidelines for waterproofing of buildings, published by the Hauptverband der Deutschen Bauindustrie e.V.

For professional processing of the blaugelb FLK Sealing System, the notes and working procedures from these processing instructions must be complied with. Please read through them carefully before planning and processing.

Area of application:

The blaugelb FLK Sealing System has been developed specifically for the cross-discipline sealing of the lower connection of floor-level construction elements to wall components.

The area of application described in these processing instructions differs from the waterproofing of buildings as well as from the waterproofing of roofs and includes the following water impact classes according to DIN 18533-1:

- Ground moisture and non-pressing water [cf. water impact class W1-E, DIN 18533-1:2017-07, Table 1]
- Splash water and ground moisture at the wall base as well as capillary water in and under walls

[cf. water impact class W4-E, DIN 18533-1:2017-07, Table 1]

The waterproofing is carried out as plinth sealing and processing on an existing, professional, surface waterproofing of buildings according to the requirements of the applicable regulations.

The sealing of the construction element plinth connection has not yet been clearly regulated by standards with regard to the design and load.

With proper application of the blaugelb FLK Sealing System, the builder or processor is ensured the safety of a tested solution that is certifiable by the building inspectorate and is an integrated system. The function of the blaugelb FLK Sealing System and its conformity with the requirements under the building code for materials and execution have been examined by the Braunschweig Civil Engineering Materials Testing Institute and confirmed with expert report no. 1203/540/22.

Processing instructions for blaugelb FLK Sealing System

The cross-discipline solution for sealing in the floor-level range.

Notes in advance:

- A suitability test with regard to the building's specific on-site requirements is necessary before processing based on these processing instructions.
- The products of the blaugelb FLK Sealing System must not be mixed with any foreign substances.
- The waterproofing solution across buildings must be agreed under private law in writing between the contracting parties in advance (template available upon request).
- During the planning and execution, all system documents for the blaugelb FLK Sealing System must be observed (system drawings, technical data sheets, safety data sheets, processing instructions etc.). Deviations may lead to disclaimers of warranties.
- All specifications are based on the current state of the art at the time that these processing instructions were created. Subject to modifications.
- For the transport, storage and processing of the blaugelb FLK Sealing System, the safety data sheets and technical data sheets must be observed. Use personal protective equipment (gloves in accordance with EN ISO 374 and tightly sealed goggles). Sufficient ventilation must be ensured during and after processing.
- For disposal, the EAK (European waste catalogue) waste key numbers specified in the safety data sheets for the regional disposal companies and any regional and national regulations are to be observed.
- Our optiMont® application engineers from your subsidiary would be happy to help should you have any questions and can offer support for a specimen installation. Use the processing instructions to train the personnel performing the work. Keep a record of the work performed using the appropriate installation report (template available upon request).
- The blaugelb FLK Toolbox (item no. 9143752) is needed as initial equipment at the construction site – please order this in advance.

Contents

1. Preparatory measures	3
1.1 Harmonisation before processing	3
1.2.1 Installation in the supporting wall structure (monolithic installation)	4
1.2 Execution of the building waterproofing at the soffit	4
1.2.2 Installation in front of the supporting wall structure (blaugelb Triotherm+ Pre-Wall Installation System)	5
1.3 Preparation of the construction elements (window/door)	6
1.3.1 Preparation at the factory	6
1.3.2 Preparation at the construction site	8
2. Processing of the blaugelb FLK Sealing System	10
2.1 Suitability of the substrate	10
2.1.1 Overview for substrate preparation	11
2.2 Installation of the construction elements (window/door) in the masonry opening	11
2.3 Processing of the connecting joint of the construction elements (window/door)	11
2.4 Marking off the surface to be sealed on the window frame	12
2.5 Pretreatment of the construction elements (window/door)	12
2.5.1 Plastic window	12
2.5.2 Aluminium window	15
2.5.3 Wooden window	17
2.6 Marking off the surface to be sealed on the existing building waterproofing	19
2.7 Application of the first coat (base) of the blaugelb FLK Liquid	20
2.8 Application of the second coat (surface coat) of the blaugelb FLK Liquid	22
2.9 General notes	23
2.9.1 Measures in the event of work interruptions	23
2.9.2 Sudden rain within the reaction times	23
2.9.3 Tool care	23
3. Article overview	24
4. Appendix	25
4.1 Technical detail in the supporting wall structure: Preparation at the factory	25
4.2 Technical detail in the supporting wall structure: Preparation at the construction site	32
4.3 Technical detail in front of the supporting wall structure: Preparation at the factory	39
4.4 Technical detail in front of the supporting wall structure: Preparation at the construction site	46

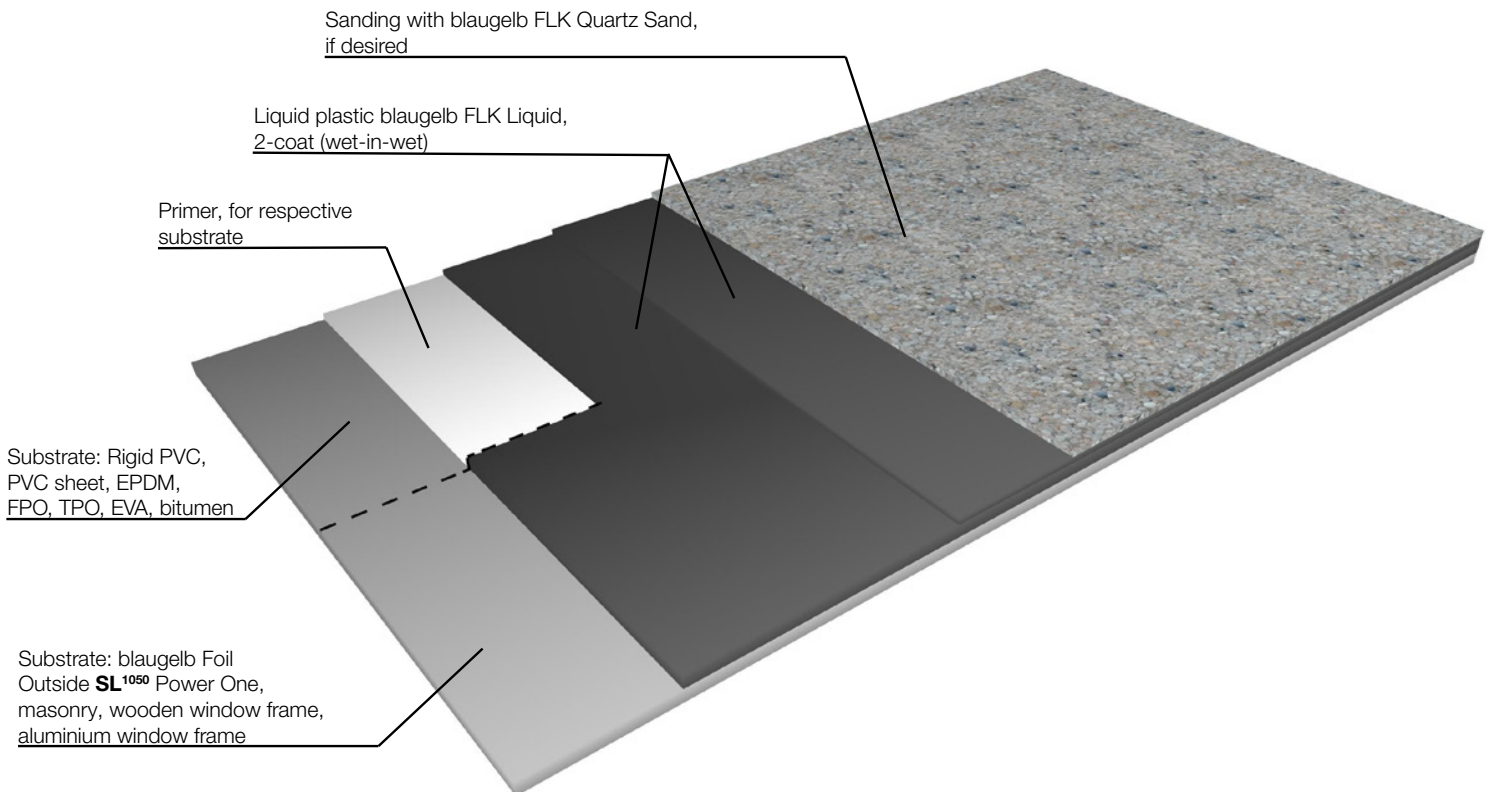
The information provided in this document corresponds to the information and technical details available to the best of our knowledge. However, this does not constitute a guarantee pursuant to section 443 of the German Civil Code (BGB). Our processing instructions are to be considered only as general guidelines and may differ in the individual case due to the range of possible uses and applications. They do not therefore automatically exempt the user from carrying out their own tests. We reserve the right to make technical modifications and enhancements at any time. Meessenburg assumes no responsibility for defects that are the result of processing performed by the user that deviates from the specifications from Meessenburg, in particular from these processing instructions on the blaugelb FLK Sealing System. No liability for printing errors accepted.

Overview of the coat design

Compliant processing on the existing waterproofing of buildings is achieved with the 2-coat design of blaugelb FLK Liquid. The individual steps are performed wet-in-wet according to the following principle:

- First coat (base coat, covers the blaugelb Foil Outside **SL¹⁰⁵⁰** Power One and the waterproofing of the building), coverage approx. 0.9 kg/m².
- Second coat (surface coat), coverage approx. 0.9 kg/m².

The total coverage of the blaugelb FLK Liquid is approx. 1.8 kg/m².



We recommend finishing with sand application using blaugelb FLK Quartz Sand 0.7 - 1.2 mm grain size. The quartz sand serves to ensure that any subsequent work can connect (adhere) to the created sealing with no problems or can repair the surface of the surface coat. No more primer is required for this, only slight pre-cleaning.

The sand application is performed directly on the still-wet surface coat and can be thrown in by hand or applied with a suitable quartz sand gun.

Excess sand can be carefully brushed off after 24 hours. The sealed surface is rainproof after 60 minutes and can be walked on after 48 hours. After 28 days, the entire sealing is completely cured and can then also be painted over.

1. Preparatory measures

1.1 Harmonisation before processing

The following topics must always be clarified before the processing, ideally as early as the planning:

- Early harmonisation with the preceding and subsequent work
- Any rework of the preceding work for preparation of the sealing (e.g. smoothing)
- On which substrate (see table "Overview for substrate preparation", page 11) is the sealing being applied?

Processing instructions for blaugelb FLK Sealing System

The cross-discipline solution for sealing in the floor-level range.

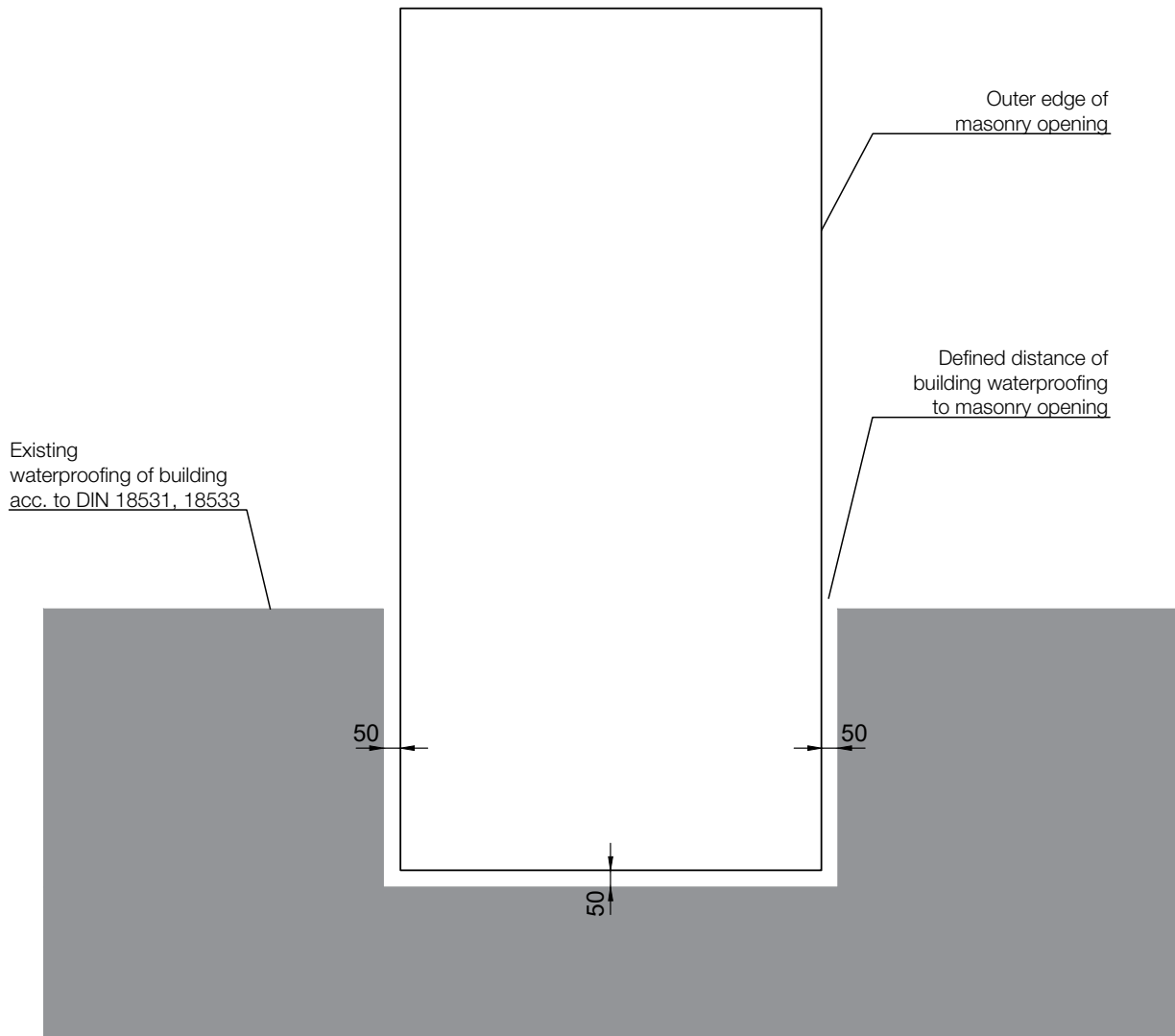
1.2 Execution of the building waterproofing at the soffit

Important note for the structural waterproofer: the previously created building waterproofing must maintain a defined distance to the edge of the soffit.



1.2.1 Installation in the supporting wall structure (monolithic installation)

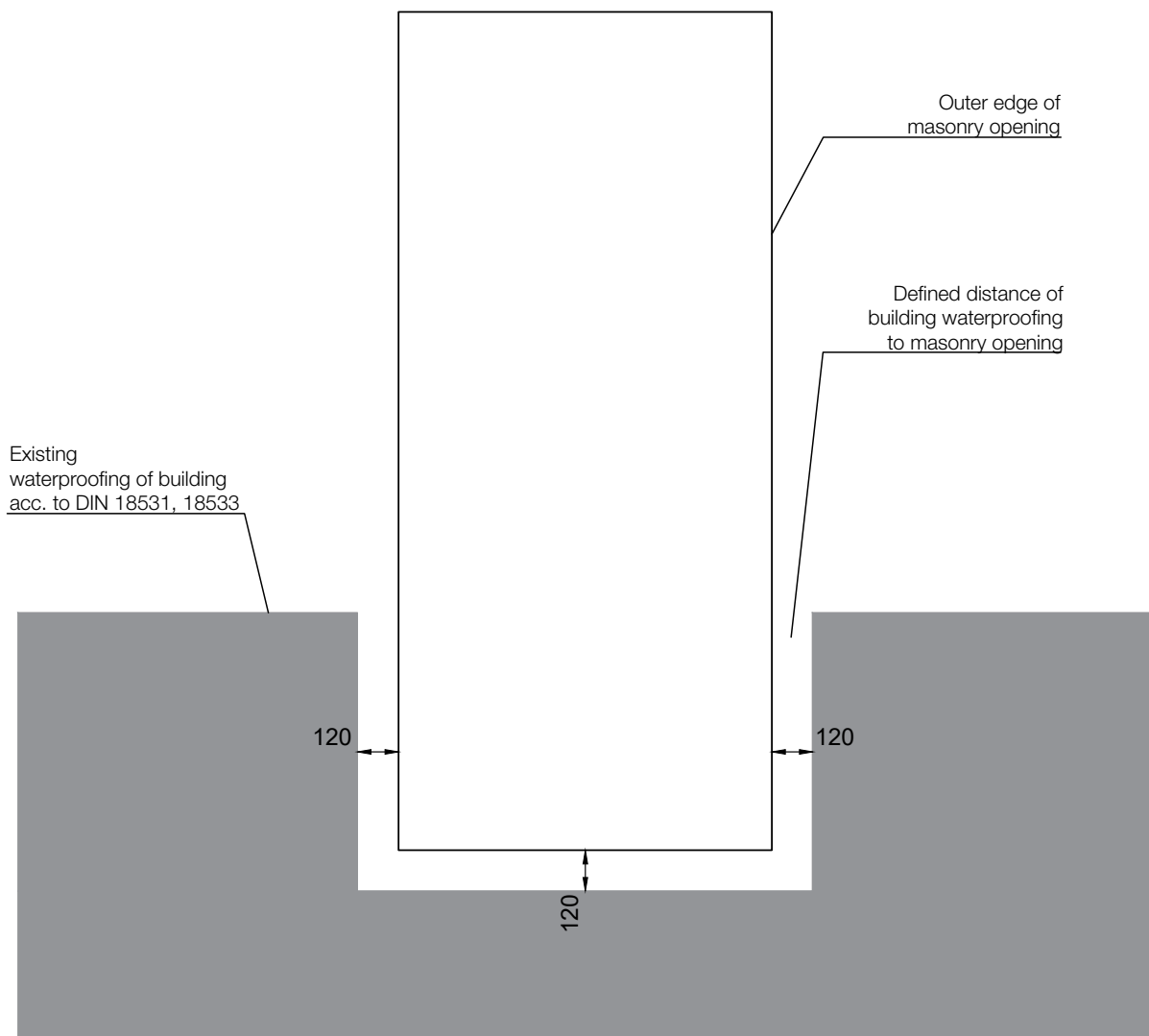
The waterproofing on the building side is completed at the side and bottom with a distance of 50 mm to the edge of the window soffit by the structural waterproofer.





1.2.2 Installation in front of the supporting wall structure (blaugelb Triotherm+ Pre-Wall Installation System)

The waterproofing on the building side is completed at the side and bottom with a distance of 120 mm to the edge of the window soffit by the structural water-proofer.



Processing instructions for blaugelb FLK Sealing System

The cross-discipline solution for sealing in the floor-level range.

1.3 Preparation of the construction elements (window/door)

The window systems must always be drained toward the front. All attachments (expansions, plinth thermal insulation profiles etc.) in the floor area up to 150 mm above the water-bearing layer must be installed according to the manufacturer's specifications.

For the blaugelb products, please note the blaugelb brochure PROFESSIONAL – COMPLIANT – SAFE Floor-level connection (available as a download at www.blaugelb.de).

For the connection of the plinth thermal insulation profile to the threshold or to the window frame, the blaugelb FLK Sealing System offers two variants.

We recommend performing the connection in the factory.

1.3.1 Preparation at the factory

Step 1:

Unwind the blaugelb Foil Outside **SL¹⁰⁵⁰** Power One (width 75 mm, item no. 9123143) from the roll and cut it to a length that is 100 mm wider on both sides than the outer dimension of the window frame.

Step 2:

The blaugelb Foil Outside **SL¹⁰⁵⁰** Power One is bonded in front of the first profile bar of the window frame or the threshold up to the profile base. Please pull off the liner of the foil 20 mm for this.



Step 3:

The remaining foil width is bonded onto the plinth thermal insulation profile. Apply with a scraper, avoiding creases. Use the blaugelb Pressure Roller (item no. 9074068) to firmly press the foil onto the plinth thermal insulation profile.



Step 4:

Use the blaugelb Hybrid Polymer Crystal sealant to fill the window frame or threshold cavity or cavities in front of the plinth thermal insulation profile.

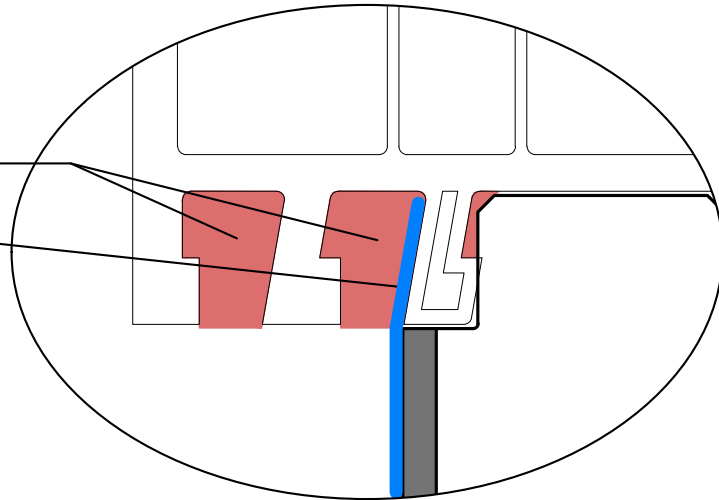


Important: With floor thresholds, make sure that the water drip edge remains open: only seal the front threshold cavity with blaugelb Hybrid Polymer Crystal 40 mm from the outer edge of the corners. Remove any protruding material.

Window frame detail:

Both cavities fully sealed over the entire window width with blaugelb Hybrid Polymer Crystal

blaugelb Foil Outside **SL¹⁰⁵⁰** Power One

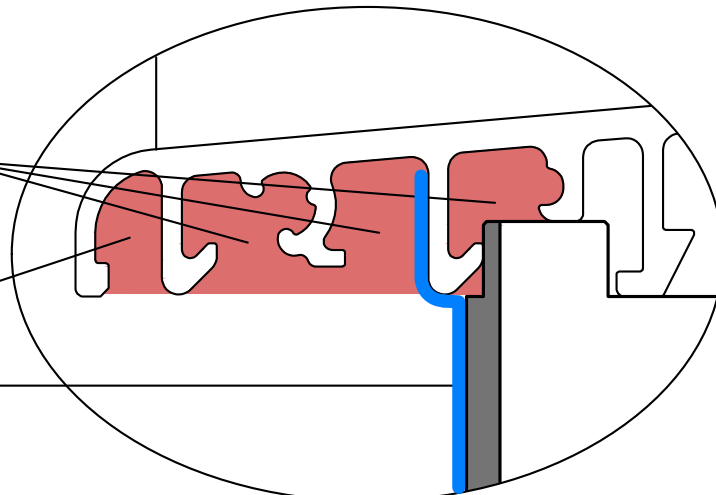


Threshold details:

Cavities fully sealed with blaugelb Hybrid Polymer Crystal

Cavity of threshold outer edge sealed 40 mm with blaugelb Hybrid Polymer Crystal

blaugelb Foil Outside **SL¹⁰⁵⁰** Power One

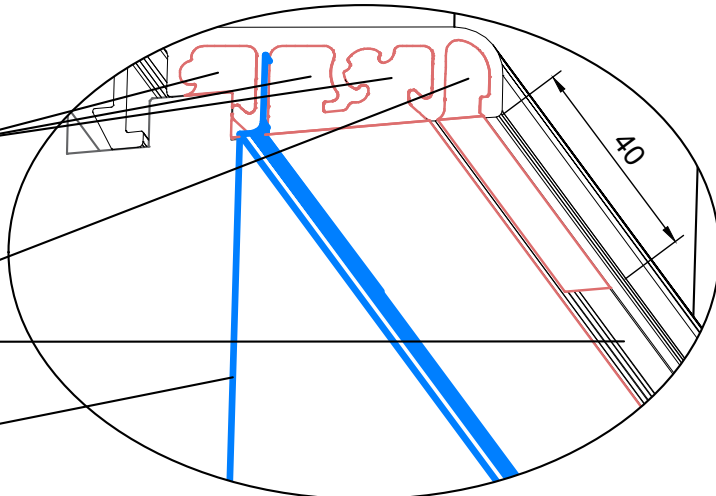


Cavities fully sealed with blaugelb Hybrid Polymer Crystal

Cavity of threshold outer edge sealed 40 mm with blaugelb Hybrid Polymer Crystal

Cavity remains open from here

blaugelb Foil Outside **SL¹⁰⁵⁰** Power One



Processing instructions for blaugelb FLK Sealing System

The cross-discipline solution for sealing in the floor-level range.

Step 5:

Secure the protruding foil for transport with masking tape.



Important: With floor thresholds, make sure that the water drip edge remains open: only seal the front threshold cavity with blaugelb Hybrid Polymer Crystal 40 mm from the outer edge of the corners. Remove any protruding material.

1.3.2 Preparation at the construction site

Step 1:

Unwind the blaugelb Foil Outside **SL¹⁰⁵⁰ Power One** (width 75 mm, item no. 9123143) from the roll and cut it to a length that is 100 mm wider on both sides than the outer dimension of the window frame.



Step 2:

Use the blaugelb Hybrid Polymer Crystal sealant to fill the window frame or threshold cavity or cavities in front of the plinth thermal insulation profile.

Important: Make sure that you use a fine tip and push the sealant along (do not pull). As a result you save the step of masking the area off and save material.

Step 3:

After the blaugelb Hybrid Polymer Crystal cures, the blaugelb Foil Outside **SL¹⁰⁵⁰ Power One** is bonded to the Hybrid Polymer up to the second bar of the window frame profile or the threshold. Leave a setback to the front edge so that the liquid plastic envelops the foil to the outside later.

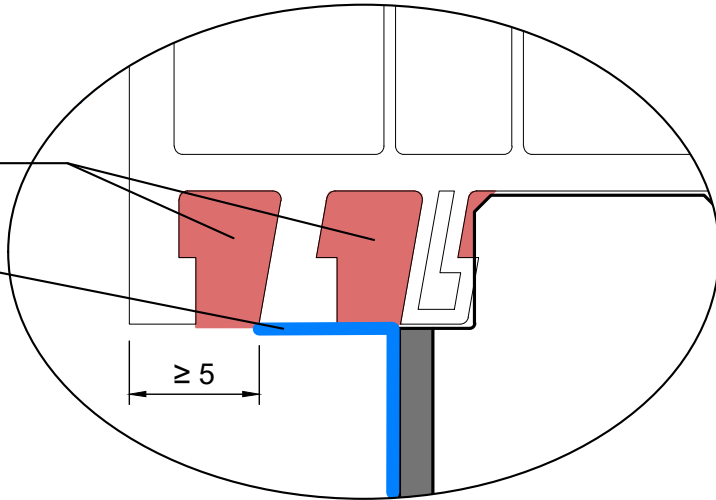
First pull off the liner of the foil 20 mm for this. Press on the foil. The remaining foil width is now bonded onto the plinth thermal insulation profile. Apply with a scraper, avoiding creases. Use the blaugelb Pressure Roller (item no. 9074068) to firmly press the foil onto the plinth thermal insulation profile.



Window frame detail:

Both cavities fully sealed over the entire window width with blaugelb Hybrid Polymer Crystal

blaugelb Foil Outside **SL¹⁰⁵⁰** Power One, foil is approx. 5 mm away from WF front edge

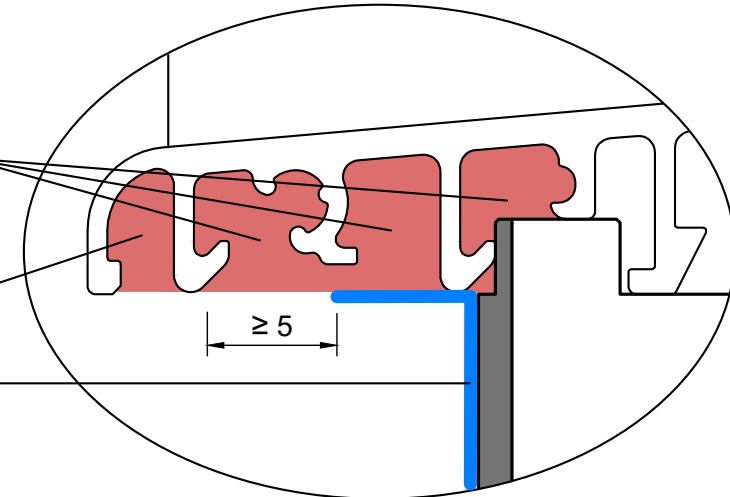


Threshold details:

Cavities fully sealed with blaugelb Hybrid Polymer Crystal

Cavity of threshold outer edge sealed 40 mm with blaugelb Hybrid Polymer Crystal

blaugelb Foil Outside **SL¹⁰⁵⁰** Power One

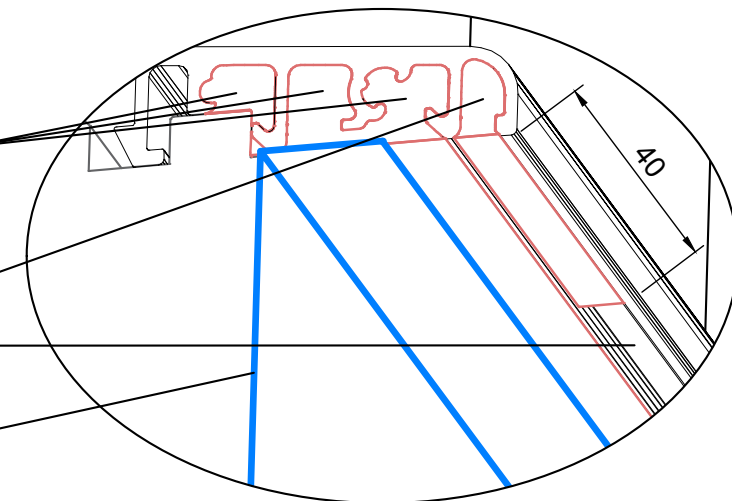


Cavities fully sealed with blaugelb Hybrid Polymer Crystal

Cavity of threshold outer edge sealed 40 mm with blaugelb Hybrid Polymer Crystal

Cavity remains open from here

blaugelb Foil Outside **SL¹⁰⁵⁰** Power One



Processing instructions for blaugelb FLK Sealing System

The cross-discipline solution for sealing in the floor-level range.

2. Processing of the blaugelb FLK Sealing System

2.1 Suitability of the substrate

The suitability of the substrate must always be checked for the specific property. The anchor base must be firm and stable. It should also be free of cavities and loose constituents and free of bituminous and other separating layers. The client, architect, site manager or structural engineer is responsible for ensuring that the anchor base is firm and stable. It may be necessary to perform repairs before sealing with the blaugelb FLK Sealing System (e.g. smoothing, highlighting of concerns).

The substrate must be clean, dry and free of cement streaks, dust, oil, grease and other contamination that reduces adhesion. If there is a separating layer on the anchor base, this can be removed using a diamond cup wheel (use e.g. Forum diamond cup wheel 125 mm, item no. 6602027196 or grinding disc from the blaugelb Toolbox item no. 9143752).



Remove normal construction dust on the anchor base with the aid of a hand brush.



All protective foils on the substrates must be removed in the area of the sealing.

Depending on the substrate material and properties, special cleaners and primers from the blaugelb FLK Sealing System are to be used; see the following table.

In the event of unknown substrates or substrates not listed here (base, sealing products etc.), please get in touch with your Meesenburg or opti-Mont® contact.

Please take into account the specifications for flash-off times. Additional details on the products can be found in the corresponding data sheets.

Mineral substrates must be cured for at least 28 days before sealing.

When performing the coating work on a mineral, porous substrate, this should be dry or at most slightly damp.

Make sure that moisture penetration from behind is not possible due to structural conditions.

The temperature of the substrate surface must be at least 3 °C higher than the dew point during processing so that the formation of a separating layer (moisture film) is prevented (see DIN 4108, "Dew point temperature table" and the dew point temperature table at www.blaugelb.de).

2.1.1 Overview for substrate preparation

You will find additional information in the data sheets on the blaugelb product.

Substrate	Pretreatment/ note	Primer
blaugelb Foil Outside SL ¹⁰⁵⁰ Power One		No primer necessary
blaugelb Triotherm ⁺ Profile, blaugelb Insulation Panel, blaugelb Insulation Panel MultiPro, blaugelb Plinth Thermal Insulation Profile EPS	Clean surface with cloth, hand brush or compressed air	No primer necessary
blaugelb Plinth Thermal Insulation Profile IHP/EPS, blaugelb Plinth Thermal Insulation Profile PVC/EPS, blaugelb Plinth Thermal Insulation Profile PVC/TK	Rub down with blaugelb Cleaner PVC-S10 UVA	blaugelb FLK Primer PVC Hard
Plastic sheets (PVC-P, nB)	Rub down with blaugelb Cleaner PVC-S10 UVA	blaugelb FLK Primer PVC Sheet
Plastic sheets (EPDM, FPO, TPO, EVA)	Rub down with blaugelb Cleaner PVC-S10 UVA, roughen the surface, tensile bond test absolutely mandatory	blaugelb FLK Primer Special EPDM FPO TPO EVA
Polymer bitumen sheets (PYE) mod. (SBS), unsanded		blaugelb FLK Primer Bitumen
Polymer bitumen sheets (PYP) mod. (APP), unsanded	Tensile bond test	blaugelb FLK Primer Bitumen
Bitumen membrane, sanded	Clean surface with hand brush or compressed air	No primer necessary
PVC moulded parts, rigid white	Rub down with blaugelb Cleaner PVC-S10 UVA	blaugelb FLK Primer PVC Hard
PVC moulded parts, laminated-film	Rub down with blaugelb Cleaner PVC-S10 UVA	blaugelb FLK Primer PVC Hard
Aluminium	Rub down with blaugelb Cleaner PVC-S10 UVA, roughen the surface with 40, 60 or 80-grain sandpaper	Upon request
Stainless steel	Rub down with blaugelb Cleaner PVC-S10 UVA, roughen the surface with 40, 60 or 80-grain sandpaper	Upon request
Steel, galvanised steel	Rub down with blaugelb Cleaner PVC-S10 UVA, roughen the surface with 40, 60 or 80-grain sandpaper	Upon request
Coats	Grinding, remove completely	Upon request
Asphalt	Grinding	No primer necessary
Concrete	Grinding	No primer necessary
Screeds	Grinding	No primer necessary
Plaster/masonry		No primer necessary
Mortar, polymer-modified	Grinding, milling or low-dust shot-blasting	No primer necessary
Lightweight concrete		No primer necessary
Wood, untreated	Remove any existing coats or blaugelb Cleaner PVC-S10 UVA	No primer necessary
Plastic sheets (PIB)	Rub down with blaugelb Cleaner PVC-S10 UVA, roughen the surface, tensile bond test absolutely mandatory	Upon request
Thermal insulation composite systems	Clean surface with cloth, hand brush or compressed air	No primer necessary

The compatibility and adhesion with the substrate and adjacent materials must be checked before the respective application in each case by the processor based on the variety of structural conditions. Based on the various conditions on-site and possible applications, the user is obligated to check the suitability of the products for their purposes. Any application-related advice on our part either spoken, written or tested is only intended for informational purposes and is not legally binding. Subject to modifications. No liability for printing errors accepted.

2.2 Installation of the construction elements (window/door) in the masonry opening

The element installation is performed in the usual manner according to the specifications:

- The Guideline for Planning and Implementation of Installation of Windows and External Pedestrian Doors for New Construction and Refurbishment, compiled by the Assurance Association for Windows, Façades and House Doors (Gütegemeinschaft Fenster, Fassaden und Haustüren e.V.) and the Institute for Window Technology (ift) (current version)
- The Guideline for Installation of Curtain Walls – Planning and Implementation of Installation for New Construction and Renovation, compiled by the Assurance Association for Windows, Façades and House

Doors (Gütegemeinschaft Fenster, Fassaden und Haustüren e.V.) and the Institute for Window Technology (ift) (current version)

- Note the specifications of your system manufacturer/structural engineer

2.3 Processing of the connecting joint of the construction elements (window/door)

Gaps and unevenness in the connecting joint and in the soffit must be closed or flattened (e.g. through smoothing, etc.). The sealing and insulation (inner and centre level) in the connecting joint can be performed at the installer's discretion.

Processing instructions for blaugelb FLK Sealing System

The cross-discipline solution for sealing in the floor-level range.

Important note: In the area of the sealing with the blaugelb FLK Sealing System, all connecting joints to the construction element, the pre-wall installation profile, the wall components and the base facing the outside (outer level of the connecting joint) are to be masked with blaugelb Foil Outside **SL¹⁰⁵⁰** Power One (width 75 mm, item no. 9123143). Even when using a joint sealing or multifunctional tape, this joint must be additionally taped over with the foil.

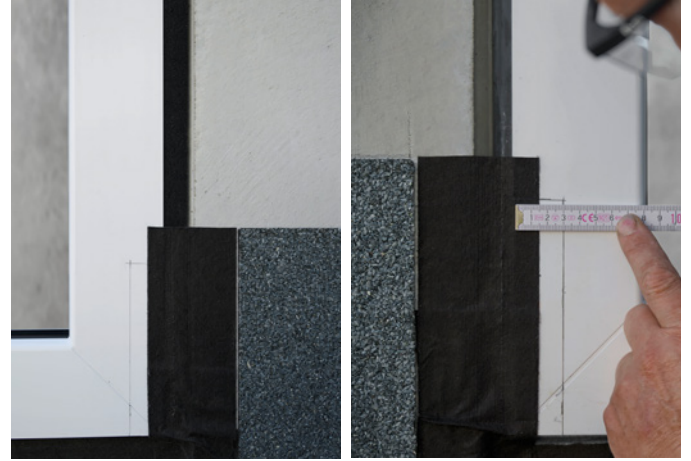


In the event of installation with the blaugelb **Triotherm⁺** Pre-Wall Installation System, the blaugelb Foil Outside **SL¹⁰⁵⁰** Power One 75 mm also has to be installed in the inner corners at the side and bottom connection of the blaugelb **Triotherm⁺** Profiles to the wall components.



2.4 Marking off the surface to be sealed on the window frame

Marking of **width 30 mm to the side** from the window frame outer edge, horizontally a **height of 150 mm from the outer covering upper edge**.



2.5 Pretreatment of the construction elements (window/door)

2.5.1 Plastic window

Step 1:

Clean all plastic surfaces (windows, expansions, plinth thermal insulation profile) made of white rigid PVC or with laminated film (e.g. Renolit, Hornschuch) with blaugelb Cleaner PVC-S10 UVA. Allow the cleaner to flash off.



Step 2:

Marking of the surface to be sealed (width 30 mm, **height 150 mm from outer covering UE**) with a pencil on the window frame.

Step 3:

Mask off the window frame in the area of the sealing and crosswise across the bottom with blaugelb FLK Masking Tape 50 mm. Press on the masking tape firmly with the blaugelb Pressure Roller (item no. 9074068).

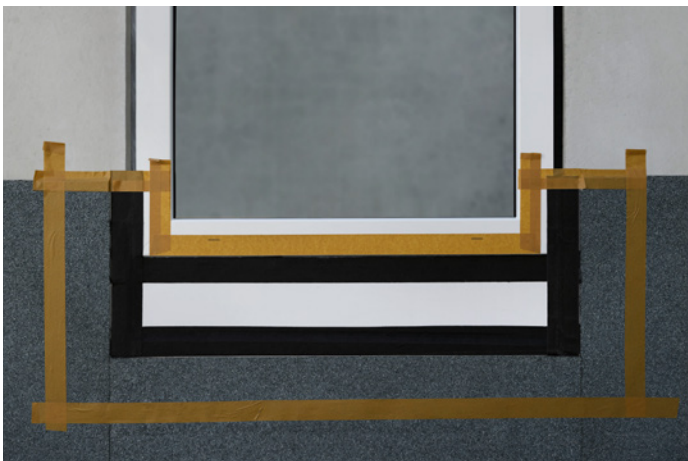


Step 4:

Additionally mask off the window frame in the area of the window frame (width 30 mm, **height 150 mm from outer covering UE**) with a second layer of masking tape (blaugelb FLK Masking Tape 25 mm).



The figure shows the completed masking on an example window frame with plinth thermal insulation profile, installation in the supporting wall structure (monolithic installation).



Step 5:

Use the blaugelb FLK Primer PVC Hard 0.6 kg to prime all plastic surfaces made of white rigid PVC or with laminated film (e.g. Renolit, Hornschuch) (applied quantity 200 g/m²) and allow to flash off. Use the blaugelb FLK Brush 60 mm to apply the blaugelb FLK Primer PVC Hard evenly on all plastic surfaces (window, expansions, plinth thermal insulation profile etc.).



Step 6:

Remove the second layer of the blaugelb FLK Masking Tape (25 mm) again directly after applying the primer (still wet!).

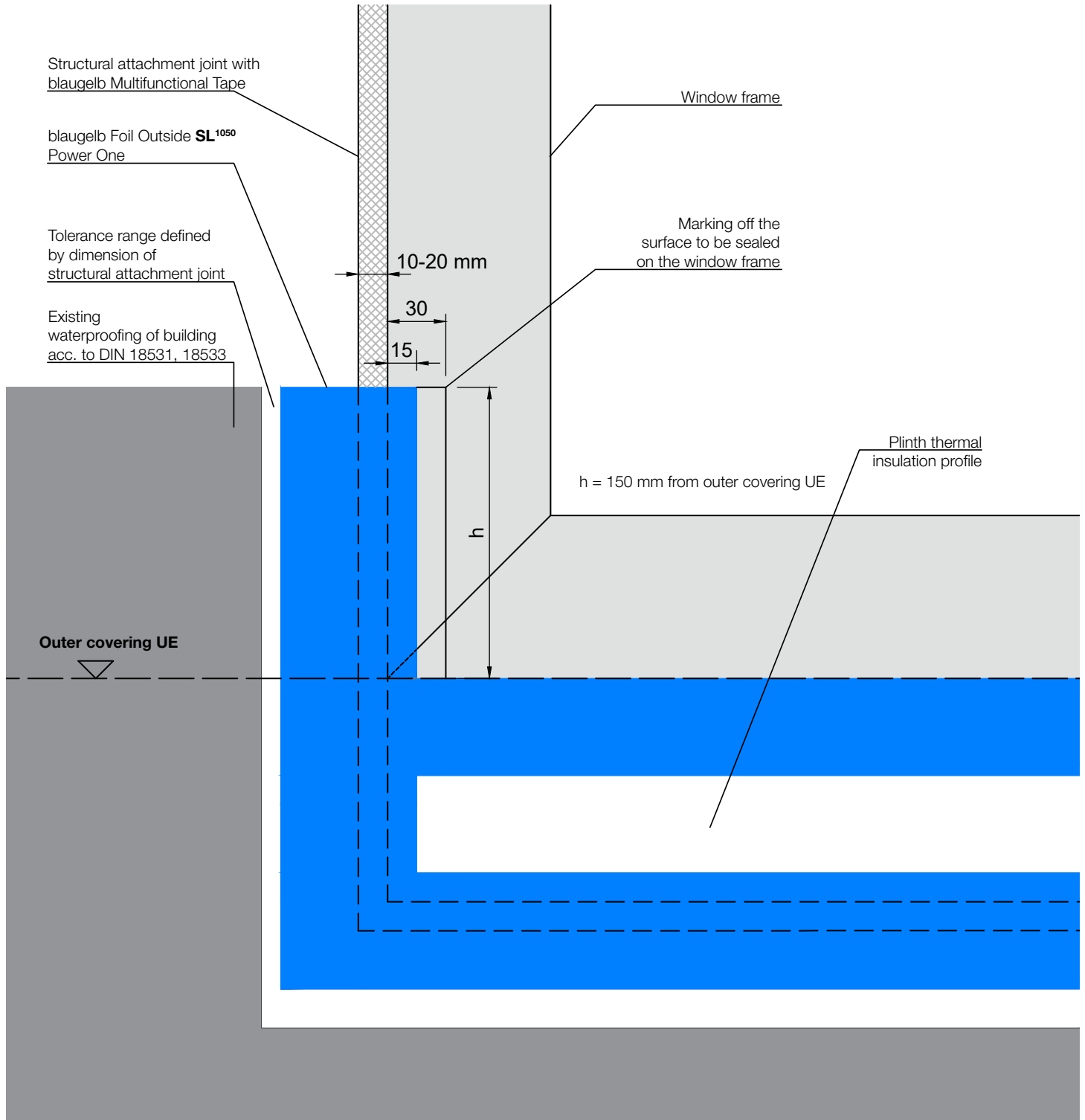


Step 7:

Allow the blaugelb FLK Primer PVC Hard to flash off for 20 - 25 minutes.

Processing instructions for blaugelb FLK Sealing System

The cross-discipline solution for sealing in the floor-level range.



2.5.2 Aluminium window

Step 1:

Clean all aluminium surfaces (window, expansions, plinth thermal insulation profile etc.) with the blaugelb Cleaner PVC-S10 UVA. Allow cleaner to flash off.

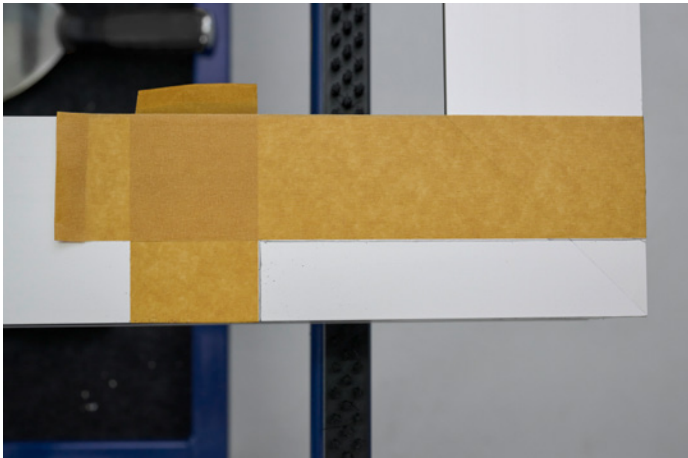


Step 2:

Marking of the surface to be sealed (width 30 mm, **height 150 mm from outer covering UE**) with a pencil on the window frame.

Step 3:

Mask off the window frame in the area of the sealing surface and cross-wise across the bottom with blaugelb FLK Masking Tape 50 mm – cf. Chap. 2.5.1 step 3, page 12.



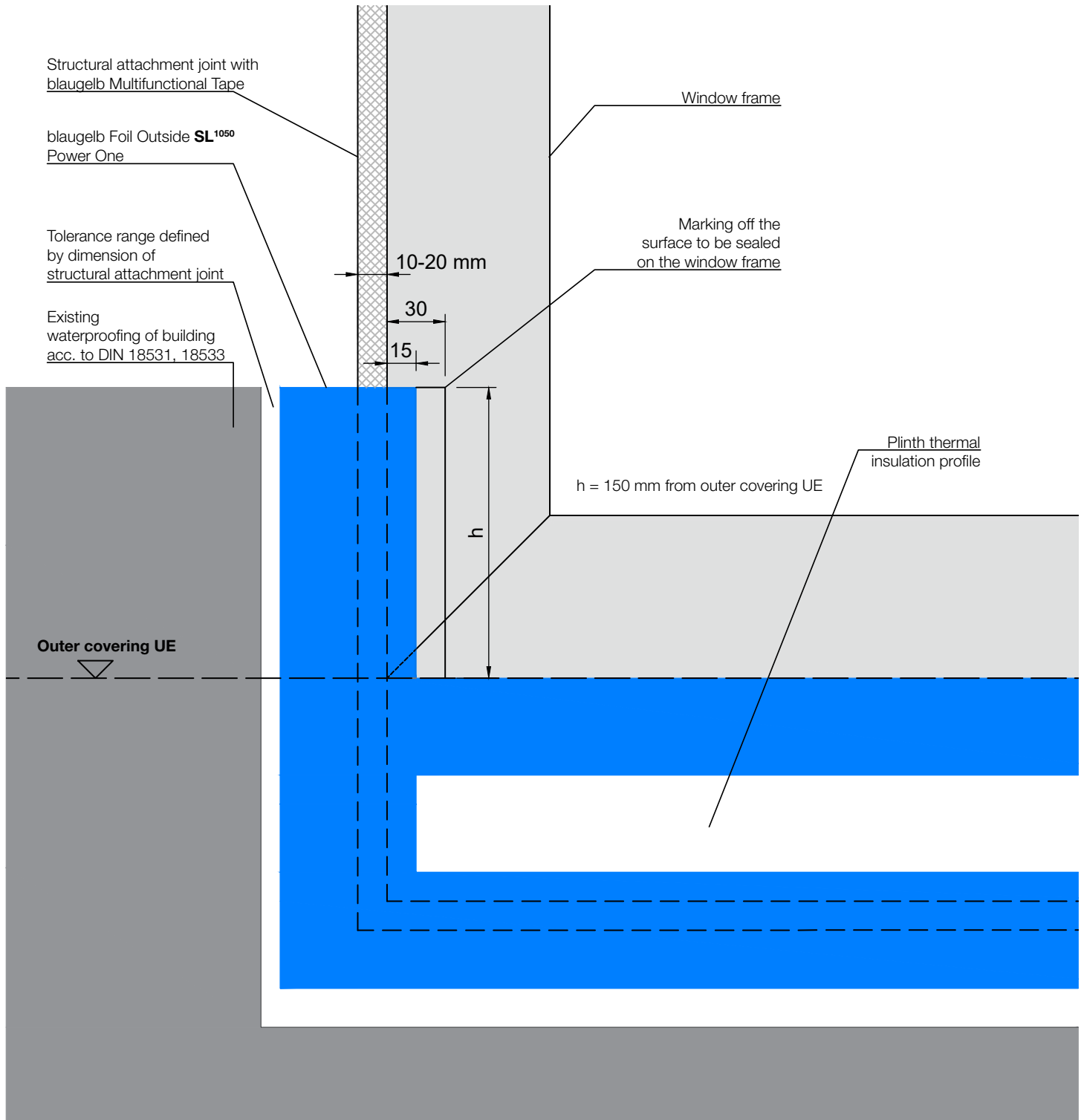
Step 4:

Lightly and evenly grind the sealing surface with 60-grain sandpaper from the blaugelb FLK Toolbox.



Processing instructions for blaugelb FLK Sealing System

The cross-discipline solution for sealing in the floor-level range.



2.5.3 Wooden window

Step 1:

Clean all wooden surfaces (window, expansions, plinth thermal insulation profile etc.) with the blaugelb Cleaner PVC-S10 UVA. Allow cleaner to flash off – cf. Chapter 2.5.1 step 1, page 12.

Step 2:

Marking of the surface to be sealed (width 30 mm, height **150 mm from outer covering UE**) with a pencil on the window frame.



Step 3:

Mask off the window frame in the area of the sealing surface and crosswise across the bottom with blaugelb FLK Masking Tape 50 mm.

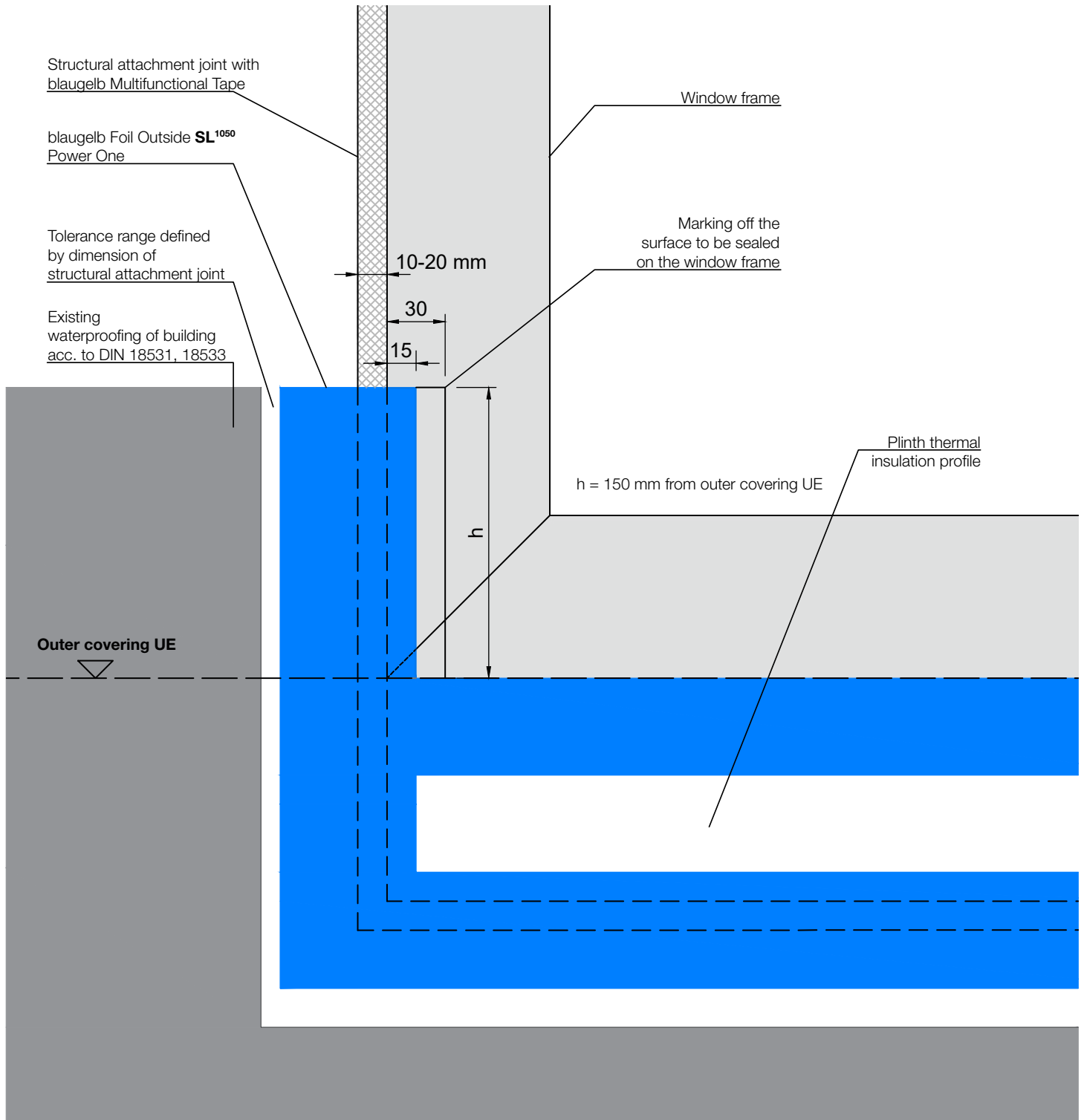


Step 4:

Raw wood (half-timbering, frame construction, OSB boards etc.) is not primed or ground. With wood coatings with conventional water-based glazes, pretreatment is generally not necessary. The blaugelb FLK Liquid is applied directly. Due to the number of paint systems available on the market, we recommend carrying out appropriate pretests.

Processing instructions for blaugelb FLK Sealing System

The cross-discipline solution for sealing in the floor-level range.



2.6 Marking off the surface to be sealed on the existing building waterproofing

blaugelb FLK Liquid must be applied with an overlap of 100 mm over the existing waterproofing on the building side.



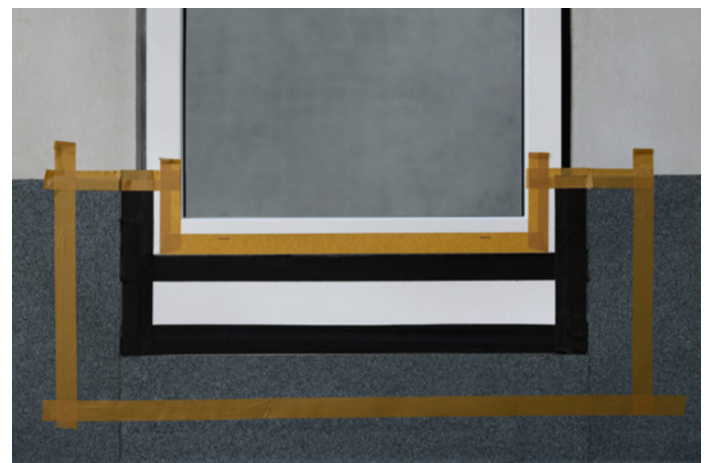
The 100 mm overlap starts from the existing building waterproofing and is marked with a pencil.



Now mask off the marked area using blaugelb FLK Masking Tape (25 or 50 mm), ensuring a clean and straight application. Press on the blaugelb FLK Masking Tape with the blaugelb Pressure Roller (item no. 9074068) to prevent water ingress from behind.



The figure shows the completed masking on an example window frame with plinth thermal insulation profile, installation in the supporting wall structure (monolithic installation).



Processing instructions for blaugelb FLK Sealing System

The cross-discipline solution for sealing in the floor-level range.

Now quickly work through Chapters 2.7 and 2.8 without taking any breaks.

The workstation for stirring the material must be covered with a suitable material (e.g. non-woven cloth) before starting the work in order to protect against soiling. Use personal protective equipment (gloves in accordance with EN ISO 374 and tightly sealed goggles).

2.7 Application of the first coat (base) of the blaugelb FLK Liquid

Step 1:

Open the container with the blaugelb FLK Liquid and stir well (at least 2 minutes). Use the blaugelb FLK Wood Stirrer for this.



Step 2:

Now fill the previously calculated quantity for the first coat that is required for the surface (0.9 kg/m^2) in the blaugelb FLK Bucket. A bucket filled completely with blaugelb FLK Liquid corresponds to 3 kg of the material. For 1 m^2 the bucket should therefore be one third full.

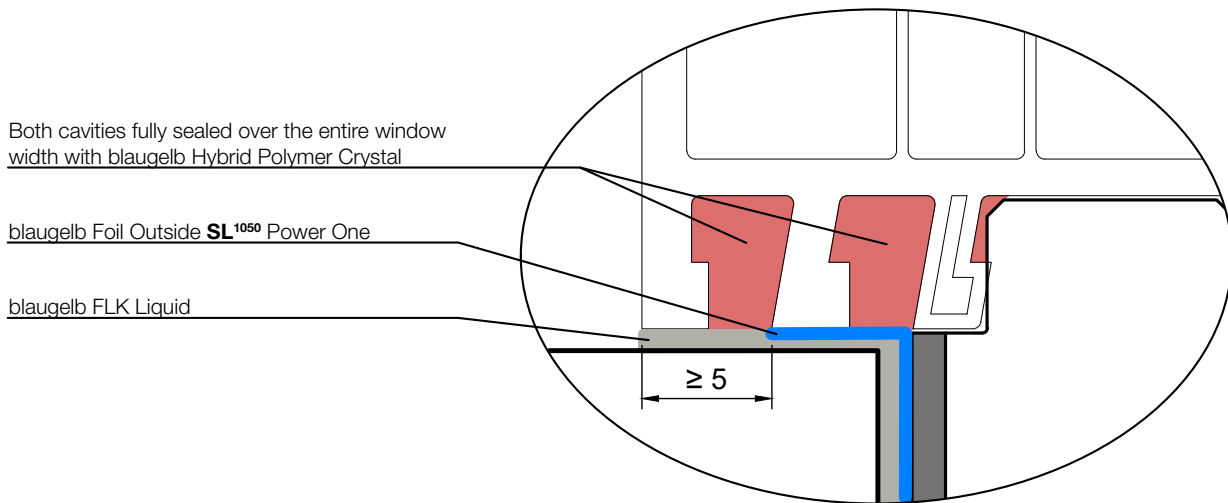


Step 3:

Start applying the blaugelb FLK Liquid in the corner at the left or the right. Make sure that the corner areas are carried out with particular care.

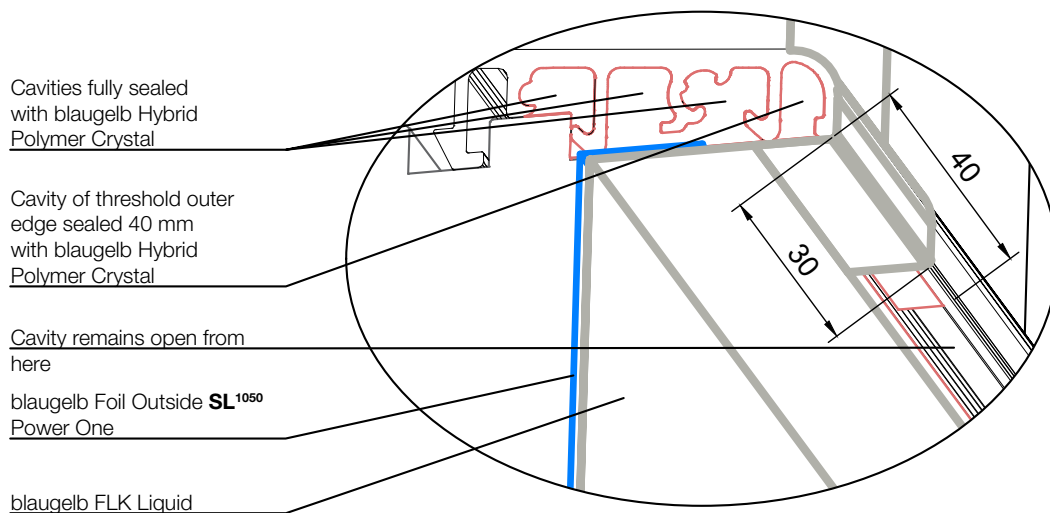
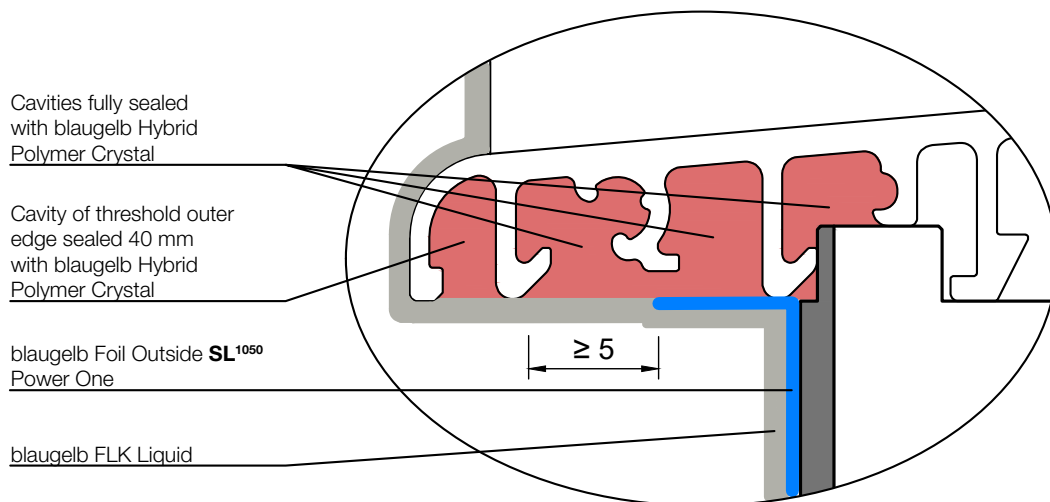
For window frames, the entire width is sealed with the liquid plastic blaugelb FLK Liquid, up to and including the front profile bar.

Window frame detail:



Important: For floor thresholds, sealing with the liquid plastic blaugelb FLK Liquid must be performed such that the water drip edge remains open. In the corner area of the front threshold cavity, only seal with blaugelb FLK Liquid to 30 mm from the outer edge of the corners.

Threshold details:



Processing instructions for blaugelb FLK Sealing System

The cross-discipline solution for sealing in the floor-level range.

Step 4:

Use the blaugelb FLK Brush to apply the material on the blaugelb Foil Outside **SL¹⁰⁵⁰** Power One (width 75 mm, item no. 9123143) and work it in well (amount 0.9 kg/m²). Apply the blaugelb FLK Liquid moderately. The foil can still show through. Apply it to the rest of the surface. Use up the amount filled in the bucket and spread it evenly.



Once the first coat is applied, quickly begin with the next step in Chapter 2.8.



2.8 Application of the second coat (surface coat) of the blaugelb FLK Liquid

Step 1:

Now apply an adequate surface coat of the blaugelb FLK Liquid (0.9 kg/m², stir it well, bucket 1/3 full).



Step 2:

You can use the blaugelb FLK Brush or even the blaugelb FLK Roller for this. Fully cover the coated surface. The blaugelb foil, all frame parts, expansions and the plinth thermal insulation profile must **not** show through. All surfaces must be sufficiently and evenly covered by material.



Tip: Stand up for a second and view the sealed surface from a slight distance. Changing your perspective quickly identifies any defects.

Step 3:

Now remove the masking with the blaugelb FLK Masking Tape again (in the reverse order). After removing the masking tape the edges of the sealed surface should have sharp contours:



Step 4:

The sealed surface can now be sanded with blaugelb Quartz Sand directly on the still-wet surface coat.



We recommend covering the sealed surface with an additional protective layer (e.g. plastic non-woven 300 g/m²) to protect it against mechanical abrasion (e.g. by stones) when the soil is deposited onto the plinth.

2.9 General notes

2.9.1 Measures in the event of work interruptions

In the event of soiling due to rain, dust etc. as well work interruptions of more than 12 hours on unsanded surfaces, the previously created surface must be reactivated with the blaugelb FLK Primer Liquid. Flash-off time at least 20 minutes.

If corrections must be carried out on sanded surfaces after more than 24 hours, the surface is to be swept off with a broom. blaugelb FLK Liquid can now be applied.

Transitions to existing seals must overlap by at least 100 mm.

2.9.2 Sudden rain within the reaction times

Try to protect the area against rain, e.g. by covering it with a plastic painting sheet. If it is not possible to cover it, dry the substrate after the rain stops, check the affected areas for defects and – if necessary – repeat the work step following appropriate pretreatment (see work interruption, Chap. 2.9.1).

2.9.3 Tool care

After completing the work or an extended work interruption, the tool must be thoroughly cleaned for additional work with the blaugelb Cleaner PVC-S10 UVA. Only use this cleaner for this. After cleaning, the tool can be used again after a flash-off time of approx. 20 to 25 minutes.

The blaugelb FLK Bucket, the blaugelb FLK Wood Stirrer, the blaugelb FLK Brush and the blaugelb FLK Roller are consumables (disposable).

Processing instructions for blaugelb FLK Sealing System

The cross-discipline solution for sealing in the floor-level range.

3. Article overview

Product name	PU	Item no.
blaugelb FLK Liquid 7 kg	7 kg bucket	9143708
blaugelb FLK Liquid 14 kg	14 kg bucket	9143707
blaugelb FLK Primer PVC Hard	0.6 kg plastic can	9143745
blaugelb FLK Primer Bitumen	10 kg bucket	9208134
blaugelb FLK Primer PVC Sheet	0.4 litre	9143746
blaugelb FLK Primer Special for EPDM FPO TPO EVA	0.5 l metal bottle	9143713
blaugelb FLK Bucket 2.5 L	1 piece	9143751
blaugelb FLK Toolbox	1 piece	9143752
blaugelb FLK Quartz Sand 25 kg	25 kg bag	9143749

Items from the blaugelb product range for installation:

Product name	PU	Item no.
blaugelb Foil Outside SL ¹⁰⁹⁰ Power One 75 mm single perforation	8 x 30 m	9123143
blaugelb Hybrid Polymer Crystal 290 ml crystal clear	12 cartridges	0426600
blaugelb Pressure Roller	6 pieces	9074068
blaugelb Cleaning Wipes	Box with 80 pieces	0241602
blaugelb Cleaner PVC-S10 UVA	1000 ml	0008430

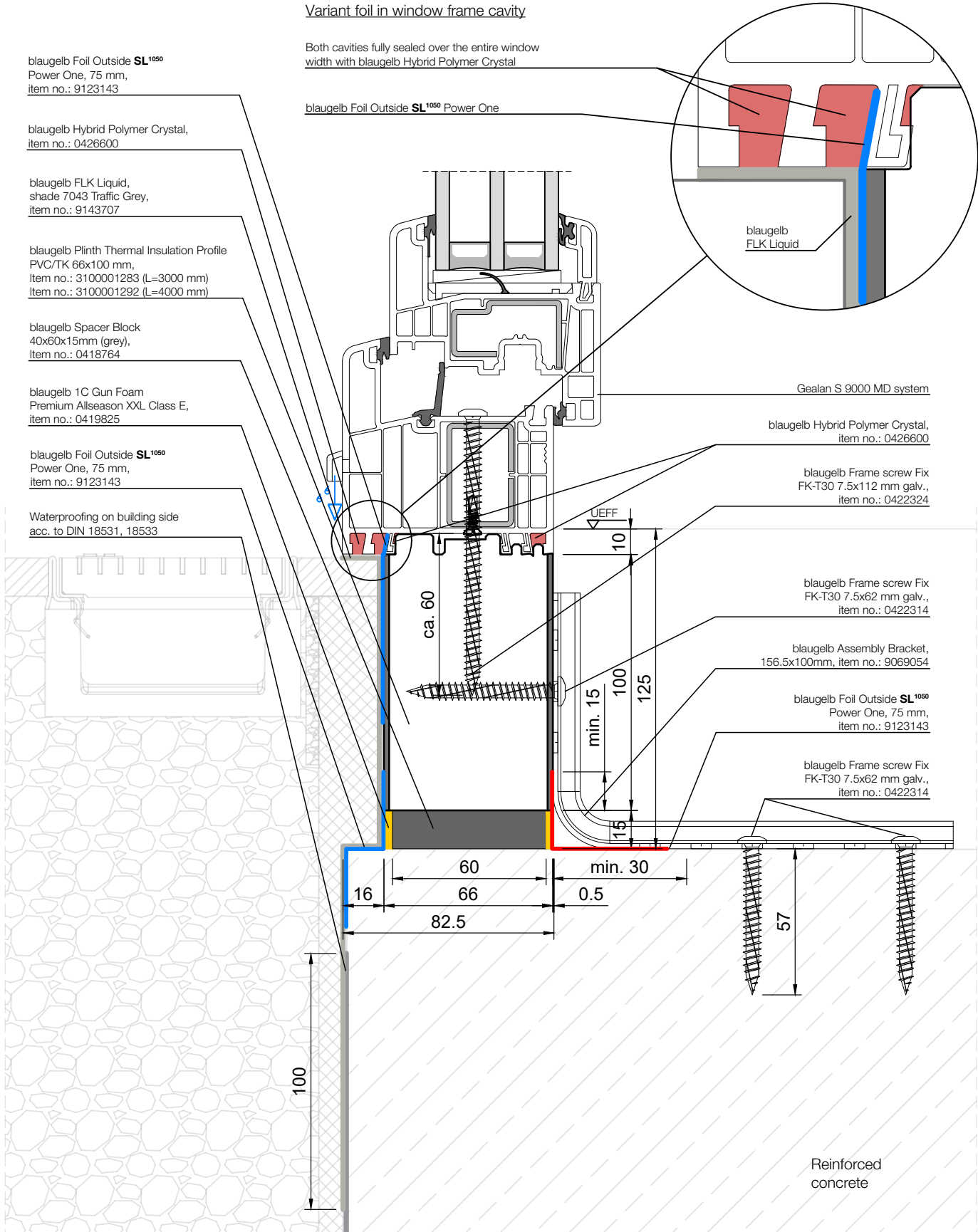
Individual items for reordering:

Product name	PU	Item no.
blaugelb FLK Brush	1 piece	9210500
blaugelb FLK Roller	1 piece	9210501
blaugelb FLK Roller Handle	1 piece	9143755
blaugelb FLK Masking Tape 25 mm	1 roll	9143756
blaugelb FLK Masking Tape 50 mm	1 roll	9143757
blaugelb FLK Wood Stirrer	1 piece	9210502
blaugelb FLK Right Scissors	1 piece	9143759
blaugelb FLK Left Scissors	1 piece	9143760

4. Appendix

4.1 Technical detail in the supporting wall structure: Preparation at the factory

Appendix 1: blaugelb connection detail: Window frame; blaugelb Plinth Thermal Insulation Profile PVC/TK; foil in window frame cavity; floor-level connection

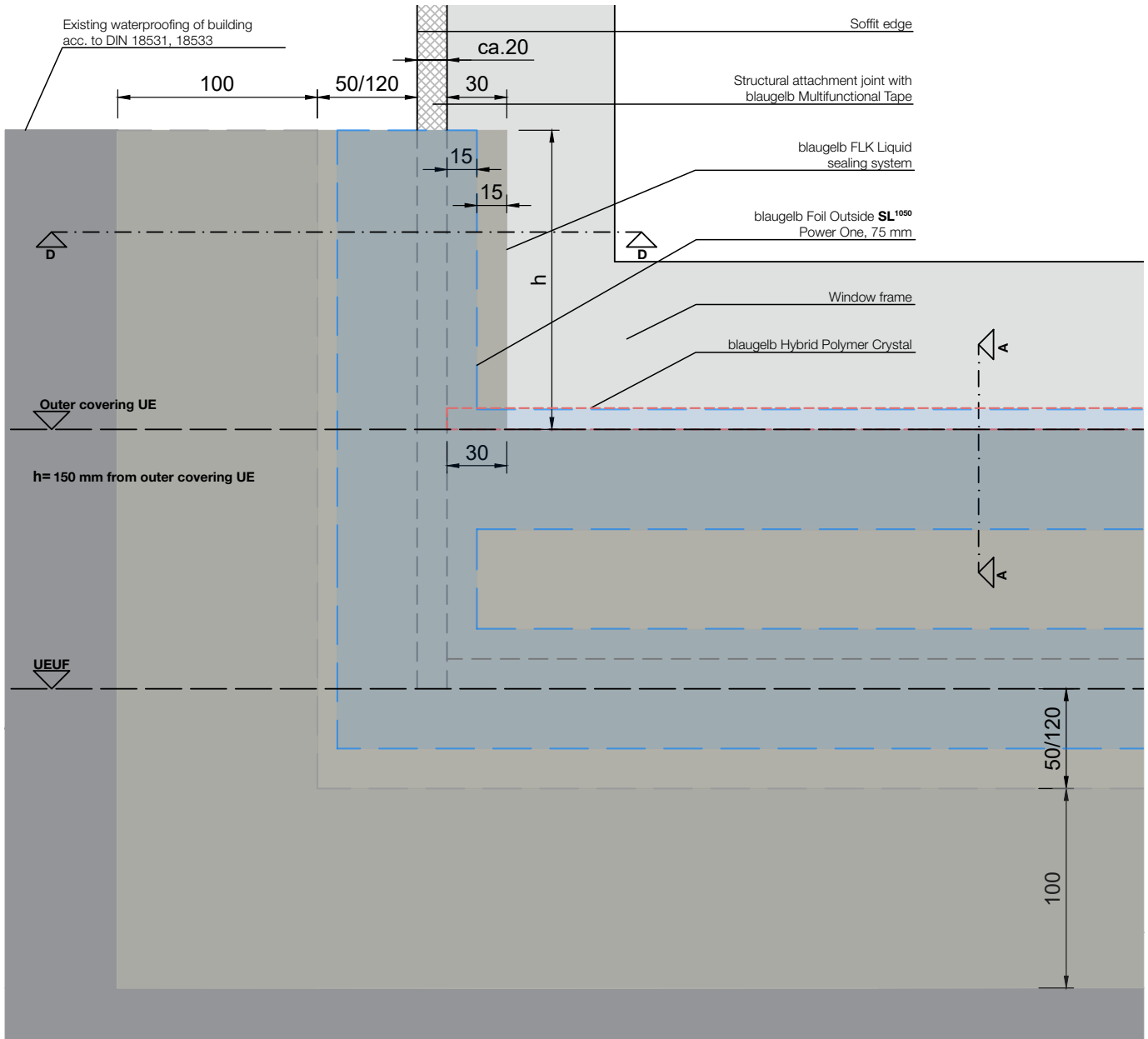


Processing instructions for blaugelb FLK Sealing System

The cross-discipline solution for sealing in the floor-level range.

Appendix 2:

blaugelb connection detail: Foil in window frame cavity; floor-level connection; front view

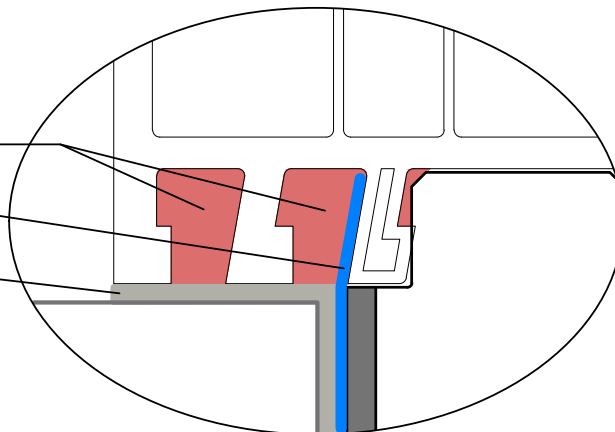


Section A-A

Both cavities fully sealed over the entire window width with blaugelb Hybrid Polymer Crystal

blaugelb Foil Outside **SL¹⁰⁵⁰** Power One

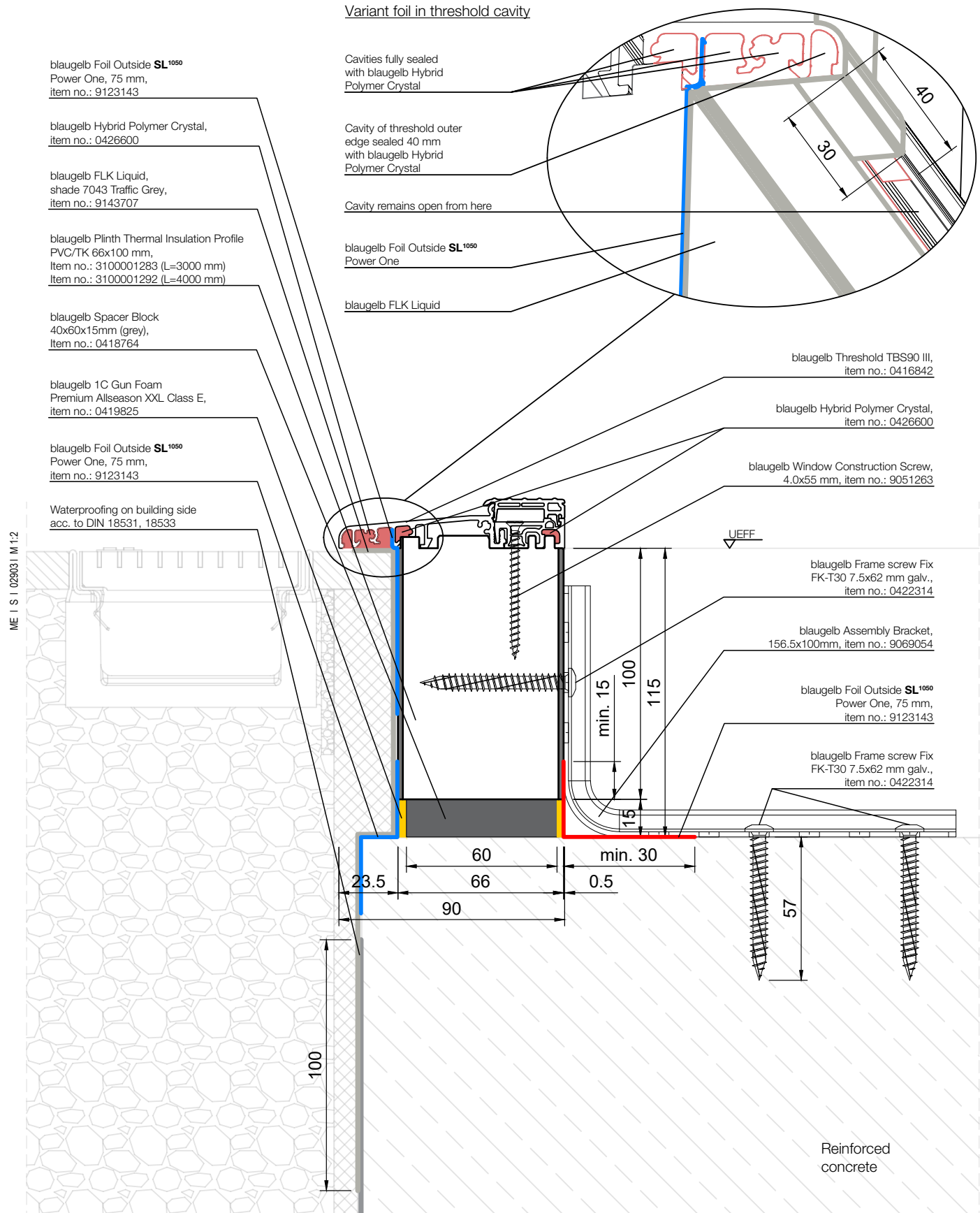
blaugelb FLK Liquid



Appendix 3:

blaugelb connection detail: Threshold; blaugelb Plinth Thermal Insulation Profile PVC/TK; foil in threshold cavity; floor-level connection

Variant foil in threshold cavity



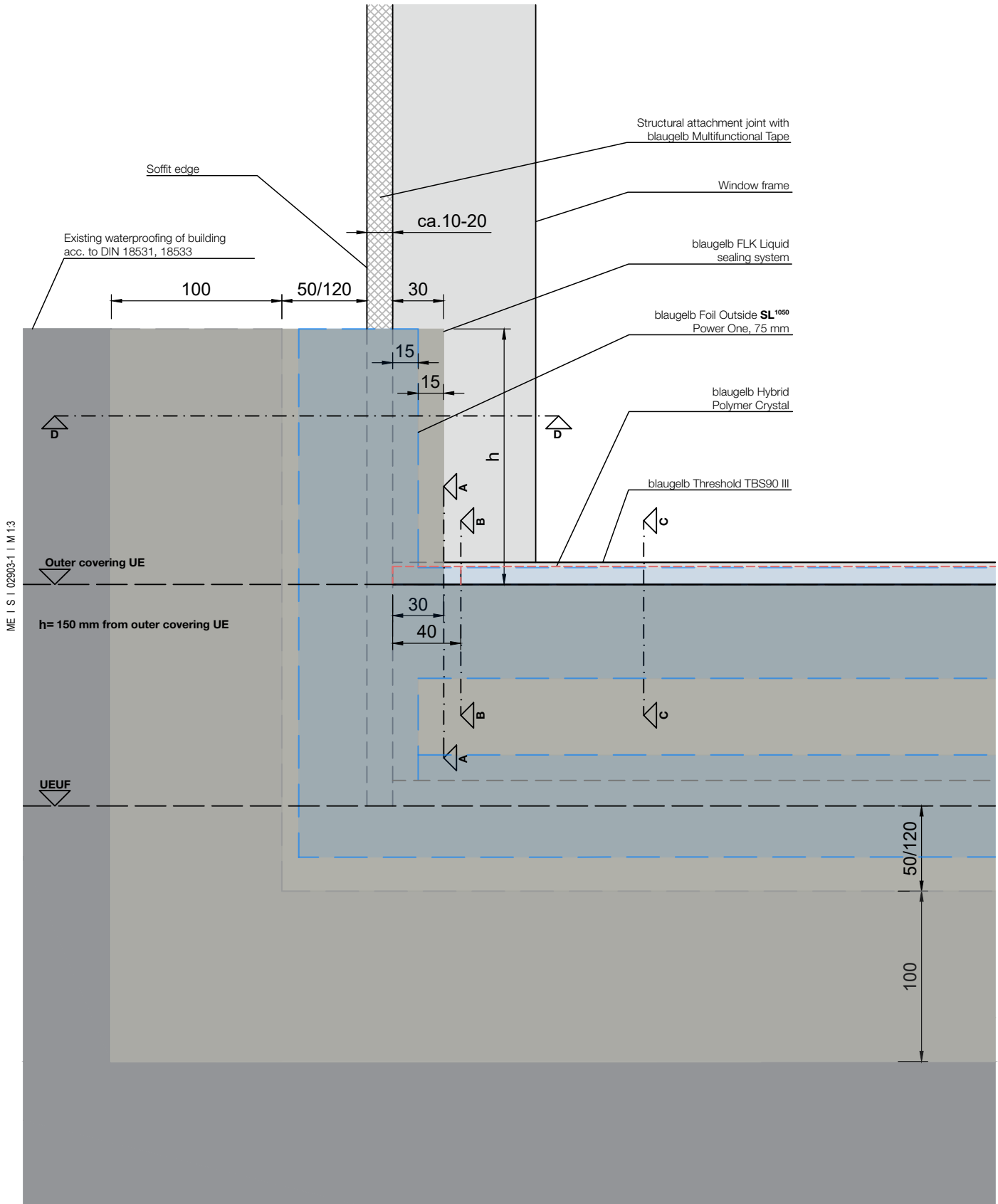
ME I S | 029031 M 12

Processing instructions for blaugelb FLK Sealing System

The cross-discipline solution for sealing in the floor-level range.

Appendix 4:

blaugelb connection detail: Foil in threshold cavity; floor-level connection; front view

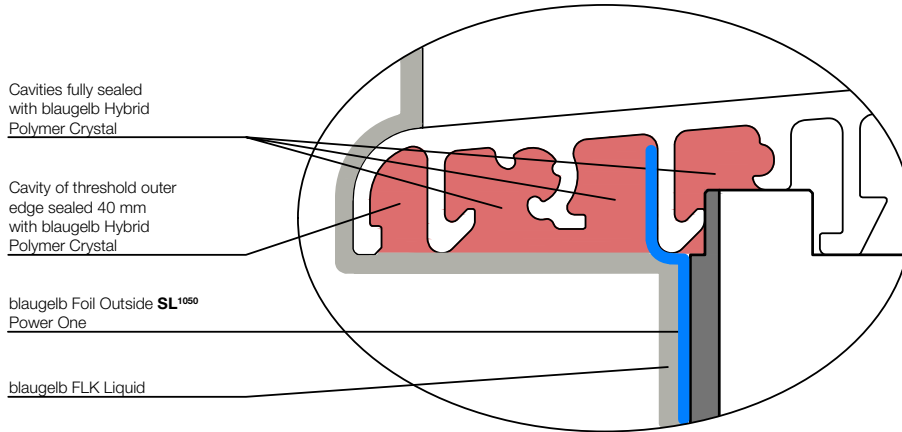


ME I S | 02903-1 | M 13

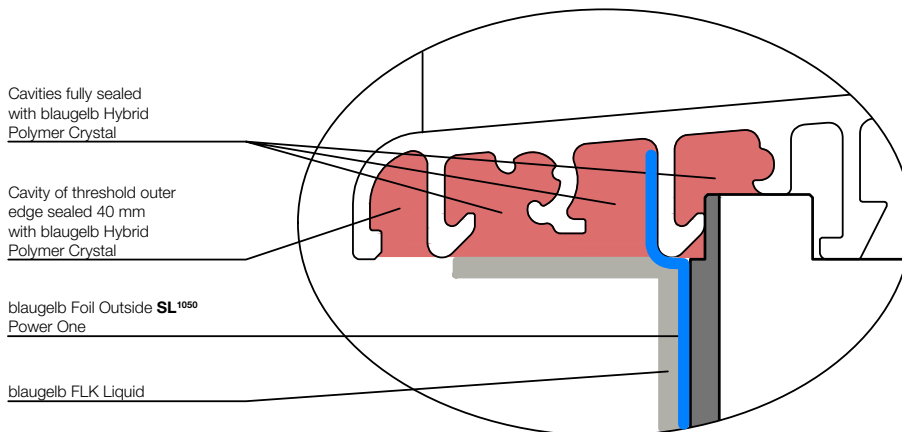
Appendix 5:

blaugelb connection detail: Foil in threshold cavity; floor-level connection; sectional drawings

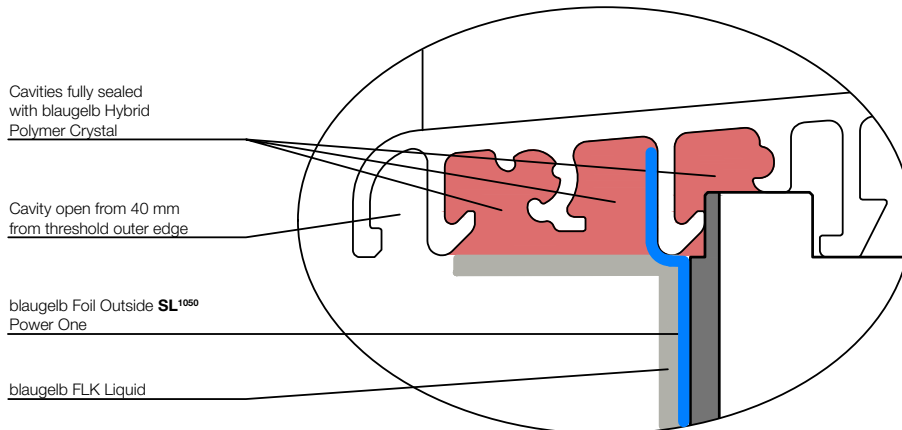
Section A-A



Section B-B



Section C-C



ME | S | 02903-2 | IM 2-1

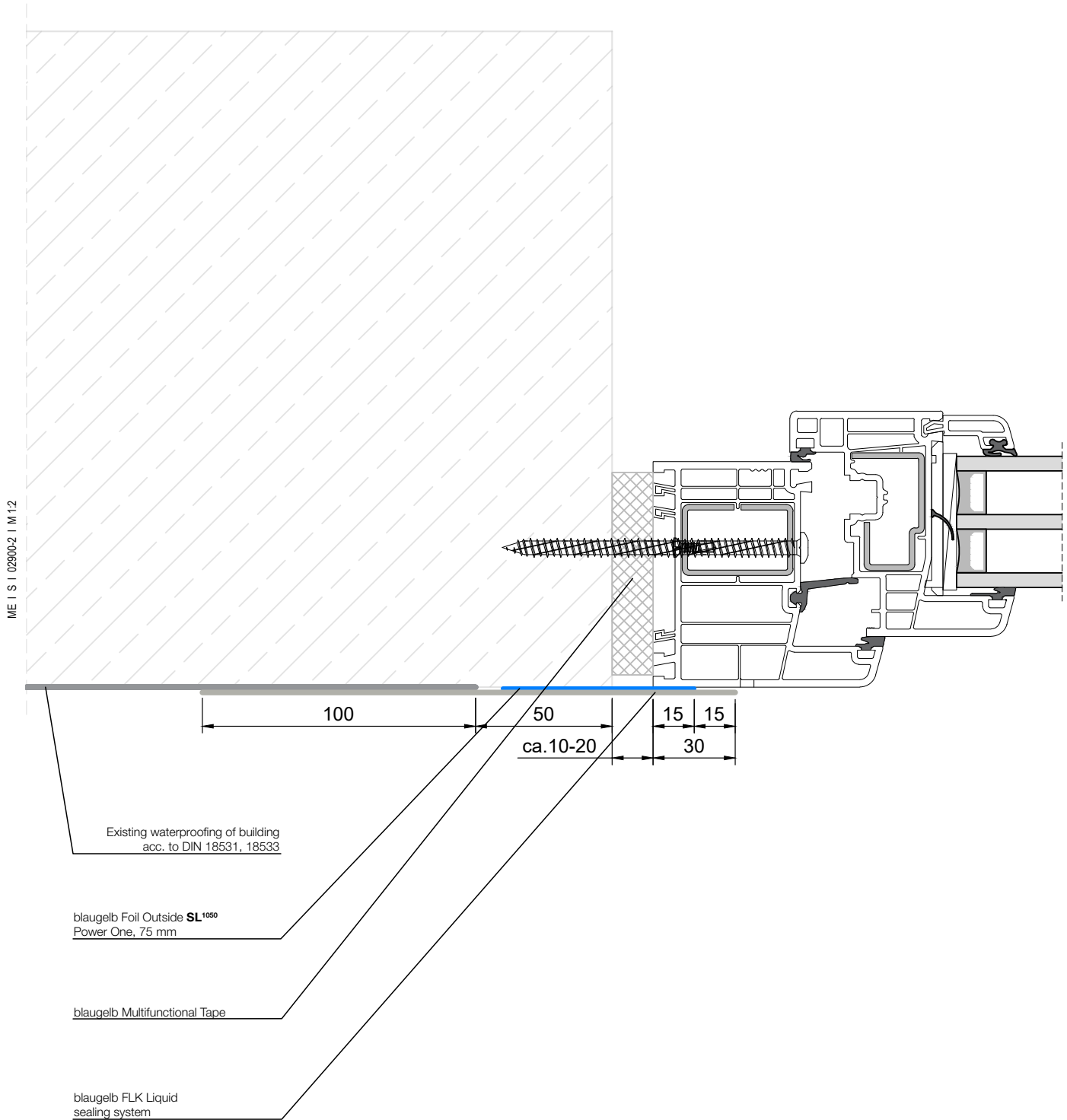
Processing instructions for blaugelb FLK Sealing System

The cross-discipline solution for sealing in the floor-level range.

Appendix 6:

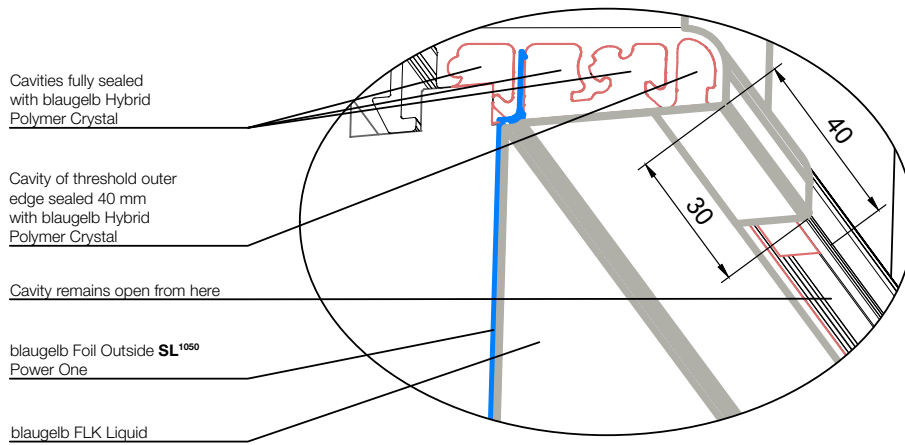
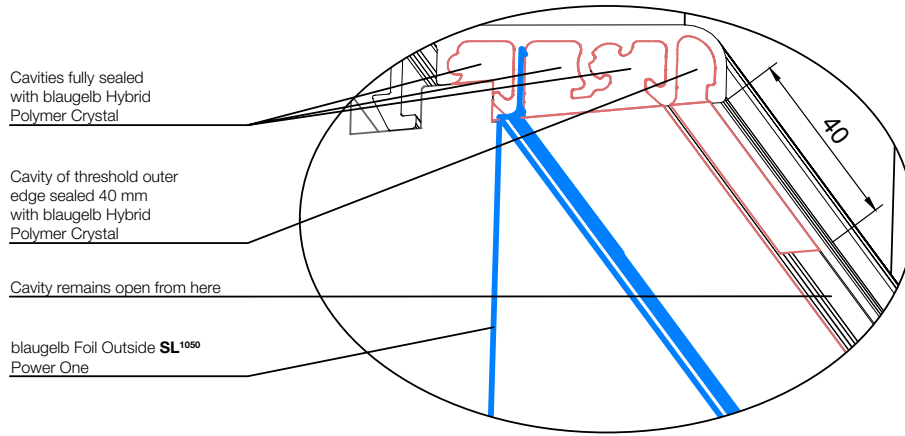
blaugelb connection detail: Foil in threshold cavity; floor-level connection; sectional drawings; window frame flush with outside

Section D-D



Appendix 7

blaugelb connection detail: Foil in threshold cavity; floor-level connection; 3D view



ME | S | 02903-3 | M 2:1

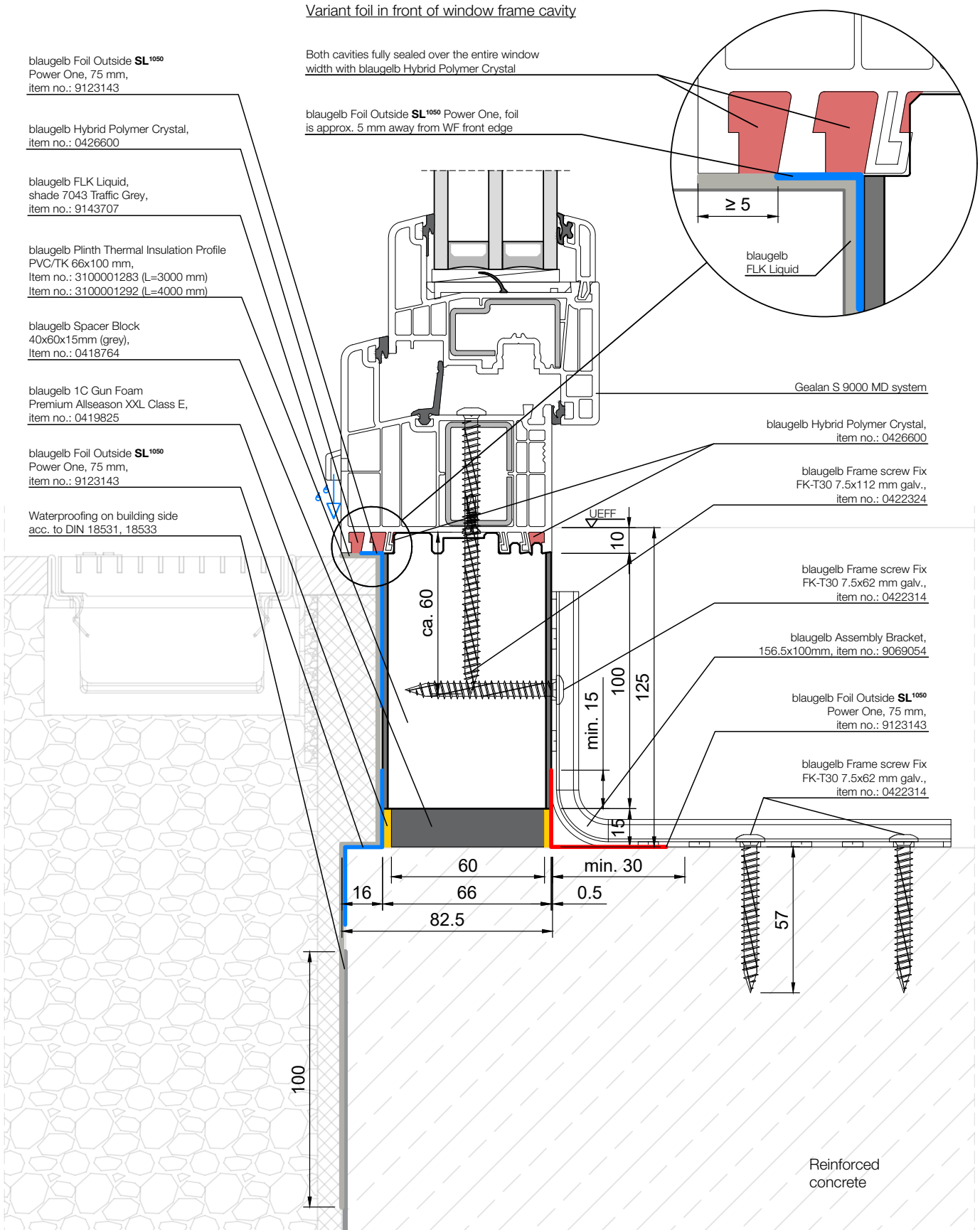
Processing instructions for blaugelb FLK Sealing System

The cross-discipline solution for sealing in the floor-level range.

4.2 Technical detail in the supporting wall structure: Preparation at the construction site

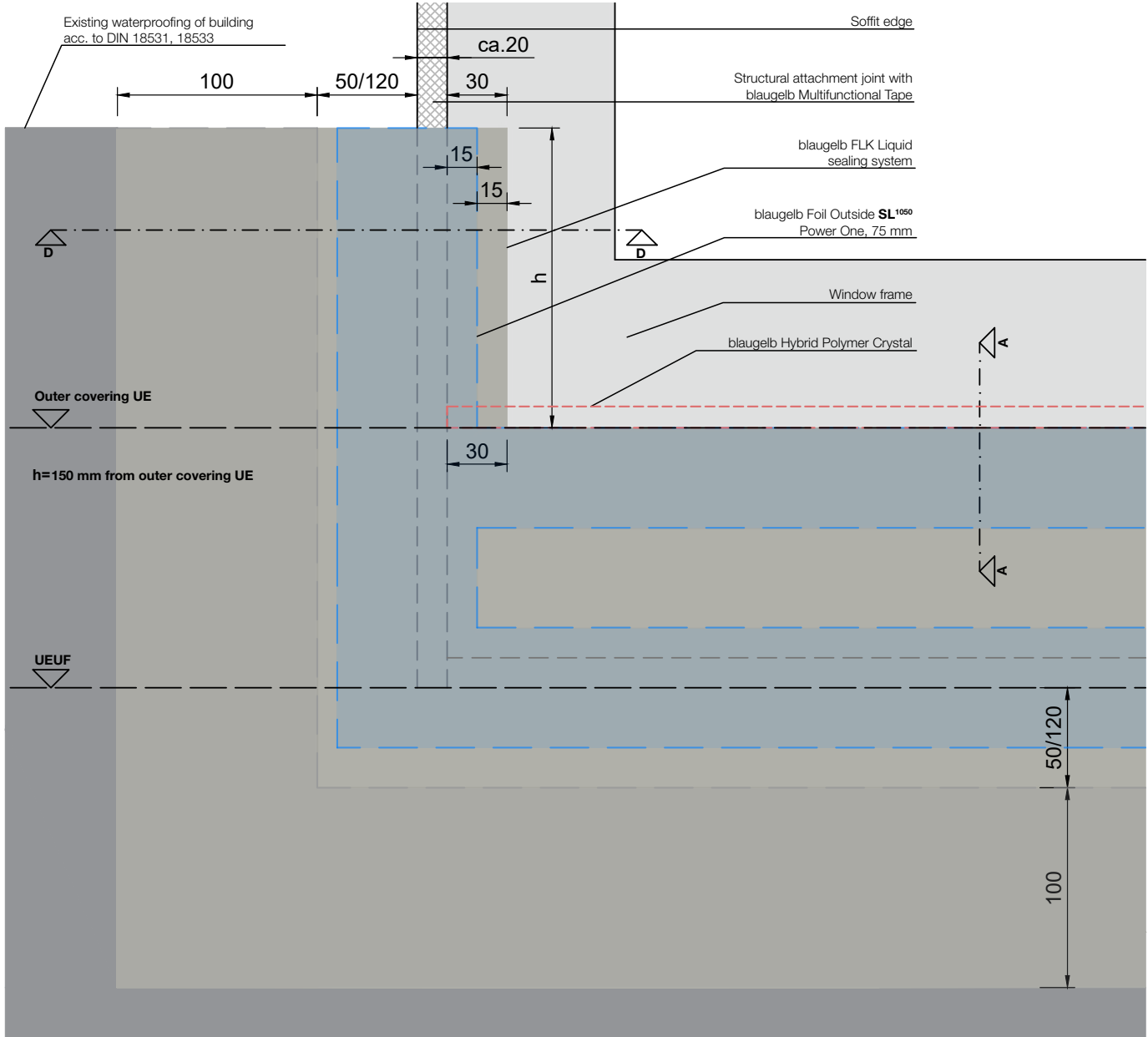
Appendix 8:

blaugelb connection detail: Window frame; blaugelb Plinth Thermal Insulation Profile PVC/TK; foil in window frame cavity; floor-level connection



Appendix 9:

blaugelb connection detail: Foil in front of window frame cavity; floor-level connection; front view

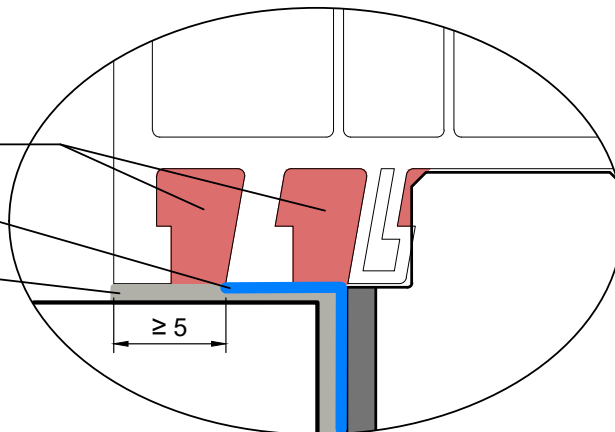


Section A-A

Both cavities fully sealed over the entire window width with blaugelb Hybrid Polymer Crystal

blaugelb Foil Outside **SL¹⁰⁵⁰** Power One

blaugelb FLK Liquid

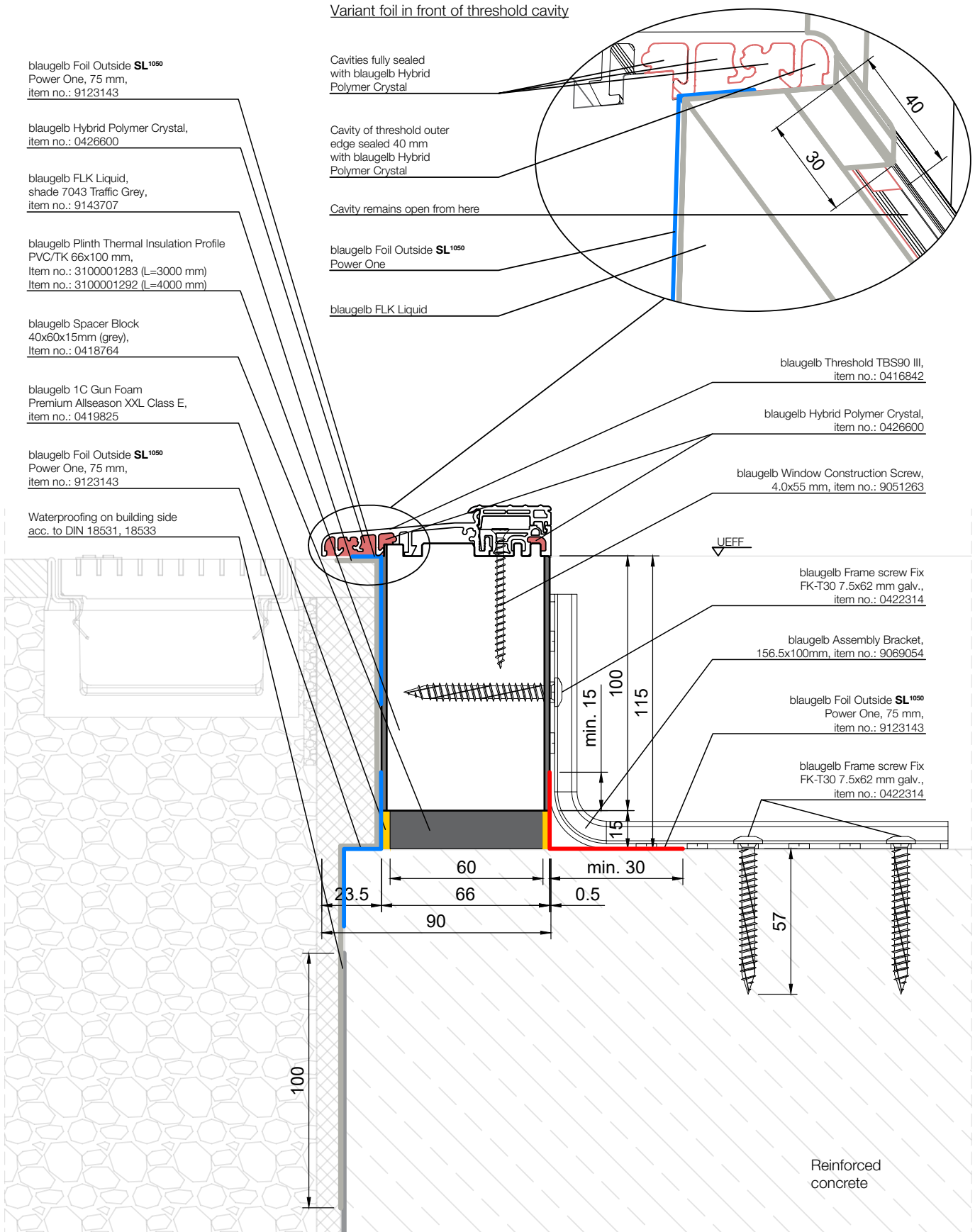


Processing instructions for blaugelb FLK Sealing System

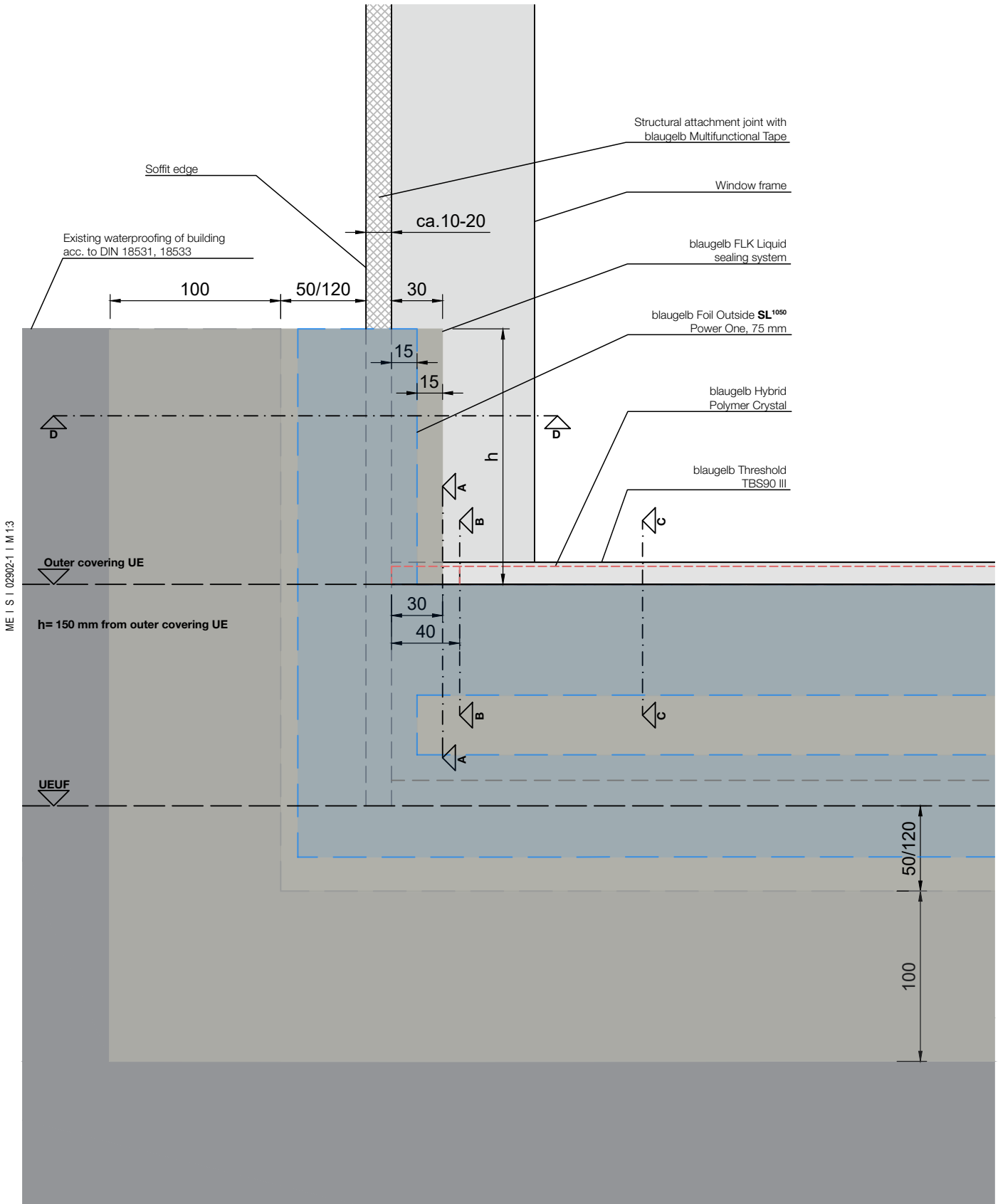
The cross-discipline solution for sealing in the floor-level range.

Appendix 10:

blaugelb connection detail: Threshold; blaugelb Plinth Thermal Insulation Profile PVC/TK; foil in front of threshold cavity; floor-level connection



Appendix 11:
 blaugelb connection detail: Foil in front of threshold cavity; floor-level connection; front view



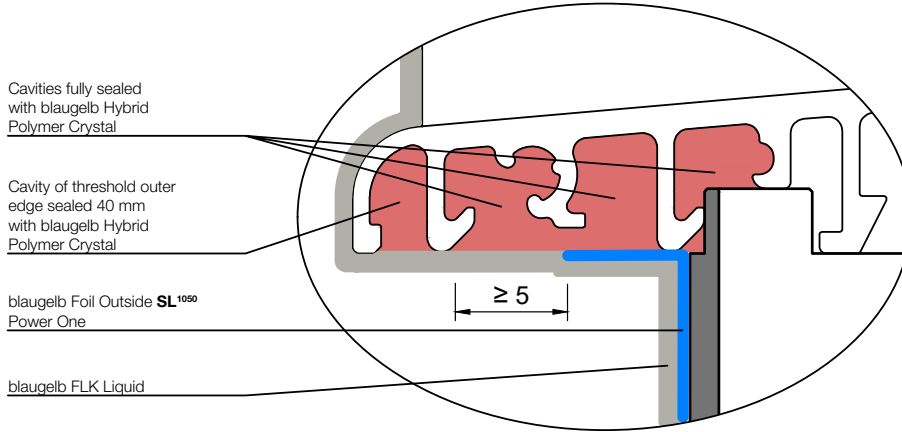
Processing instructions for blaugelb FLK Sealing System

The cross-discipline solution for sealing in the floor-level range.

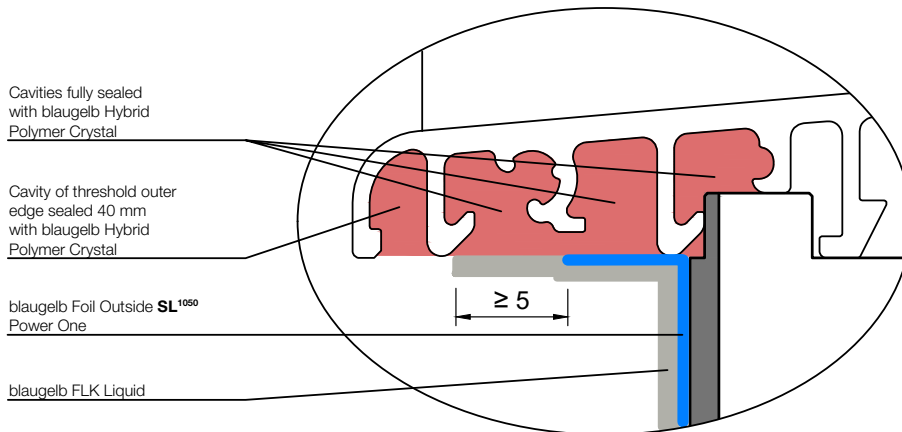
Appendix 12:

blaugelb connection detail: Foil in front of threshold cavity; floor-level connection; sectional drawings

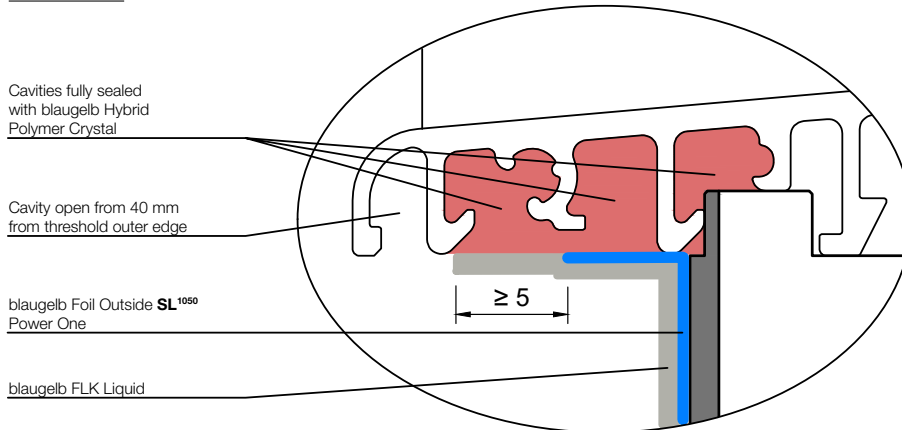
Section A-A



Section B-B



Section C-C

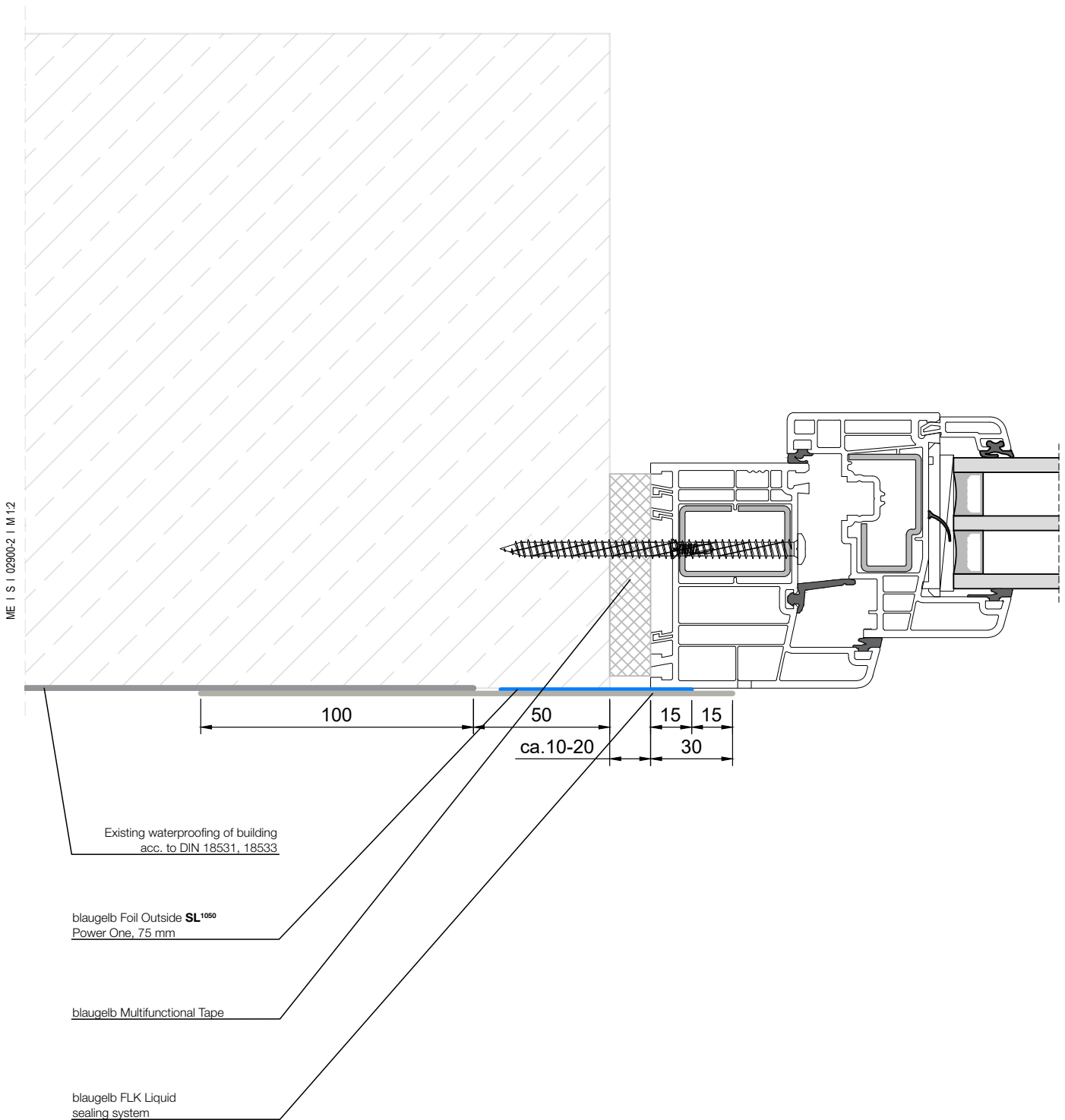


ME I S | 029022 | M 2:1

Appendix 13:

blaugelb connection detail: Foil in front of threshold cavity; floor-level connection; sectional drawings; window frame flush with outside

Section **D-D**

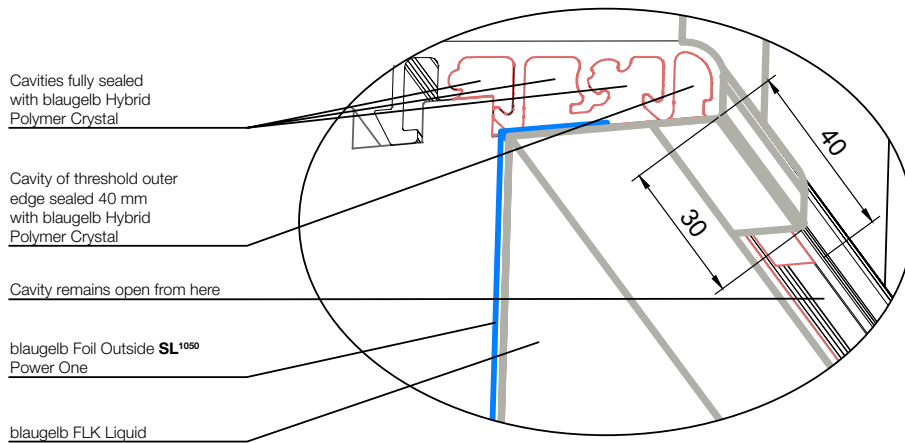
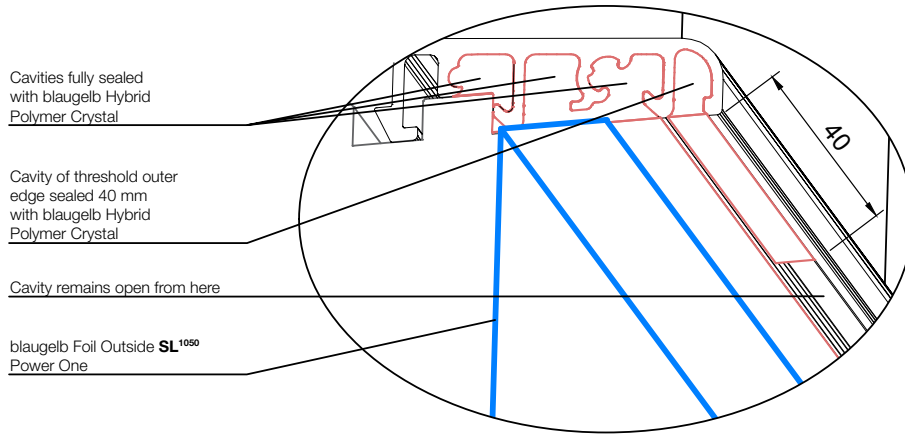


Processing instructions for blaugelb FLK Sealing System

The cross-discipline solution for sealing in the floor-level range.

Appendix 14:

blaugelb connection detail: Foil in front of threshold cavity; floor-level connection; 3D view



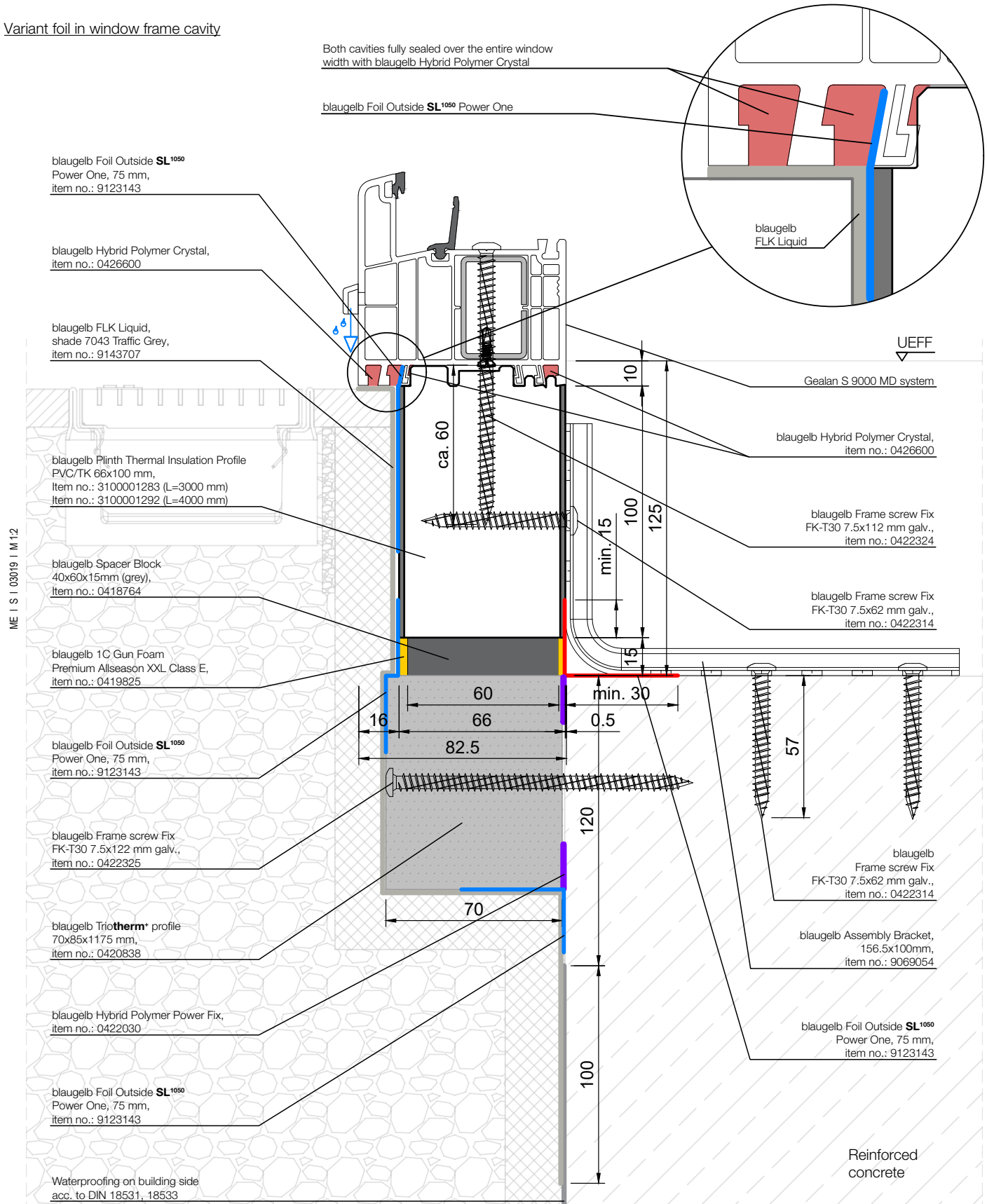
ME | S | 029023 | M 2:1

4.3 Technical detail in front of the supporting wall structure: Preparation at the factory

Appendix 15:

blaugelb connection detail: Window frame; blaugelb Plinth Thermal Insulation Profile PVC/TK; foil in window frame cavity; floor-level blaugelb Trio**therm**[®] System connection

Variant foil in window frame cavity

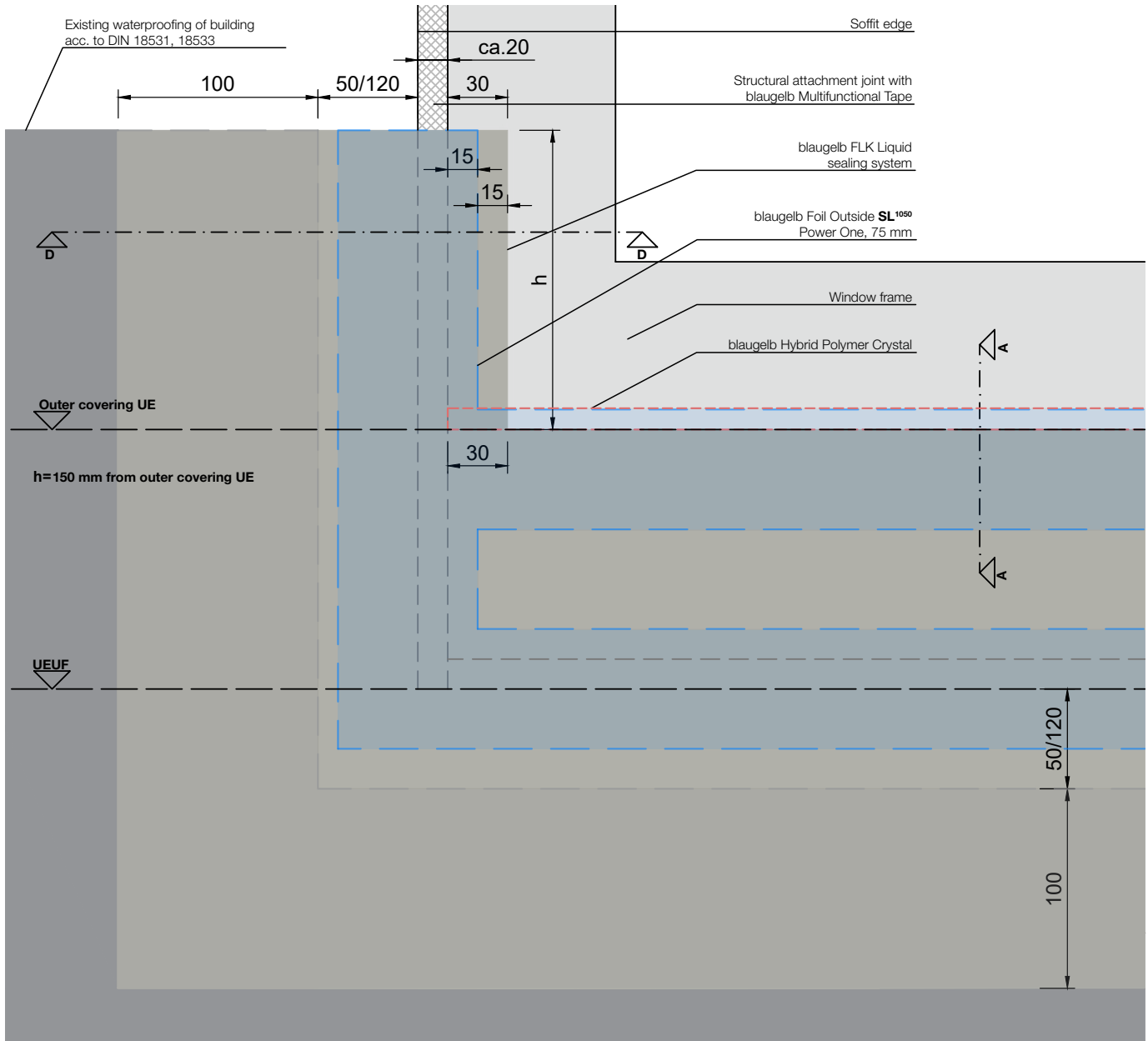


Processing instructions for blaugelb FLK Sealing System

The cross-discipline solution for sealing in the floor-level range.

Appendix 16:

blaugelb connection detail: Foil in window frame cavity; floor-level blaugelb Triotherm⁺ System connection; front view



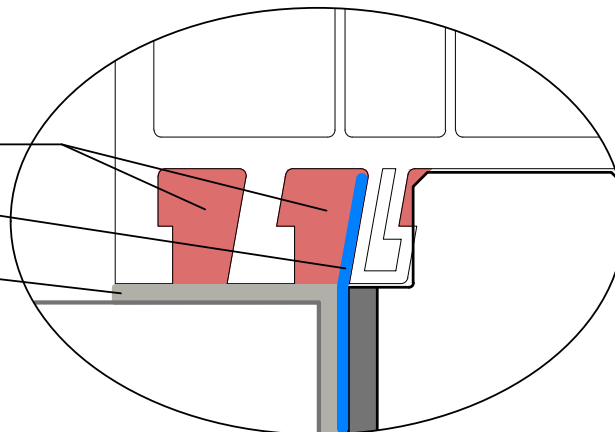
ME | S | 02901-1 | M 12

Section A-A

Both cavities fully sealed over the entire window width with blaugelb Hybrid Polymer Crystal

blaugelb Foil Outside SL¹⁰⁵⁰ Power One

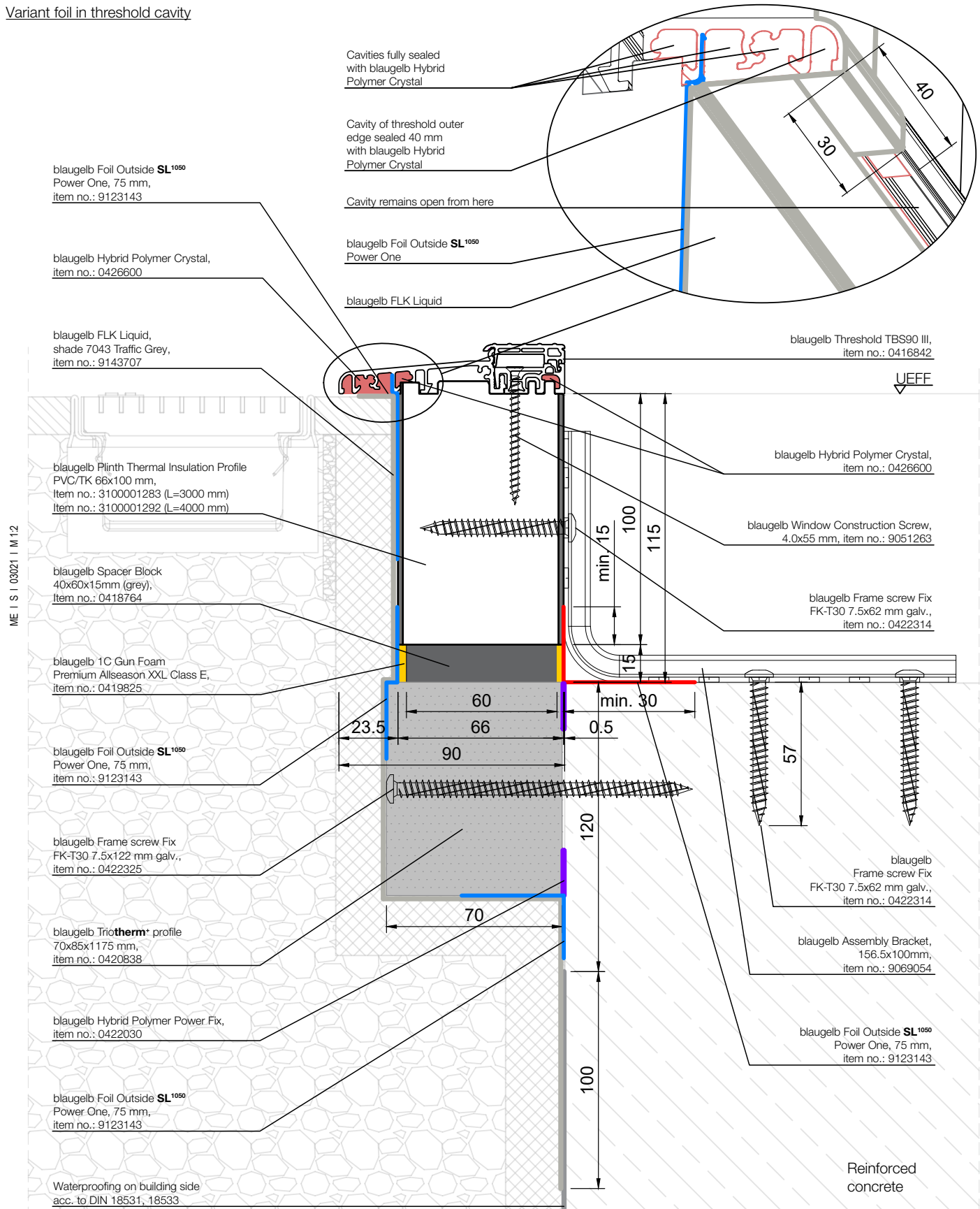
blaugelb FLK Liquid



Appendix 17:

blaugelb connection detail: Threshold; blaugelb Plinth Thermal Insulation Profile PVC/TK; foil in threshold cavity; floor-level blaugelb Triotherm⁺ System connection

Variant foil in threshold cavity



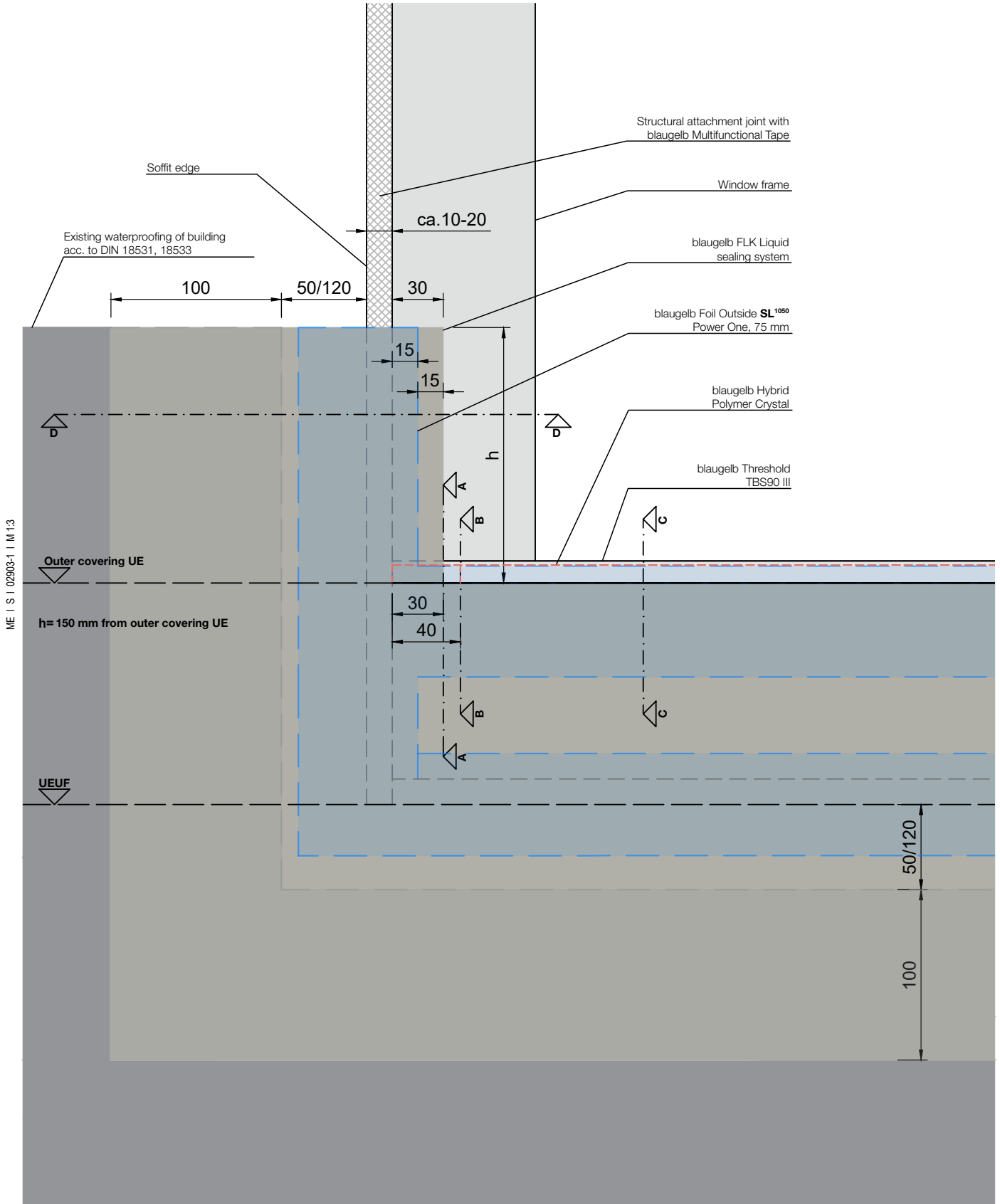
ME I S I 03021 I M 12

Processing instructions for blaugelb FLK Sealing System

The cross-discipline solution for sealing in the floor-level range.

Appendix 18:

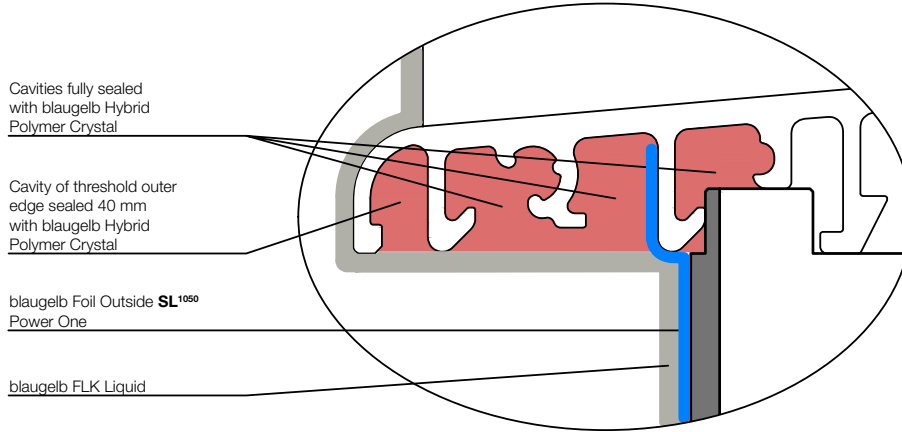
blaugelb connection detail: Foil in threshold cavity; floor-level blaugelb Trio**therm*** System connection; front view



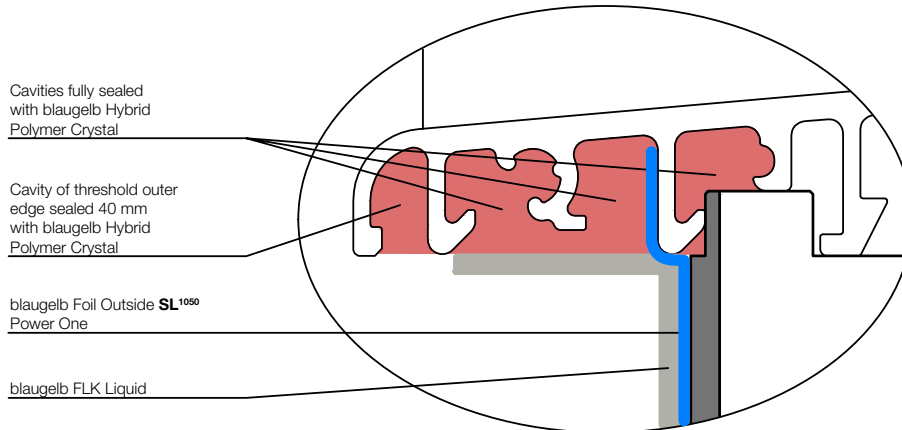
Appendix 19:

blaugelb connection detail: Foil in threshold cavity; floor-level blaugelb Trio**therm*** System connection; sectional drawings

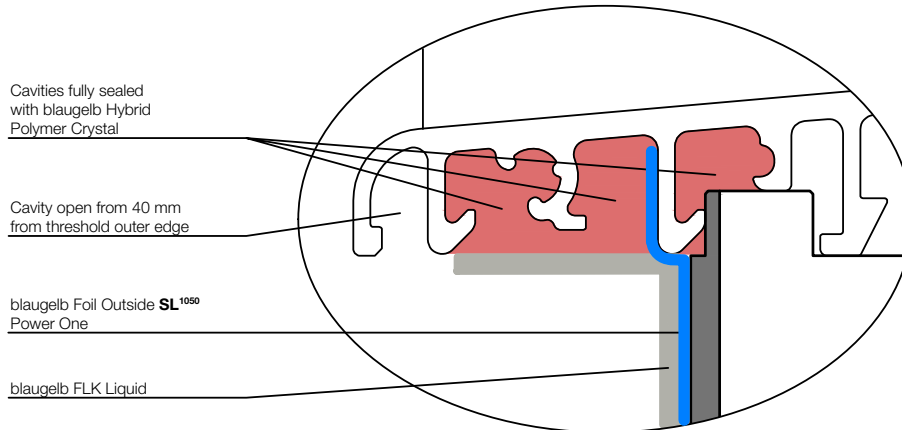
Section A-A



Section B-B



Section C-C



ME I S | 02903-2 | M 2:1

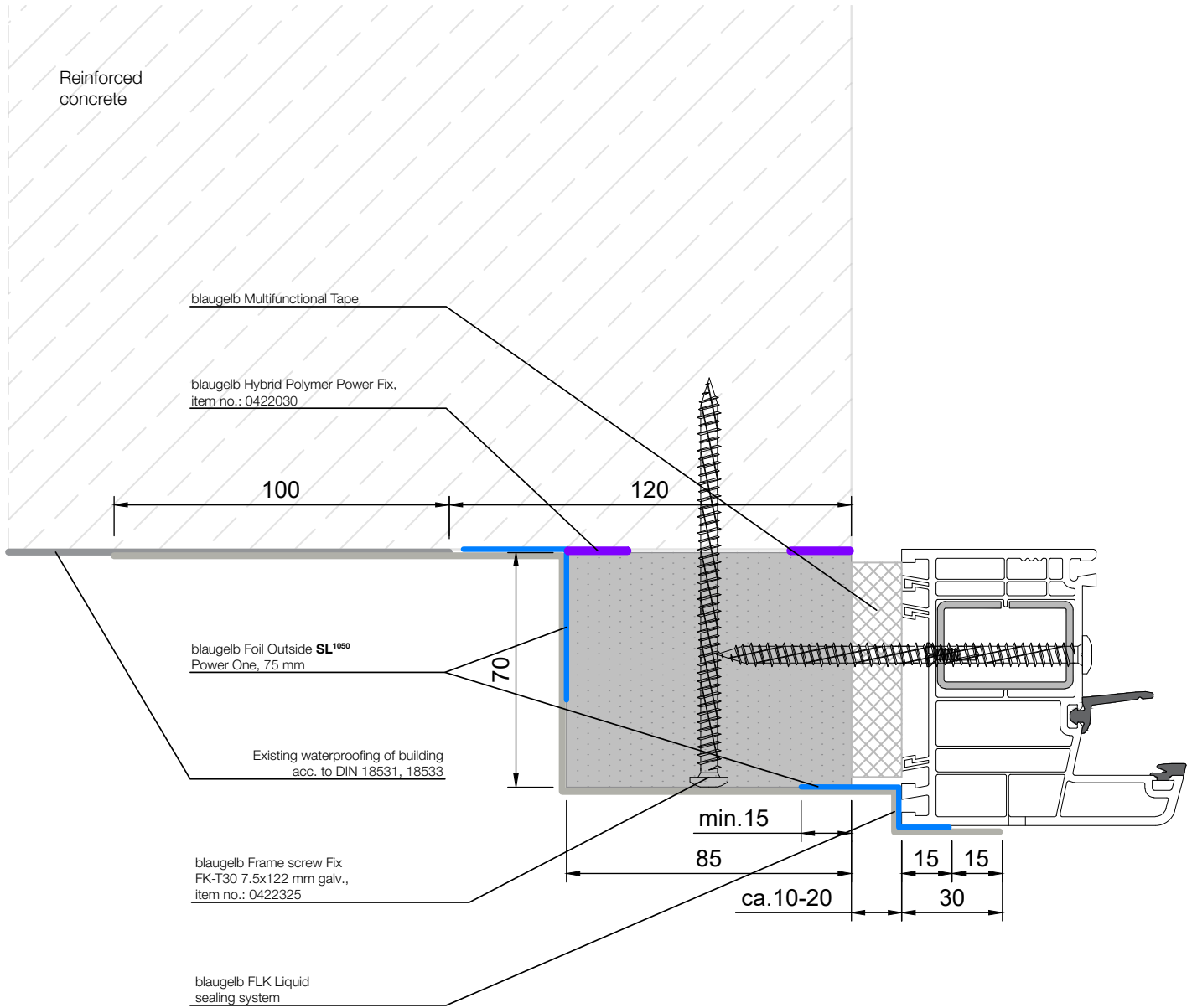
Processing instructions for blaugelb FLK Sealing System

The cross-discipline solution for sealing in the floor-level range.

Appendix 20:

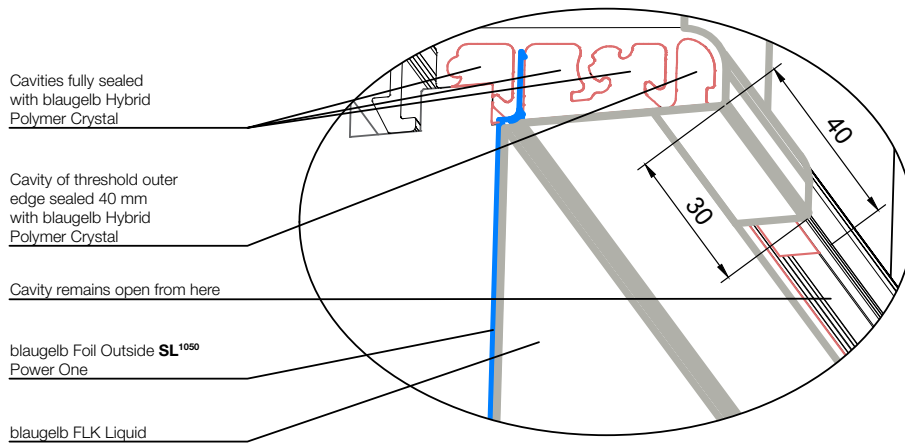
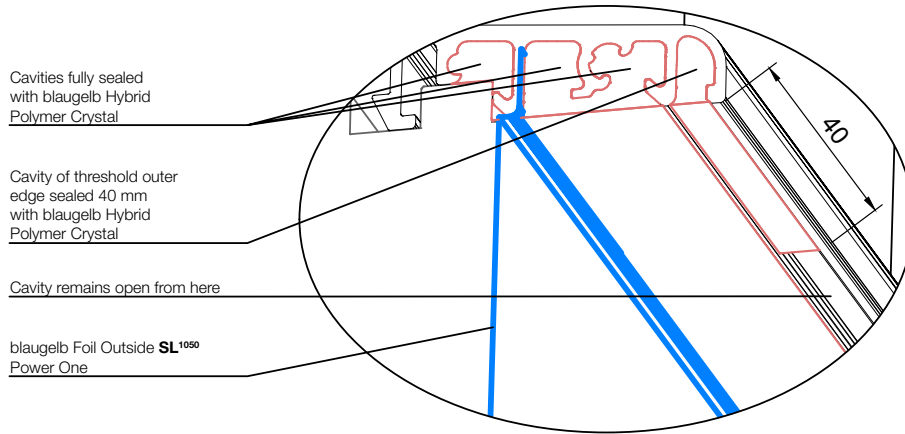
blaugelb connection detail: Foil in threshold cavity; blaugelb Trio**therm**⁺ System 70 x 85 x 1175 mm; side connection; window frame flush with outside

Section D-D



Appendix 21:

blaugelb connection detail: Foil in threshold cavity; floor-level blaugelb Trio**therm*** System connection; 3D view



ME | S | 029033 | IM 2:1

Processing instructions for blaugelb FLK Sealing System

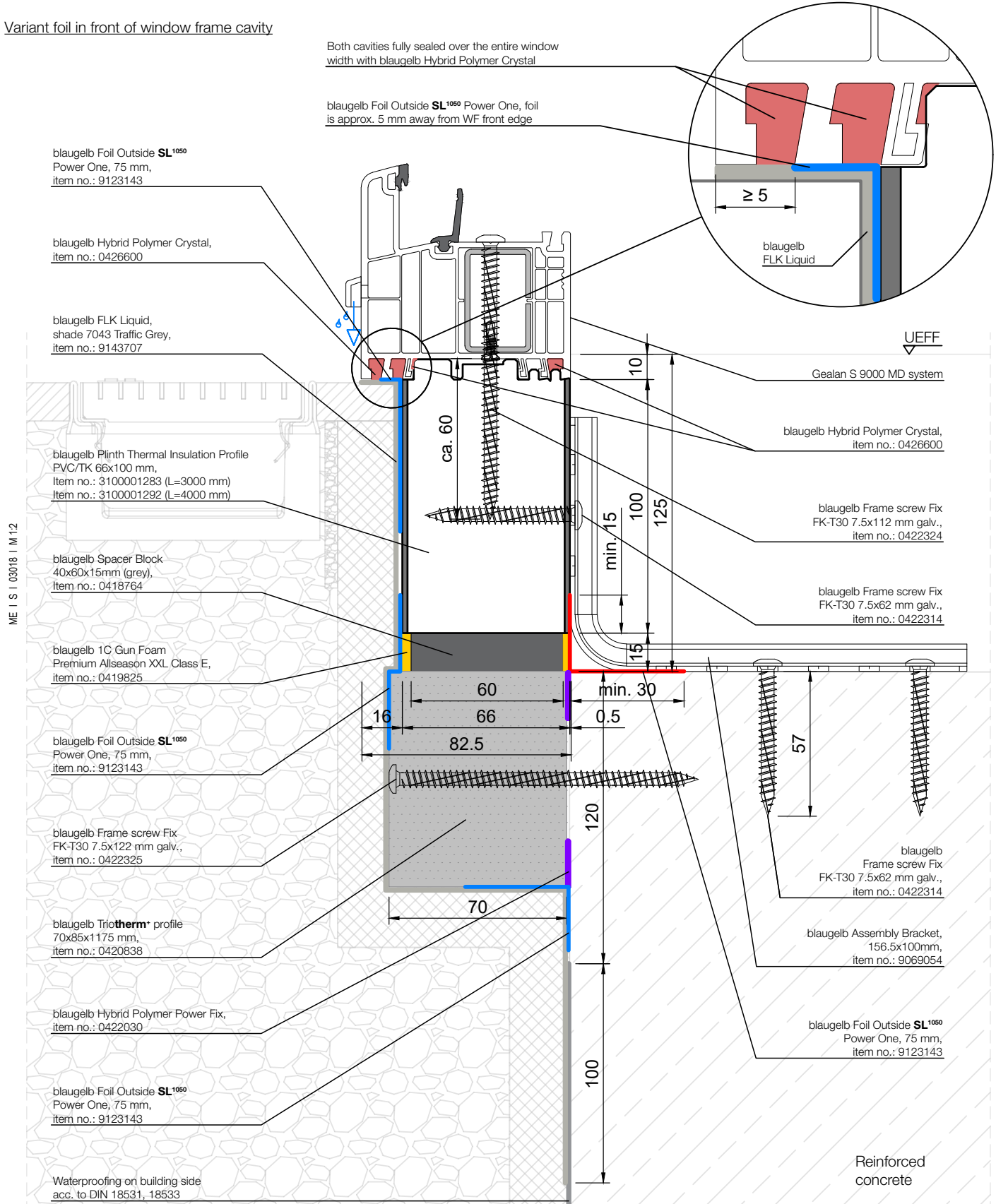
The cross-discipline solution for sealing in the floor-level range.

4.4 Technical detail in front of the supporting wall structure: Preparation at the construction site

Appendix 22:

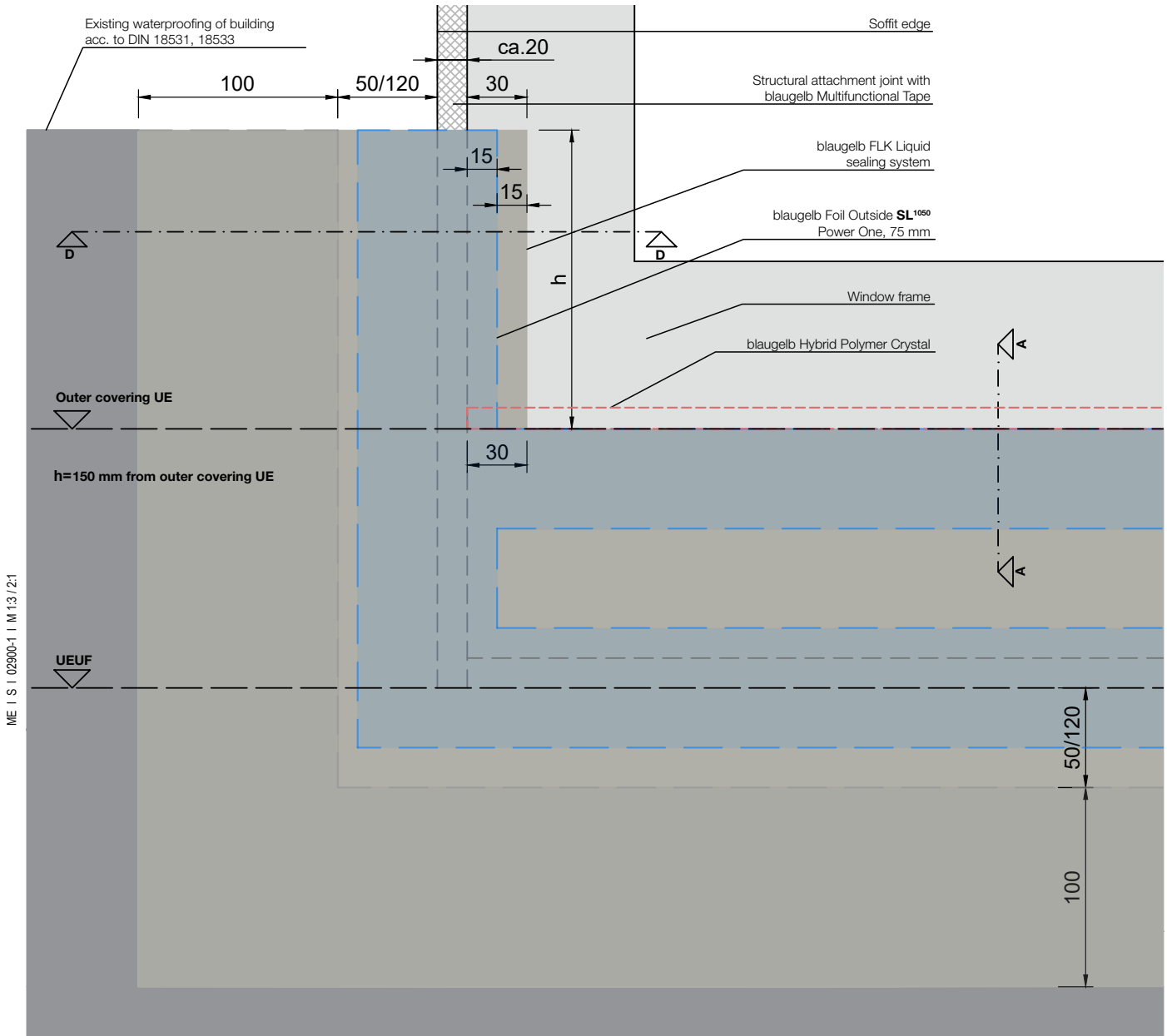
blaugelb connection detail: Window frame; blaugelb Plinth Thermal Insulation Profile PVC/TK; foil in front of window frame cavity; floor-level blaugelb Trio**therm*** System connection

Variant foil in front of window frame cavity



Appendix 23:

blaugelb connection detail: Foil in front of window frame cavity; floor-level blaugelb Trio**therm**® System connection; front view



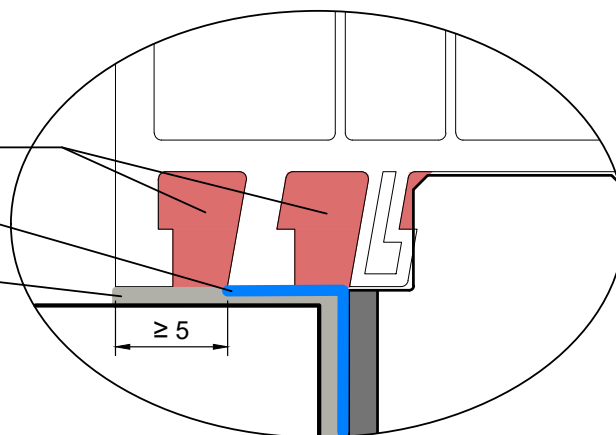
ME | S | 02900-1 | M 13 / 21

Section **A-A**

Both cavities fully sealed over the entire window width with blaugelb Hybrid Polymer Crystal

blaugelb Foil Outside **SL**¹⁰⁵⁰ Power One

blaugelb FLK Liquid



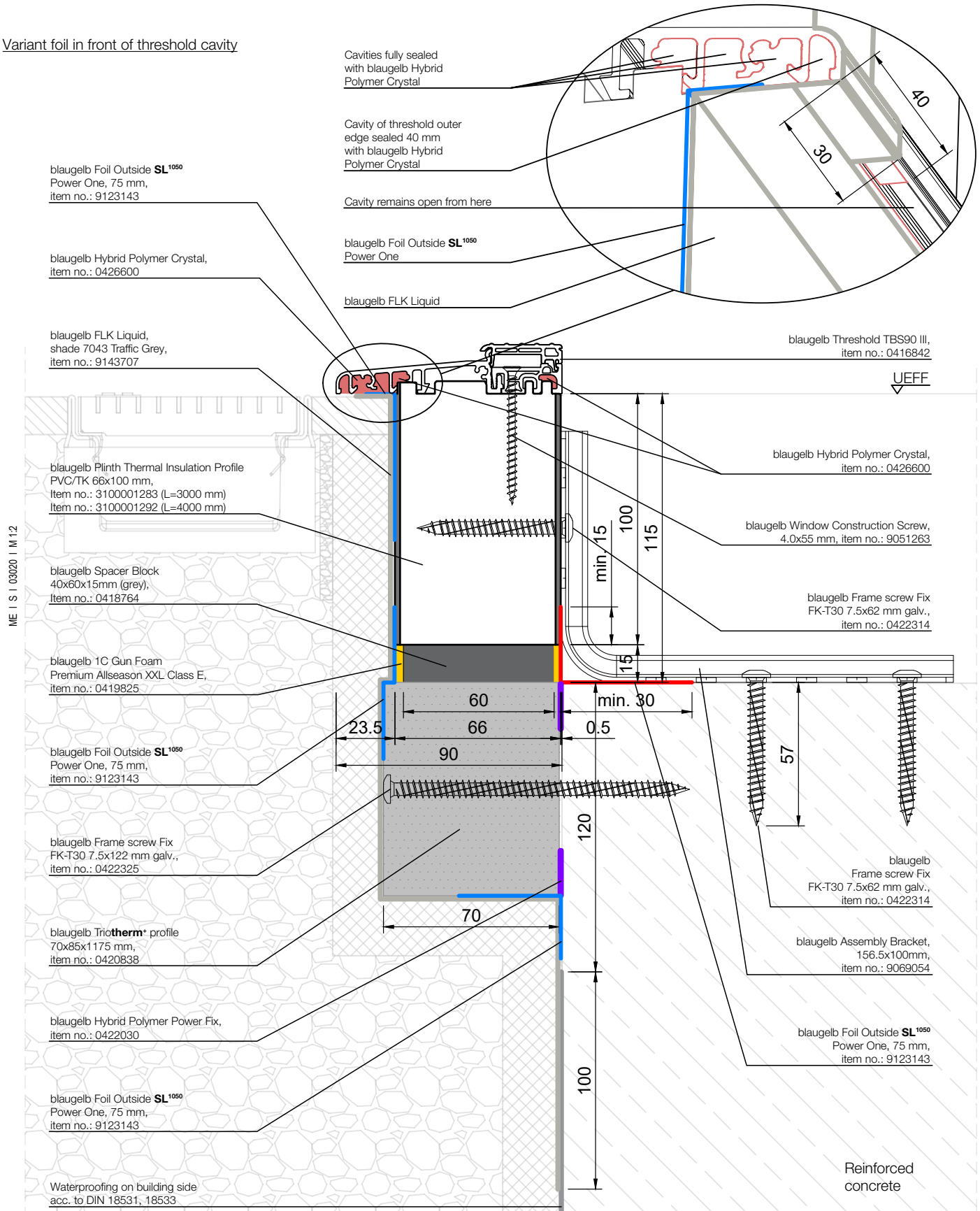
Processing instructions for blaugelb FLK Sealing System

The cross-discipline solution for sealing in the floor-level range.

Appendix 24:

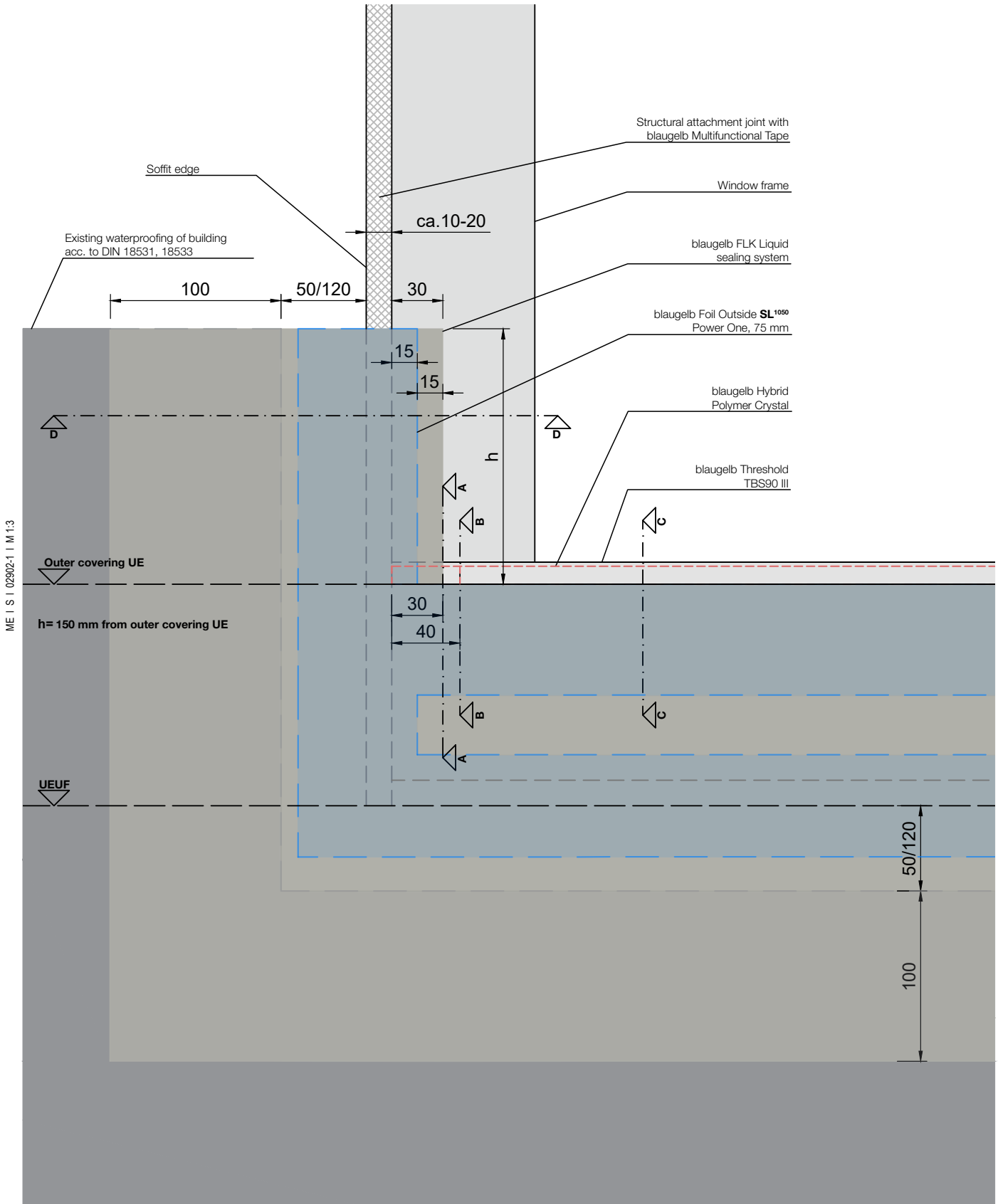
blaugelb connection detail: Threshold; blaugelb Plinth Thermal Insulation Profile PVC/TK; foil in front of threshold cavity; floor-level blaugelb Trio**therm**[®] System connection

Variant foil in front of threshold cavity



Appendix 25:

blaugelb connection detail: Foil in front of threshold cavity; floor-level blaugelb Trio**therm*** System connection; front view



ME I S | 02902-1 | M 1:3

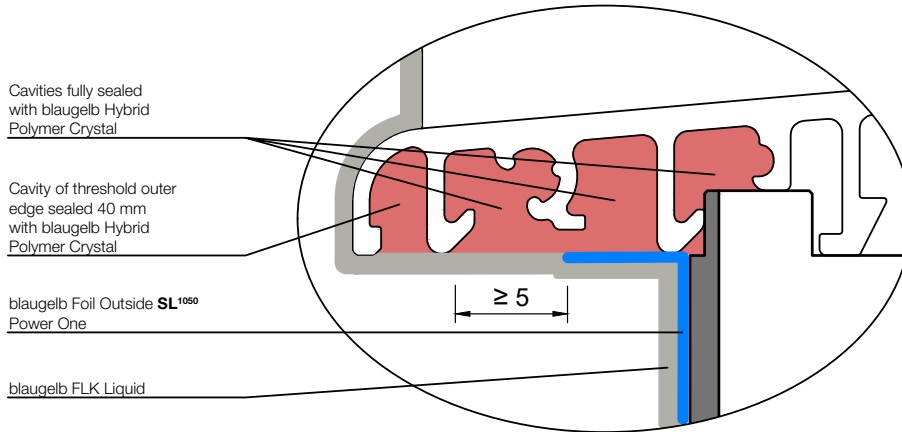
Processing instructions for blaugelb FLK Sealing System

The cross-discipline solution for sealing in the floor-level range.

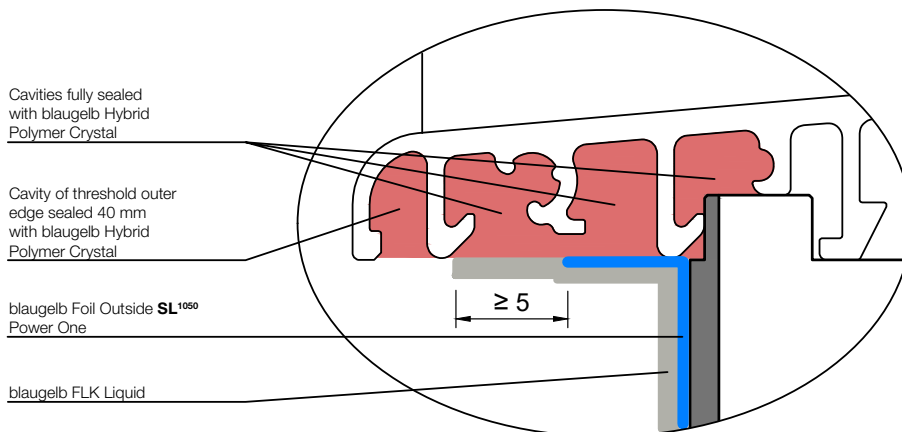
Appendix 26:

blaugelb connection detail: Foil in front of threshold cavity; floor-level blaugelb Trio**therm**⁺ System connection; sectional drawings

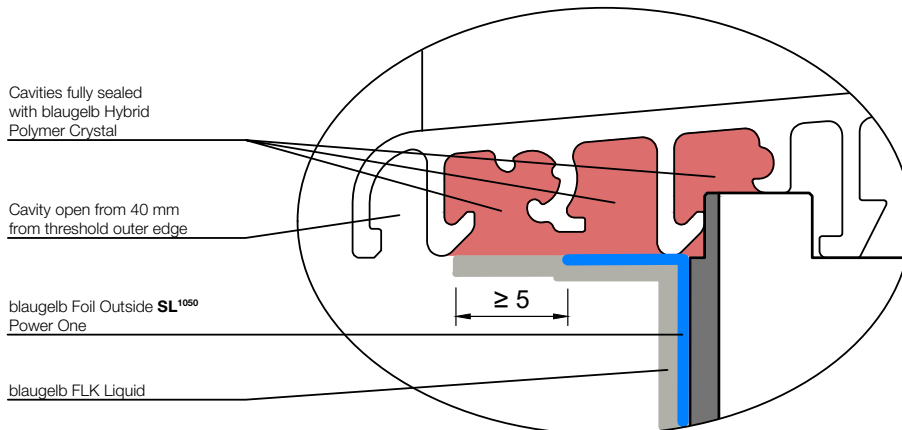
Section A-A



Section B-B



Section C-C

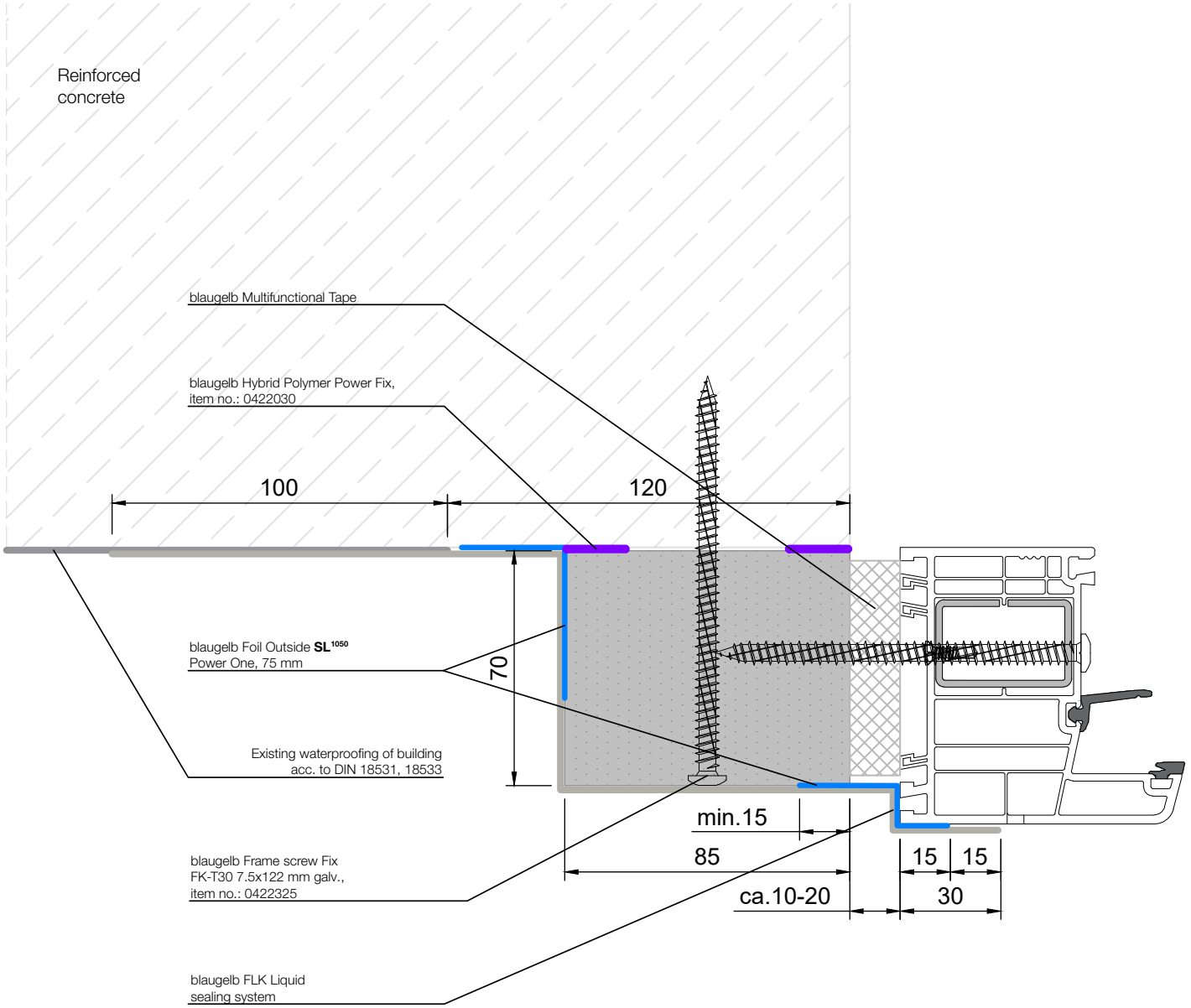


ME I S | 029022 | M 2:1

Appendix 27:

blaugelb connection detail: Foil in front of threshold cavity; blaugelb Trio**therm*** System 70 x 85 x 1175 mm; side connection; window frame flush with outside

Section **D-D**

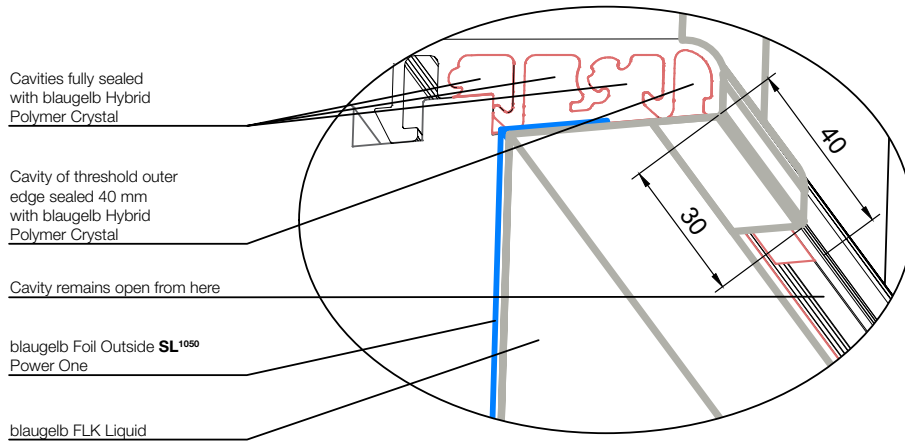
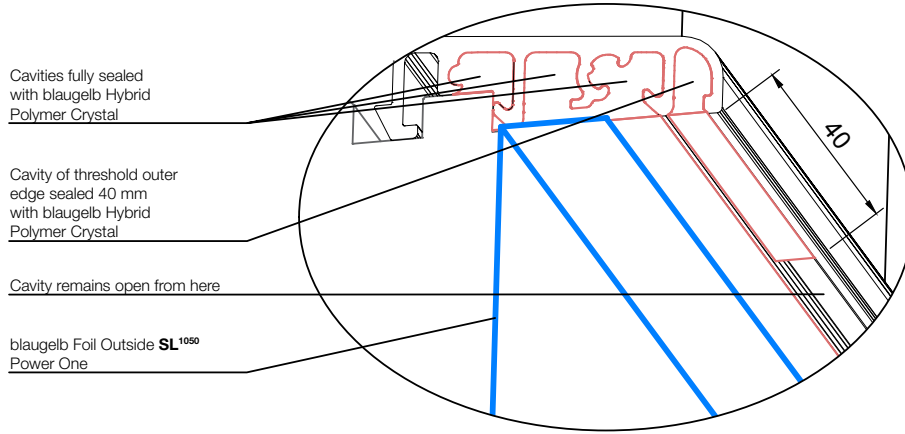


Processing instructions for blaugelb FLK Sealing System

The cross-discipline solution for sealing in the floor-level range.

Appendix 28:

blaugelb connection detail: Foil in front of threshold cavity; floor-level blaugelb Trio**therm**⁺ System connection; 3D view



ME | S | 029023 | M 2:1

November 2022 - ME | MD | 0001