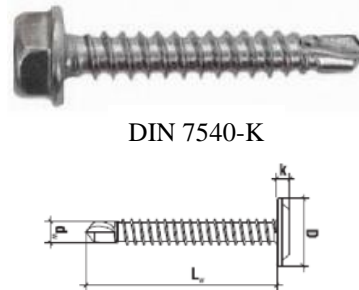
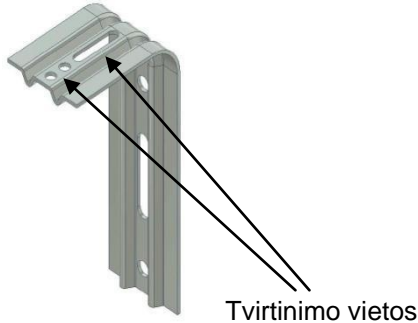


Varžtai, tipas DIN 7504K
kronšteinų ir kampų RX-K-System ir RX-Solid tvirtinimui prie PVC profilio



Kodas	d _w x L _w (mm)	D (mm)	k (mm)	Vnt.
V-PVC-48032-DIN 7504-K-K500	4,8 x 32	9,9	4,3	500
V-PVC-48032-DIN 7504-K-K1000	4,8 x 32	9,9	4,3	1000

Tvirtinimo elementai , tipas KPR-FAST-10x80K
Kronšteinų ir kampų RX-Solid tvirtinimui prie sienos

Visada naudoti 2 vnt. tvirtinimo elementų vienam RX-Solid kampui



PRODUCT NAME	DIAMETER [MM]	APPROVAL	PHOTO	SUBSTRATE					
				ETAG 20				PLASTERBOARD	
				A	B	C	D	1x	2x
KPR-FAST 10 K Frame plug with hex head screw, TX-40/SW13 NYLON/BLUE ZINC PLATED	Ø10								
				✓	✓	✓	✓	-	-

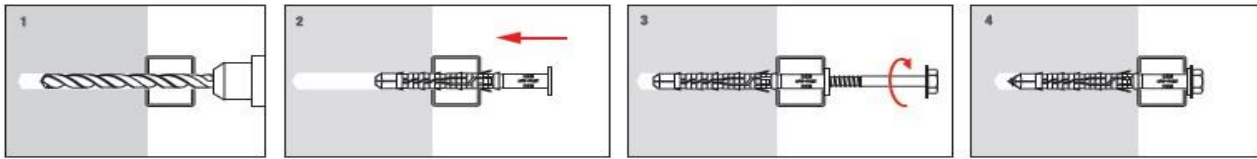
KPR-FAST-10 K / KPS-FAST-10 S

Pagrindas wg ETAG020	Pavadinimas	Tankis [kg/dm ³]	Norma	Varžto ištraukimo jėga [kN]	
				KPR-FAST 10 K	KPS-FAST 10 S
A	Betonas C12/15	≥ 1,8	EN 206-1	3,0*	
	Betonas >C16/20	≥ 2,3	EN 206-1	4,0*	
B	Keraminė plyta	≥ 1,7	EN 771-1	3,5	
	Keraminė plyta (np. MZ Rd 2,0/20)-DIN 106)	≥ 2,0	EN 771-1	3,5	
B	Silikatinė plyta (np. Kalksandstein KS NF 20-2.0 Vollstein - DIN 106)	≥ 2,0	EN 771-2	3,5	
C	Silikatinė plyta KSL (np. Kalksandstein KS L-R(P) 8 DF Lochstein - DIN 106)	≥ 1,6	EN 771-2	2,5	
C	Tuščiaviduris blokelis (np. Porotherm 25 P+W)	≥ 0,8	EN 771-1	0,9	
C	Keraminis blokelis (np. MAX 250)	≥ 0,8	EN 771-1	0,9	
C	Keraminė plyta (np. Hlz Rd1 1,2/12)	≥ 1,2	EN 771-1	2,0	
D	Perforuotas lengvojo betono blokelis (np. HBL 2/0.8)	≥ 0,8	EN 771-3	1,5	
D	Korėtasis betonas AAC2	≥ 0,35	EN 771-4	0,6	
	Korėtasis betonas AAC7	≥ 0,65	EN 771-4	1,5	

* strefa zarysowana

1 kN = 100 kg

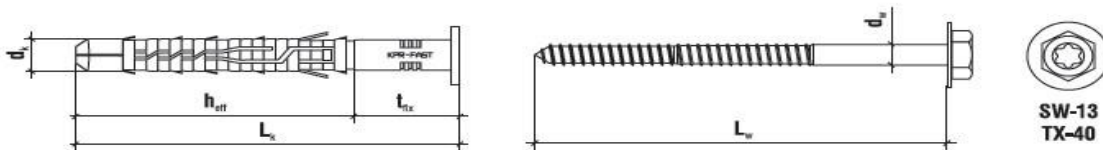
Montavimo instrukcija



TECHNICAL DATA

Product marking

KPR-FAST	10	080	K	00
Type	Diameter	Length	Head type	Type of steel and coating



Ø10	Code BLUE ZINC PLATED	Code A4 STAINLESS STEEL	Code HOT-DIP GALVANIZED	d _k x L _k [mm]	d _w x L _w [mm]	Max. fixture thickness t _{fix} [mm]	Drive type		Pcs
	KPR-FAST-10080K	KPR-FAST-10080K-A4	KPR-FAST-10080K-00	10 x 80	7.0 x 85	10	TX-40	SW-13	50
	KPR-FAST-10100K	KPR-FAST-10100K-A4	KPR-FAST-10100K-00	10 x 100	7.0 x 105	30	TX-40	SW-13	50
	KPR-FAST-10120K	KPR-FAST-10120K-A4	KPR-FAST-10120K-00	10 x 120	7.0 x 125	50	TX-40	SW-13	50
	KPR-FAST-10140K	KPR-FAST-10140K-A4	KPR-FAST-10140K-00	10 x 140	7.0 x 145	70	TX-40	SW-13	50
	KPR-FAST-10160K	KPR-FAST-10160K-A4	KPR-FAST-10160K-00	10 x 160	7.0 x 165	90	TX-40	SW-13	50
	KPR-FAST-10180K	KPR-FAST-10180K-A4	KPR-FAST-10180K-00	10 x 180	7.0 x 185	110	TX-40	SW-13	25
	KPR-FAST-10200K	KPR-FAST-10200K-A4	KPR-FAST-10200K-00	10 x 200	7.0 x 205	130	TX-40	SW-13	25
	KPR-FAST-10230K	KPR-FAST-10230K-A4	KPR-FAST-10230K-00	10 x 230	7.0 x 235	160	TX-40	SW-13	25
	KPR-FAST-10260K	KPR-FAST-10260K-A4	KPR-FAST-10260K-00	10 x 260	7.0 x 265	190	TX-40	SW-13	25
	KPR-FAST-10300K	KPR-FAST-10300K-A4	KPR-FAST-10300K-00	10 x 300	7.0 x 305	230	TX-40	SW-13	25

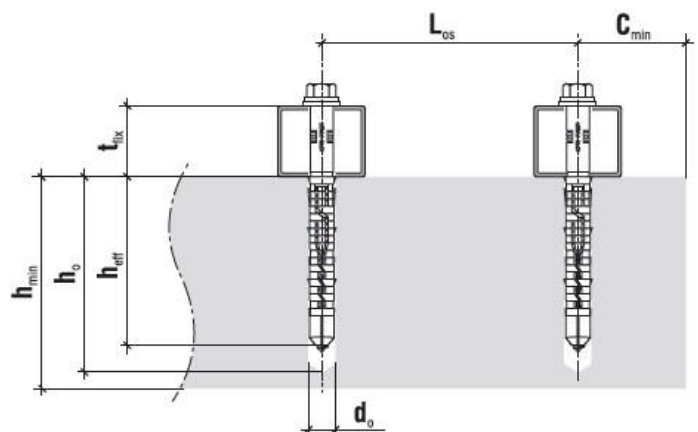
MADE TO ORDER MADE TO ORDER

TECHNICAL DATA

Parameter	Unit	Value
Plug diameter	d _k [mm]	10
Hole diameter	d _o [mm]	10
Effective anchorage depth	h _{eff} [mm]	70
Depth of drill hole	h _o [mm]	80
Drive type	x	TX-40/SW-13
Use categories	x	A B C D
Sleeve material	x	PA
Screw material	x	A4, hot-dip galvanized, steel
Approval	x	ETA-12/0272

SUBSTRATE - MINIMUM THICKNESS, DISTANCE

Substrate	Min. member thickness h _{min} [mm]	Min. edge distance c _{min} [mm]
Concrete ≥C16/20	100	60
Solid clay brick	120	100
Solid sand-lime brick	120	100
Perforated clay brick	180	100
Autoclaved aerated concrete	100	100



Pagal atskirą užsakymą galimas tiekimas :

KPR-FAST 10 K A4 - su nerūdijančio plieno varžtais

KPR-FAST 10 K 00 – su ugniai atspariais varžtais

KPR-FAST 10 K

Frame plug Ø10 with hex head screw
ZINC PLATED SCREW

KPR-FAST 10 K A4

Frame plug Ø10 with hex head screw
A4 STEEL SCREW

KPR-FAST 10 K 00

Frame plug Ø10 with hex head screw
HOT-DIP GALVANIZED SCREW



ETA-12/0272



Description

Frame plug with flanged hex head screw for fixing of metal members

Technical data

Type of installation	push-through installation
Substrate	concrete, solid clay brick, perforated clay brick, autoclaved aerated concrete

Sleeve material / Protective coating



Features and advantages of the product



Screw length

We manufacture screws up to 300 mm long



Hex head with TX-40/SW-13 drive

TX drive ensures optimum transfer of torque and SW-13 hex head allows for tightening the screw with a given force (e.g. with torque wrench).



Reduced thread

Precise installation of the screw
Increased expansion force in the second expansion zone.



Resistance to fire

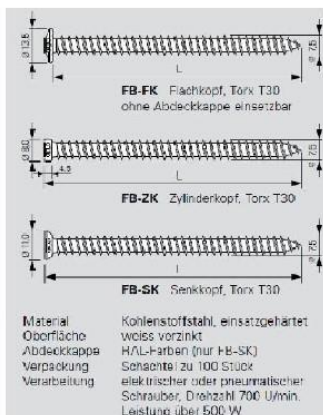
For assembling facade systems the fastener has a sufficient fire resistance of at least 90 minutes (R90) if the permissible design load for a single anchorage $N_r \leq 0.8$ kN (without permanent longitudinal axial load).



Sertifikuoti tvirtinimo varžtai Rahmenfixschraube FK-T30,



Art.-Nr.	Pavadinimas	Mato vienetas
0422310	blaugelb Rahmenfixschraube FK-T30 7,5x42mm (dėžė 100 vnt)	100 vnt
0422314	blaugelb Rahmenfixschraube FK-T30 7,5x62mm (dėžė 100 vnt)	100 vnt
0422318	blaugelb Rahmenfixschraube FK-T30 7,5x72mm (dėžė 100 vnt)	100 vnt
0422319	blaugelb Rahmenfixschraube FK-T30 7,5x82mm (dėžė 100 vnt)	100 vnt
0422320	blaugelb Rahmenfixschraube FK-T30 7,5x92mm (dėžė 100 vnt)	100 vnt
0422321	blaugelb Rahmenfixschraube FK-T30 7,5x102mm (dėžė 100 vnt)	100 vnt
0422324	blaugelb Rahmenfixschraube FK-T30 7,5x112mm (dėžė 100 vnt)	100 vnt
0422325	blaugelb Rahmenfixschraube FK-T30 7,5x122mm (dėžė 100 vnt)	100 vnt
0422327	blaugelb Rahmenfixschraube FK-T30 7,5x132mm (dėžė 100 vnt)	100 vnt
0422329	blaugelb Rahmenfixschraube FK-T30 7,5x152mm (dėžė 100 vnt)	100 vnt
0422331	blaugelb Rahmenfixschraube FK-T30 7,5x182mm (dėžė 100 vnt)	100 vnt
0422333	blaugelb Rahmenfixschraube FK-T30 7,5x212mm (dėžė 100 vnt)	100 vnt
0423707	blaugelb Rahmenfixschraube FK-T30 7,5x252mm (dėžė 100 vnt)	100 vnt
0422334	blaugelb Rahmenfixschraube FK-T30 7,5x300mm (dėžė 100 vnt)	100 vnt
09035135	blaugelb Rahmenfixschraube FK-T30 7,5x350mm (dėžė 100 vnt)	100 vnt
09035136	blaugelb Rahmenfixschraube FK-T30 7,5x400mm (dėžė 100 vnt)	100 vnt



Kopfform / Antrieb

Flachkopf / Torx T30



Zylinderkopf / Torx T30



Senkkopf / Torx T30



Zusatzinformationen

Befestiger:

- Kohlenstoffstahl

Oberfläche:

- Zn weiss

Einschraubtiefe:

- abhängig vom Material des Baukörpers

Montage:

- gute Eindrehmomente dank reduzierter Gewindespitze



ROSENHEIM

Nr. 509 16 240

Nr. 105 33 615

Nr. 105 35 815

Technische Werte

Schubbruchlast Q_B (N)



16'000 N

Zugbruchlast Z_g (N)



20'000 N

Torsionsbruch M_t (Nm)

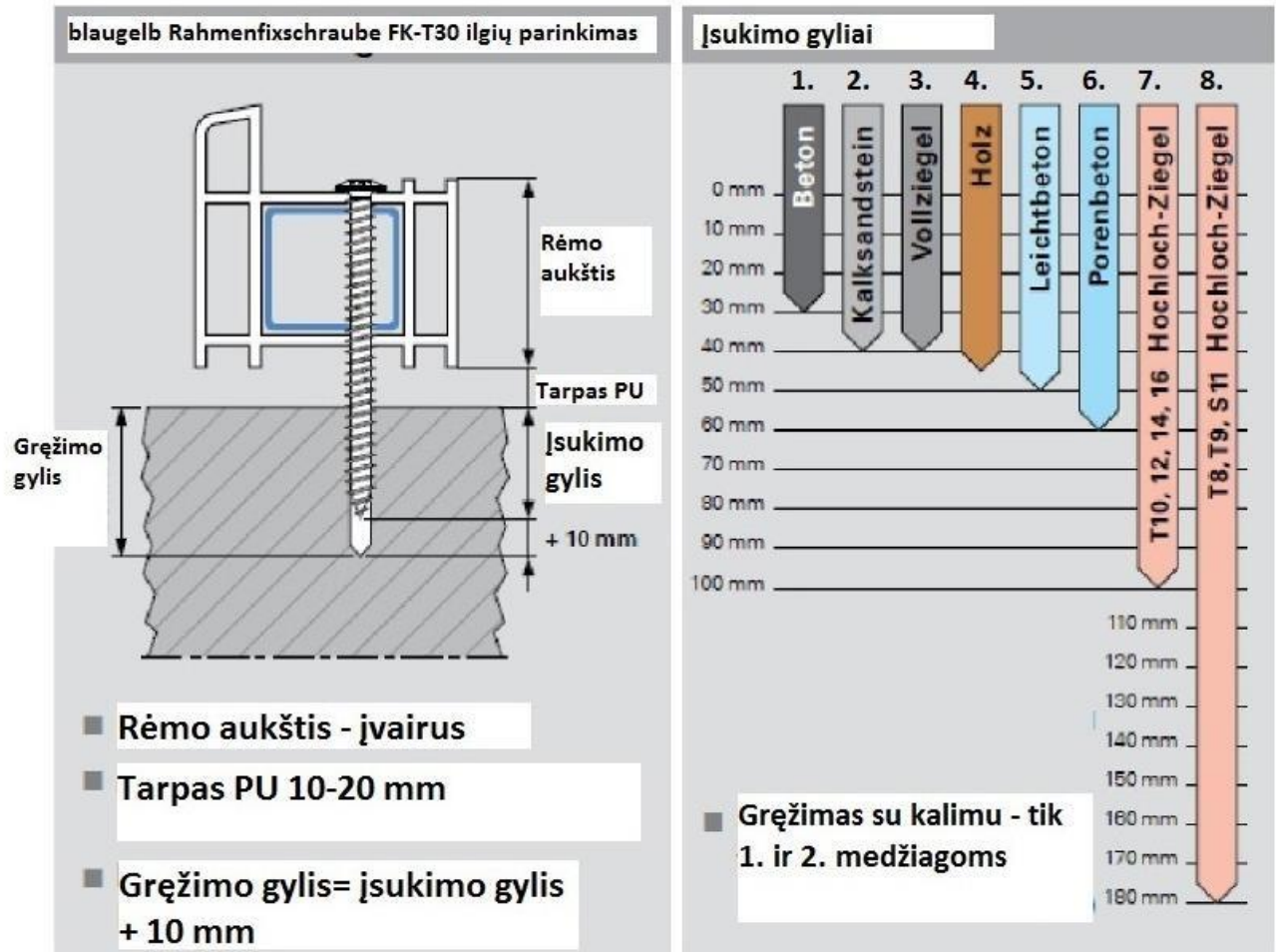


20 Nm*

* Bruch Bit

Richtwerte für das Verarbeiten mit Automaten

- Drehzahl unter Last 700 U/min. Leistung über 500 W



1. Betonas
2. Silikatas
3. Pilnavidurė plyta
4. Mediena
5. Lengvas betonas
6. Porėtas betonas
7. Keraminės skylėtos plytos/blokeliai T10-16
8. Keraminiai blokeliai T8 -11

Bohrloch-Ø und Einschraubtiefe in verschiedenen Untergründen				
Laibung Untergrund	Gręžimo diametras	Įsukimo gylis	Gręžti	Gręžimas su kalimu
1. Beton	6,0 mm	30 mm		x
2. Kalksandstein	6,0 mm	40 mm		x
3. Vollziegel	6,0 mm	40 mm	x	
4. Holz	6,0 mm	45 mm	x	
5. Bims	6,0 mm	50 mm	x	
6. Porenbeton	ohne vorbohren	60 mm	-	
7. Hochloch-Ziegel	5,0 mm	100 mm	x	
8. Hochloch-Ziegel	5,0 mm	180 mm	x	