

AXOR

KOMFORT LINE K-3

Window hardware for PVC
and aluminum profiles

Content

	General product information
1	Hinges
2	Gears
3	Corner transmissions/ Middle locks
4	Stay arm
5	Additional elements
6	Hardware set combinations
7	Installation tools
8	Profile-dependent elements

System KOMFORT LINE K-3

General product
information

The system KOMFORT LINE K-3

The KOMFORT LINE K-3 is a system of window hardware in the product line of AXOR INDUSTRY Company. In order to create it our designers set a goal to invent the hardware which would provide a simple assembly for window producers, ergonomic opening and closing, as well as, safety for users.

The KOMFORT LINE K-3 - first of all it is attention to details, which found its reflection in the quality of hardware system.



Application range

All window furniture in our catalogue is intended exclusively for the internal opening of windows and balcony doors.

The system K3 has been provided in such assemblies as, tilt and turn opening, single turn opening, single tilt opening and double sash opening as well.

Hardware elements

All sets of hardware, which were indicated in this catalogue, must consist only from original elements of AXOR INDUSTRY. Otherwise the producer won't be able to guarantee the work of hardware properly.

So, for each type of a sash, it is possible to set optional elements for additional functionality of one. These elements were marked with following colors:

Red – base safety;

Grey – possible equipment.

Quality

All products of AXOR INDUSTRY corresponds according to technical norms of DSTU Б В.2.6-39:2008, GOST 30777-2001, GOST 538-2001, EN 13126-8 which regulate the main requirements of tilt and turn hardware.

Assembly

So, for accurate an assembly and for further correct work of hardware it is necessary to follow instructions of this catalogue.

Fixing of details:

The handle with screws M5 x 40mm.

The elements of a sash and the locking plates: self-tapping window chromated screws 4,0 x 25 mm or 3,9 x 26 mm.

The elements of hinges group: galvanized or alternatively chromated screws with flat head and cross-shaped slot, DIN 7982 3,9 x 32 mm or 3,9 x 38 mm.

Preliminary drilling is necessarily for these screws. Perforation instead of drilling is forbidden. Drill diameter for PVC profiles is 0,7, and for steel profiles is 0,8 diameter of a screw.

Settings of electric- or pneumatic screwdriver: maximum torque is 2.5 Nm, rotation speed: max 600 - 1000 rpm.

In case of non-compliance of these catalogue's recommendations for assembly and exploitation, the producer AXOR INDUSTRY cannot guarantee properly work of separate elements, as well as, the work of hardware system in whole.

The AXOR INDUSTRY Company reserves the right, in a process of further an improvement and development, to make technical changes of product KOMFORT LINE K-3, and also to change packaging norms.

Locking pins

General product
information

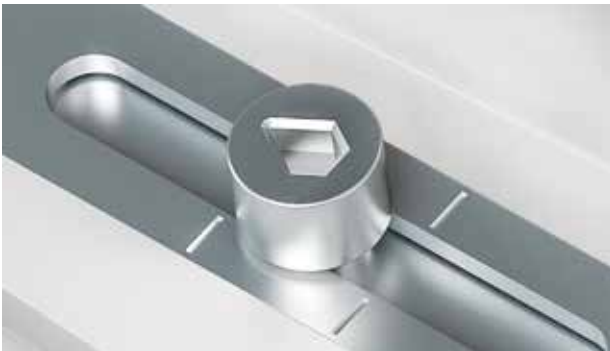
The locking pins of KOMFORT LINE K-3

The system of window hardware KOMFORT LINE K-3 was equipped with cylindrical pins of sliding.

Thus, as additional option it is possible to complement elements of a sash with a mushroom pin, to conform the base safety level according to AhS Standard.

In order to ensure air and water permeability of window and balcony door units in accordance with the GOST 23166 and DSTU Б В.2.6-39:2008 standards, the construction of turn, tilt and tilt&turn devices shall ensure that the contact between the sash (leaf) and the frame remains tight and even for the entire duration of service life, based on recommendations from the profile system manufacturers, the use of a certain type of gasket and observance of the required size of gap under the gasket (GOST 30777-2012), which means that when assembling a tilt-and-turn (turn) window, the manufacturer must receive recommendations regarding the number of and the distance between the locking points directly from the profile manufacturer, in writing and with the explanation of these requirements.

The adjustment range of locking pins is +/-1 mm. The diameter of pins is 11 mm.



Technical features of Komfort Line K-3

- 1) All elements of hardware have holders which allow fixing ones in the fitting groove before screwing by screws and to prevent moving along of fitting groove during assembly of a sash.
- 2) There is an opportunity to fix the finger of the corner bearing at the extreme bottom position under angle 180° in order to make an assembly more comfortable by a screw gun, so the finger is not falling down and hindering to screw the screws.
- 3) The holes of the corner bearing and stay arm bearing were designed thus all screws to pass through reinforcement profile inside of a frame.
- 4) The drill-in corner hinge has two pins following sizes: length 5 mm and diameter 3 mm to fix reliably this one before the moment of screwing by screws.
- 5) There is a plastic bush, of high-strength polymer, inside of the drill-in corner hinge, which prevents unscrewing of an adjustable screw during the turning of a sash. Thus there is not any creak during of the turning of a sash. The adjustable screw of the drill-in corner hinge was fixed primordially in the central position to exclude unscrewing during transportation and exploitation of end product.
- 6) The finger of the stay arm bearing gets the hard and reliable fixation thanks to a special bush of high-strength polymer, excluding the disconnection by itself.
- 7) The anti-theft locking plates with mushroom pins of the corner transmission and middle lock together allow equipping a window according to requirements of the base safety according to AhS Standard.
- 8) The wrong operation safety device with sash lifter is universal for left and right opening. There is a fixation of the central position before a moment of assembly. It can work even the gap between the frame rebate and sash rebate is from 10,5 till 14 mm. Thus, if it is necessary there is an opportunity to adjust a lifting plate at +/- 1 mm by height. So, the setting of the lifting plate with a special telescopic jig provides the correct work this wrong operation safety device whole.
- 9) The bottom extension has "a ski-lift" which was integrated to this one, thus it excludes the sagging down of a sash when it is closed.
- 10) The junction of the middle lock to the stay arm is quite reliably thanks to a screw, which joins these ones.
- 11) The adjustment range of the stay arm by a gasket pressing is +/- 1 mm.
- 12) There are four types of middle locks thus, it is quite useful for an optimization of a warehouse and for logistics too.

Protective plating of KOMFORT LINE K-3

The protective plating of KOMFORT LINE K-3

The quality of the plating of all hardware's elements affects at the work of accessories, durability and surface appearance very much.

Thus, the special technology of galvanizing allows getting the high-quality plating, which provides all elements of KOMFORT LINE K-3 required level of protect against corrosion.

Nevertheless, a silver color of the hardware's surface appearance fulfills a decorative function to allow it to combine successfully with the others elements of a window.



The causes to appear the corrosion at hardware's surface.

- 1) The prolonged exposure of high wetness (more than 70%).
- 2) The polluted air with gas, comprising a connection of various acids, and an exposure of salt-mist.
- 3) The mechanical damages of surface during an assembly or maintenance, which disrupt wholeness of the plating.
- 4) Some cleaning agents include alkali, acid and so on.
- 5) Under the influence of different temperature there can appear the formation of condensate at the surface of hardware.
- 6) The pollution with some building materials, in particular by cement or gypsum plaster.

Some instructions to keep the quality of surface plating

- 1) Avoid hits of building materials at the hardware surface, for example plaster, cement, different building solutes and building dust.
- 2) Avoid any exposure of aggressive acidic steam and salt-mists at the hardware surface.
- 3) Do not use any rubber gasket, which is able to soaks up and to hold some moisture.
- 4) The cleaning should be made with pH-neutral solute, before diluted.
- 5) Do not permit any mechanical damages of the hardware's surface by building, assembly and detergent instruments.

Storage conditions

This applies to storage and transport, as well as for unloading and loading procedures. Where appropriate, plastic protective sheets or similar are to be used during outdoor transport when raining (i.e. on-site transport). Storage may only be carried out in suitable, closed rooms and not outdoors. Condensation is to be absolutely avoided during the entire transport and storage duration.

- 1) Always keep the hardware boxes closed, and always cover up hardware boxes which were opened and do not put boxes directly on the floor.
- 2) Transport the hardware always with suitable devices (if possible on pallets with stretch film).
- 3) The components may not get wet. The packaging must remain dry (it is recommended: Warehouse temperature – 15-25°C; Relative humidity – less then 50%).
- 4) If box becomes wet please immediately unpack the components from the wet bundles, dry the components and check for signs of corrosion. In any case repack the usable components when dry with new packing material.

Basic notations and representation of the information

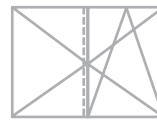
General product information

Basic notations

	Maximum sash weight, kg		Cylindrical locking pin
	Screws (quantity/size)		Mushroom locking pin
	Packaging quantity (pcs)		Locking plate for double-sash window
	Drill-bit (diameter)		



Tilt and turn sash



Tilt and turn double sash



Turn-only sash



Tilt-only sash



Arched tilt and turn sash



Tilt and turn sash for oblique windows



Sliding sash

Representation of the information

All article numbers in this catalogue were afforded an alphanumeric form. The decipher of all article numbers you can find at the pages 8-9.

Thus, all sizes which were shown in that catalogue are nominal and contain general tolerances.

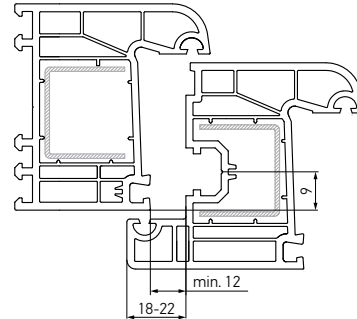
All sizes were conferred in mm.

The information about restriction of sashes' sizes should be taken from diagrams of this catalogue or a user's guide.

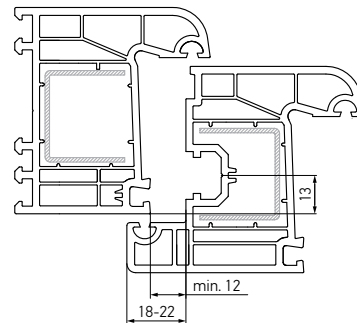


The single sash constructions

Sash rebate gap (A):	min. 12 mm
Sash overlap (C):	18 – 22 mm
Sash groove position (B):	9 mm



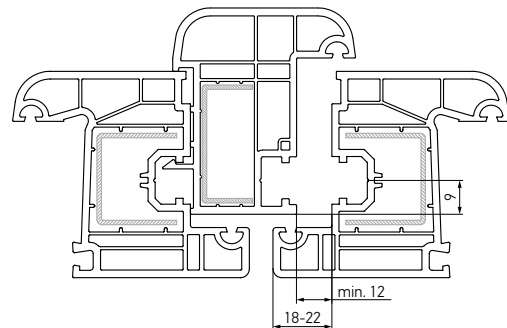
Sash rebate gap (A):	min. 12 mm
Sash overlap (C):	18 – 22 mm
Sash groove position (B):	13 mm



The double sash constructions with opposite hardware groove

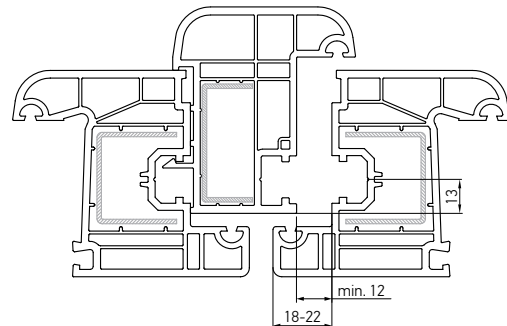
Sash rebate gap (A):	min. 12 mm
Sash overlap (C):	18 – 22 mm
Sash groove position (B):	9 mm

The handling of a passive sash with double sash's gears K1002-XX-N03

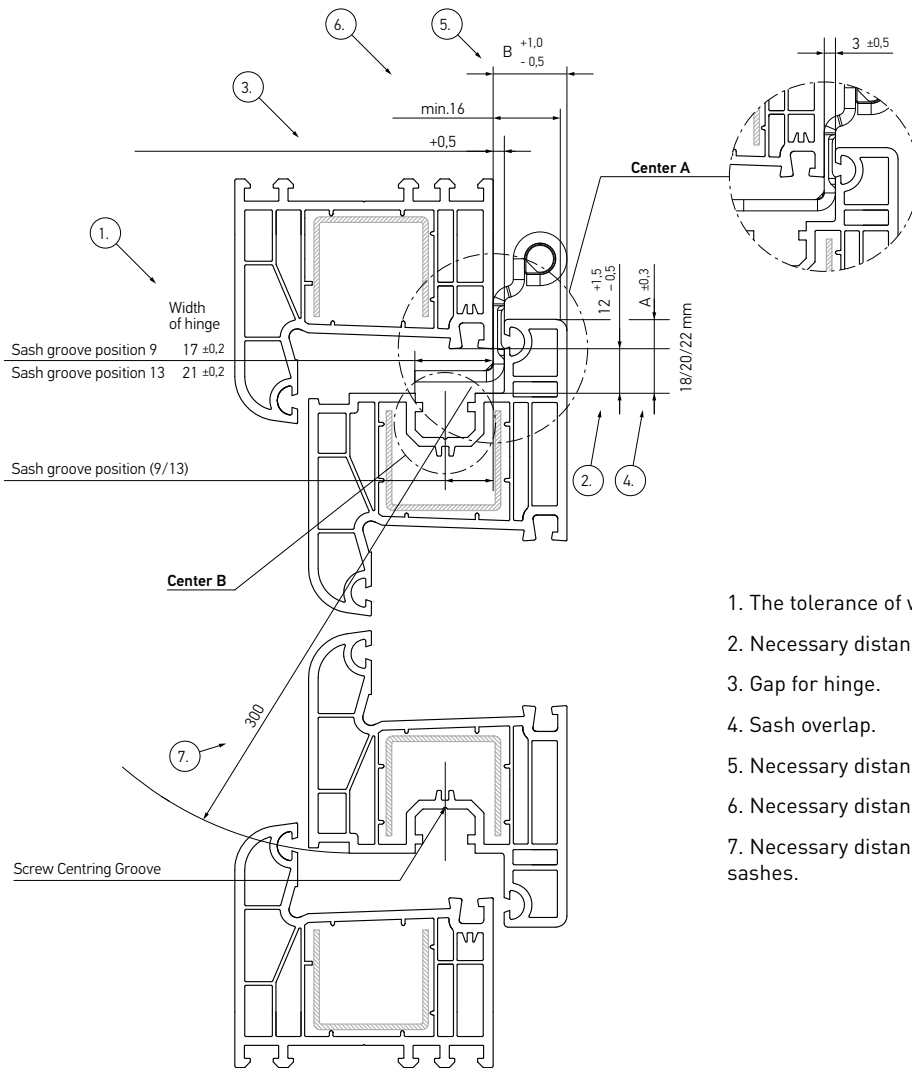


Sash rebate gap (A):	min. 12 mm
Sash overlap (C):	18 – 22 mm
Sash groove position (B):	13 mm

The handling of a passive sash with double sash's gears K1002-XX-N03

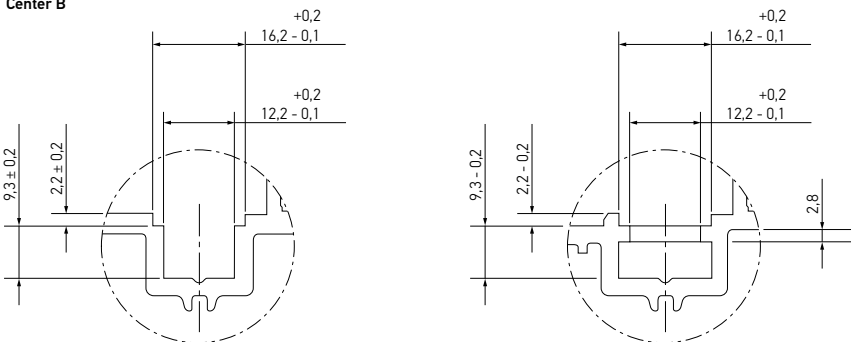


The information about profile-depending elements you find at the profile list



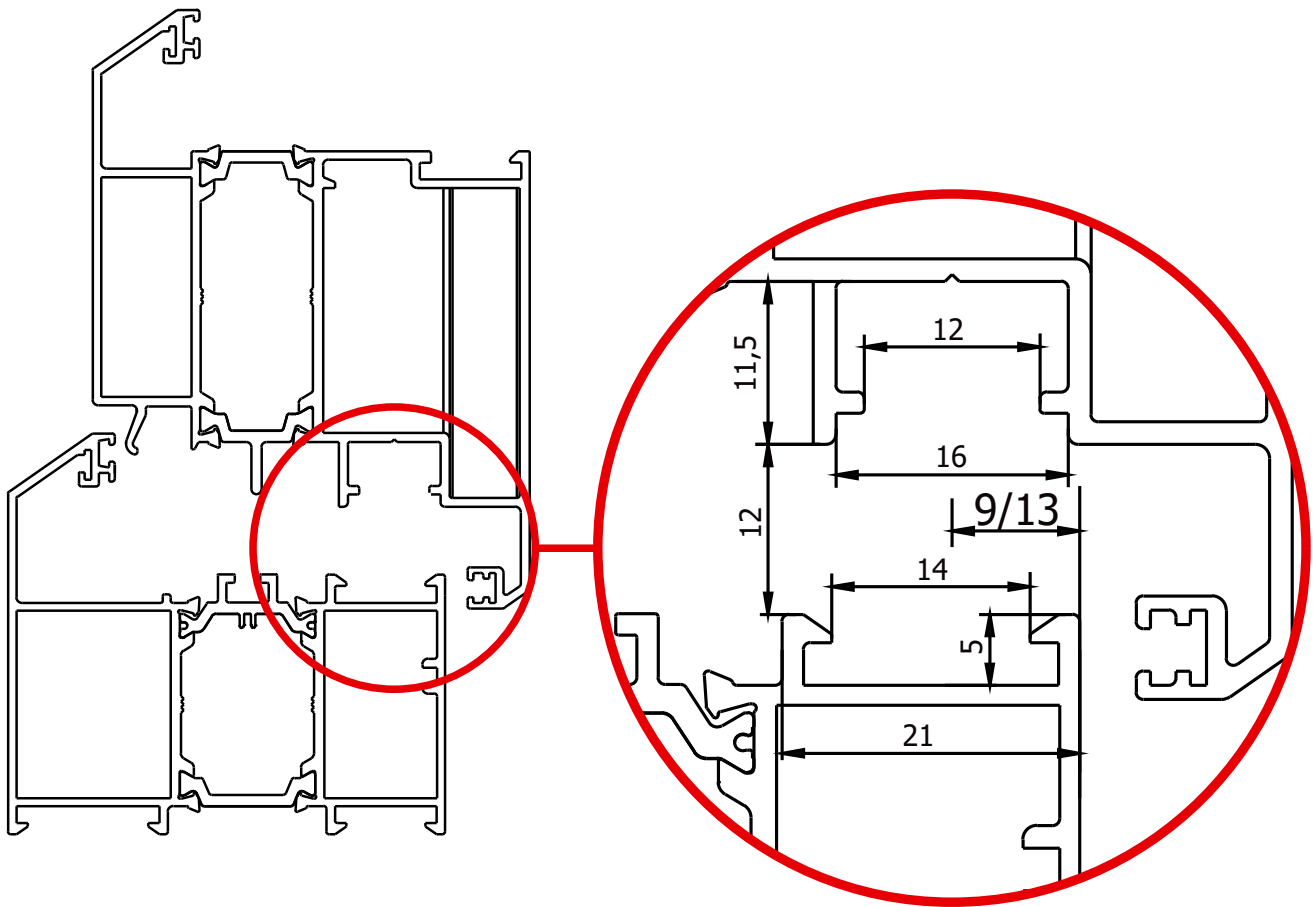
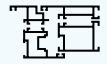
1. The tolerance of width for top sash's hinge.
2. Necessary distance for moving the hardware.
3. Gap for hinge.
4. Sash overlap.
5. Necessary distance for the clamping of gasket adjustment.
6. Necessary distance for inserting a hinge into sash overlap.
7. Necessary distance for operation of small turn and tilt-turn sashes.

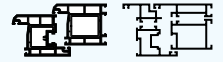
Center B



Dimensions for plastic profile according RAL as of February 1998.

Gütegemeinschaft Schösser und Beschläge e.V.,
Offerstr. 12, 42551 Velbert

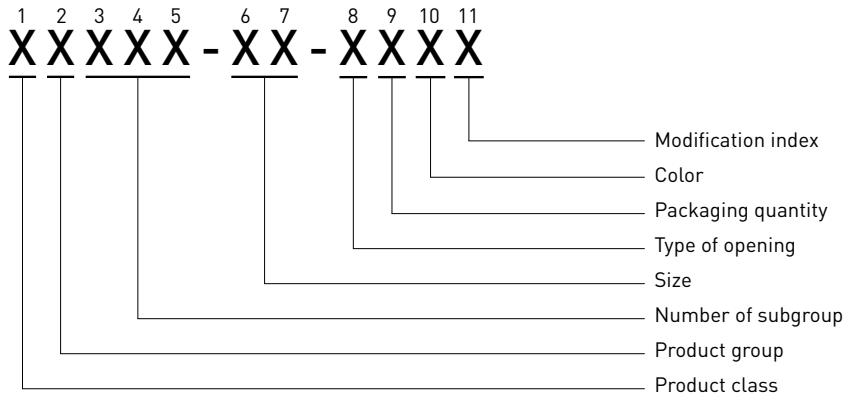




Article structure

General product information

Article structure



**1. Product class
(1st sign)**

XXXXX-XX-XXXX

- “S” – smart line
- “K” – komfort line
- “A” – element refers to both classes

**2. Product group
(2nd sign)**

XX**X**XX-XX-XXXX

- “0” – alternative value
- “1” – gear variable
- “2” – corner transmissions
- “3” – stay arm
- “4” – extensions
- “5” – hinges
- “6” – standart locking plates, tilt locking plates
- “7” – locking plates and the other accessories
- “8” – alternative value
- “9” – alternative value

**3-5. Subgroup number
(3rd, 4th, 5th sign)**

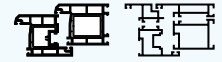
XX**XXX**-XX-XXXX

Additional information about product’s subgroup.
Example: group “gears”, subgroup “double sash lever espagnolette variable”.

**6-7. Size
(6th, 7th sign)**

XXXXX-**XX**-XXXX

Important dimensions of the product such as the length of the axis, etc.



Article structure

General product information

8. Type of opening (8th sign)

XXXXX-XX-**X**XXX

"N" – universal

"R" – right

"L" – left

9. Packaging quantity (9th sign)

XXXXX-XX-**X**XXX

"O" – standard quantity

"B" – 1 pcs.

"C" – 2 pcs.

"D" – 5 pcs.

"E" – 10 pcs.

"F" – 20 pcs.

"G" – 25 pcs.

"H" – 30 pcs.

"J" – 40 pcs.

"K" – 50 pcs.

"L" – 100 pcs.

"M" – 125 pcs.

"N" – 200 pcs.

"P" – 250 pcs.

"R" – 400 pcs.

"S" – 500 pcs.

"T" – 1000 pcs.

"V" – 1500 pcs.

"W" – 3000 pcs.

"Y" – 5000 pcs.

"Z" – nonstandard quantity

10. Color and plating (10th sign)

XXXXX-XX-**X**XX

0 – plating

1 – white

2 – brown

3 – silver

4 – champagne

5 – gold

6 – bronze

7 – black

8 – steel surface

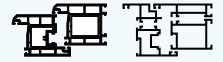
9 – special colors

Double encoding can be used for several tones of the same color.

Example: 1 – white color RAL 9016

1B – white color RAL 9010

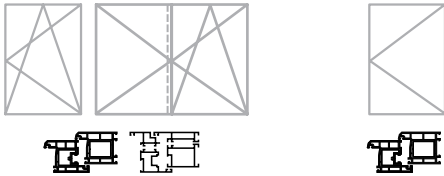
11. Modification index (A, B, C) (11th sign)



Application range diagrams

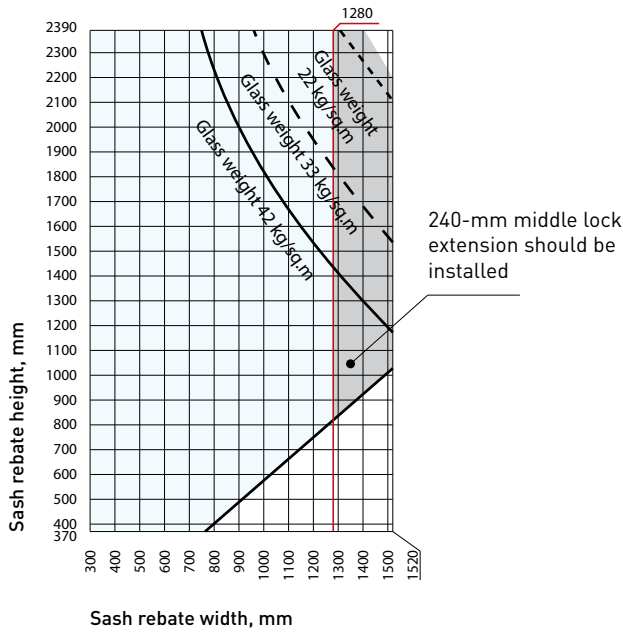
General product information

Tilt and turn



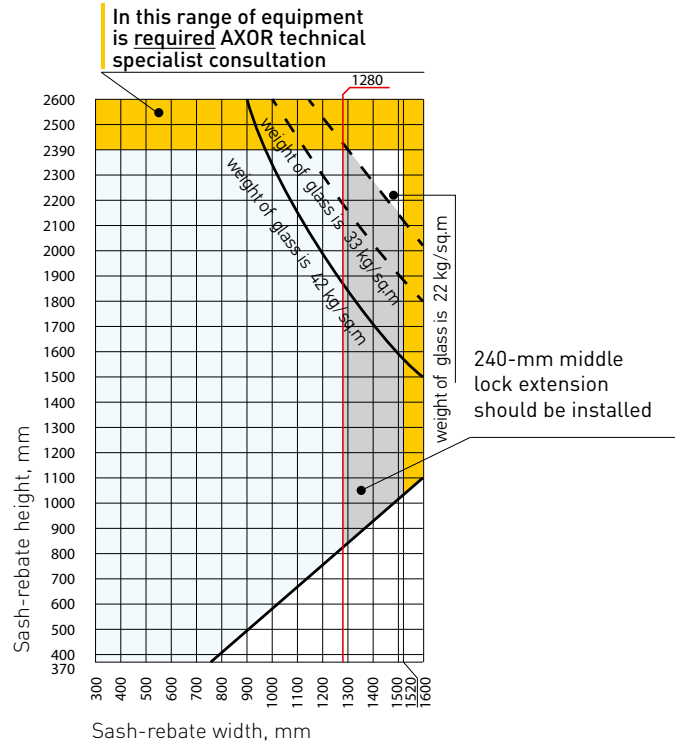
Allowable sash dimensions

Allowable sash weight for this range 100 kg
1mm/m² glass thickness= 2.5kg



Valid sash's size

Permissible sash's weight for this range is 130 kg max.
1 mm / m² glass thickness = 2.5

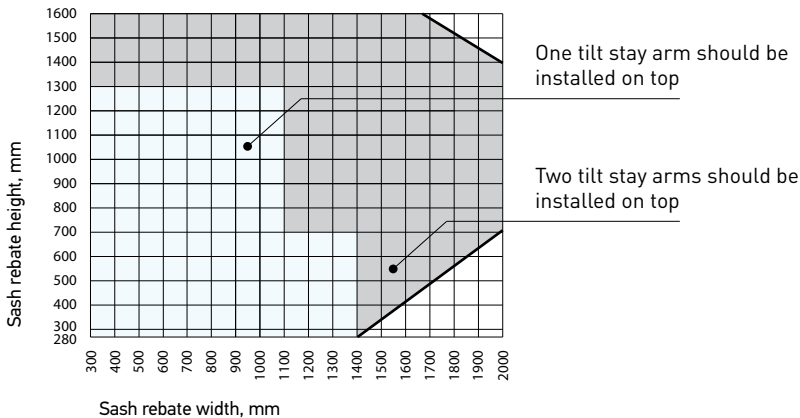


Tilt sash



Sash dimensions limits

Maximum sash weight is 50 kg



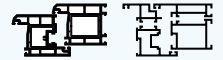


Incorrect using and safety

General product information

Safety conventional symbols

Conventional symbol	Meaning
	<p>Danger of injury through trapping of body parts</p> <ul style="list-style-type: none"> • Never reach into the opening between the sash and the outer frame when closing windows/doors.
	<p>Risk of injury from falling through open windows</p> <ul style="list-style-type: none"> • Always use stable step ladders. • Protect yourself against falling out of windows. • Do not steady yourself or hold on to the opened sash.
	<p>Risk of injury or damage from pressing the sash against the reveal</p> <ul style="list-style-type: none"> • Do not press the sash against the window reveal.
	<p>Risk of injury from trapping parts of the body between the sash and the frame</p> <ul style="list-style-type: none"> • Do not insert obstructions into the opening between sash and frame.
	<p>Risk of injury and material damage from overloading the sash</p> <ul style="list-style-type: none"> • Do not overload the sash.
	<p>Risk of injury from the effect of wind</p> <ul style="list-style-type: none"> • Prevent wind from acting on the open sash. • During wind/drafts, close and lock windows.



Certificates

General product information

Certificate ISO 9001:2015



Certificate QM 328



Corrosion resistance test report EN 1670:2007

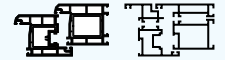


AXORTM

KOMFORT LINE K-3

Hinges

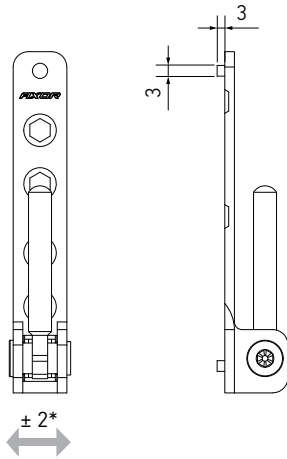
AXOR



Corner bearing

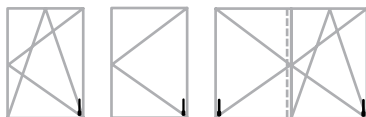
Hinges

Corner bearing 3x3

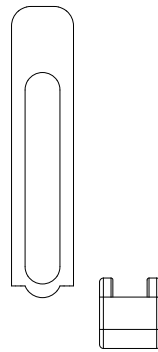


- maximum tilting of pin inclination - 180 deg.;
- for appropriate sash hinge look at p. 17;
- for decorative covers in other colors look at p. 28.

* horizontal adjustment, mm

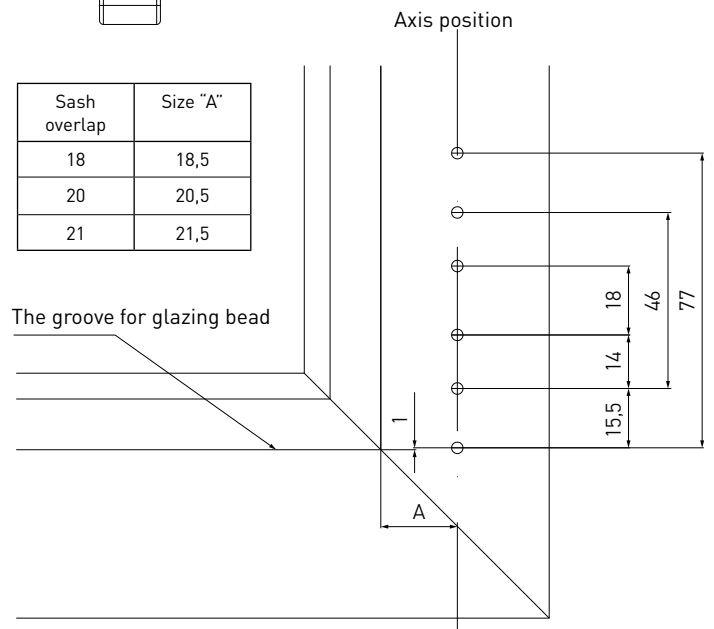


Covers of corner bearing



Sash overlap	Size "A"
18	18,5
20	20,5
21	21,5

The groove for glazing bead



Description	Side opening	A	C	B	kg			Part No.
Corner bearing 3x3	L/R	12	—	—	100	4 / 3,9x40*	250	A5002-00-N03
Description	Side opening	A	C	B	kg			Part No.
Drilling jig for frame hinges	L/R	12	20	—	—	∅3	50	A7002-00-N09
Drilling jig for frame hinges	L/R	12	21	—	—	∅3	50	A7002-20-N09
Description	Side opening	A	C	B	kg			Part No.
Bottom cover of corner bearing	L/R	—	—	—	—	—	500	A7007-10-N**
Top cover of corner bearing	L/R	—	—	—	—	—	500	A7008-10-N**

A - sash rebate gap / C - sash overlap / B - sash groove position

* - quantity/size

** - for decorative covers in other colors look at p. 28

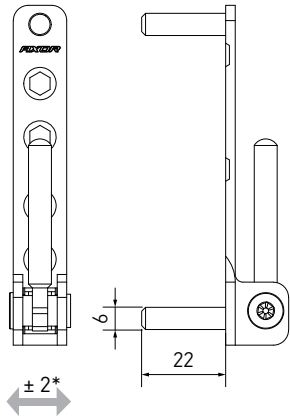


Corner bearing

Hinges

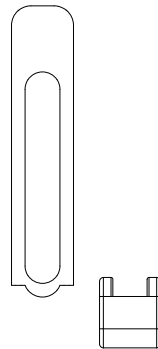
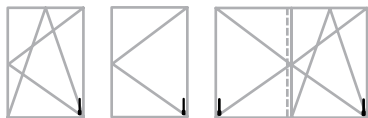
Corner bearing 6x22

Covers of corner bearing



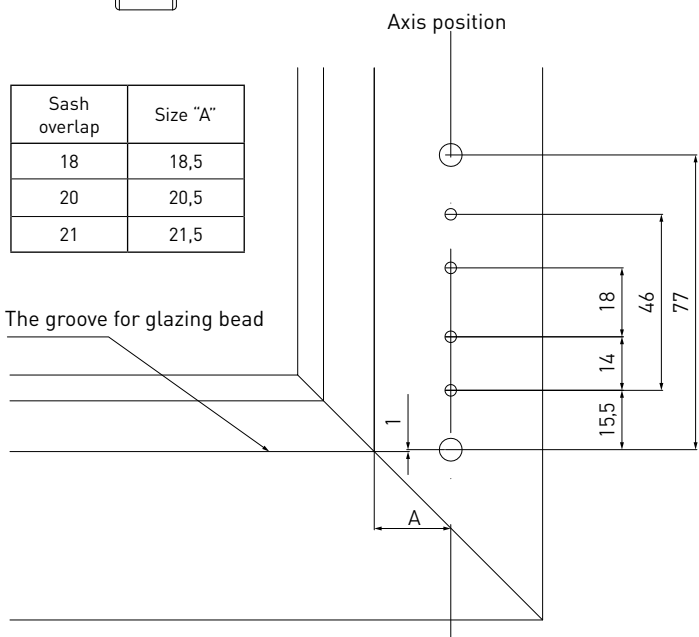
- maximum tilting of pin inclination - 180 deg.;
- for appropriate sash hinge look at p. 19;
- for decorative covers in other colors look at p. 28.

* horizontal adjustment, mm



Sash overlap	Size "A"
18	18,5
20	20,5
21	21,5

The groove for glazing bead



Description	Side opening	A	C	B	kg			Part No.
Corner bearing 6x22 130kg	L/R	12	—	—	130	4 / 3,9x40	250	A5004-00-N03
Description	Side opening	A	C	B	kg			Part No.
Drilling jig for frame hinges	L/R	12	20	—	—	Ø3/6	50	A7002-10-N09
Drilling jig for frame hinges	L/R	12	21	—	—	Ø3/6	50	A7002-30-N09
Description	Side opening	A	C	B	kg			Part No.
Bottom cover of corner bearing	L/R	—	—	—	—	—	500	A7007-10-N**
Top cover of corner bearing	L/R	—	—	—	—	—	500	A7008-10-N**

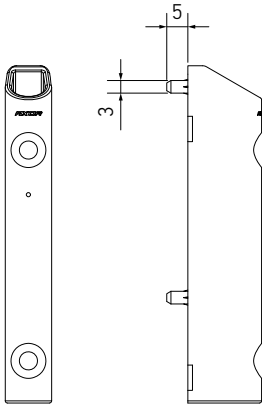
A - sash rebate gap / C - sash overlap / B - sash groove position
 ** - for decorative covers in other colors look at p. 28



Drill-in corner hinge

Hinges

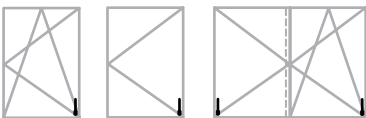
Drill-in corner hinge



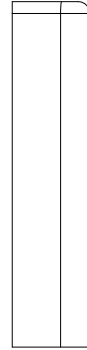
± 2*

- used for 18-22 mm sash overlap;
- for appropriate sash hinge look at p. 15;
- for decorative covers in other colors look at p. 28.

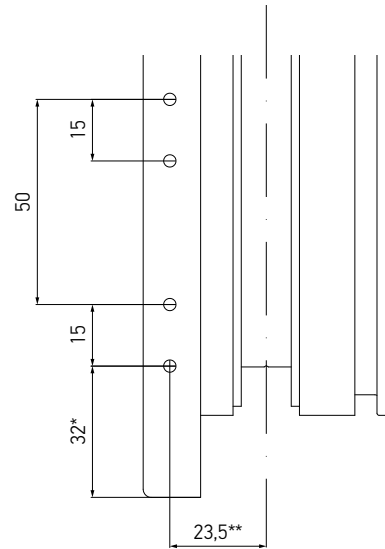
* vertical adjustment, mm



Cover of the drill-in corner hinge



Axis of sash groove position



- * for 20-mm sash overlap
- ** or 13-mm sash groove position

Description	Side opening	A	C	B	kg			Part No.
Drill-in corner hinge 3x5	L/R	—	—	—	100	2 / 4x40	250	A5003-00-N03
Description	Side opening	A	C	B	kg			Part No.
Drilling jig for sash hinges	L/R	12	20	13/9	—	∅3	80	A7003-00-N09
Drilling jig for sash hinges	L/R	12	21	13/9	—	∅3	80	A7003-20-N09
Description	Side opening	A	C	B	kg			Part No.
Cover of the drill-in corner hinge	L/R	—	—	—	—	—	500	A7006-10-N**

A - sash rebate gap / C - sash overlap / B - sash groove position
 ** - for decorative covers in other colors look at p. 28

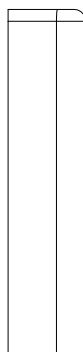
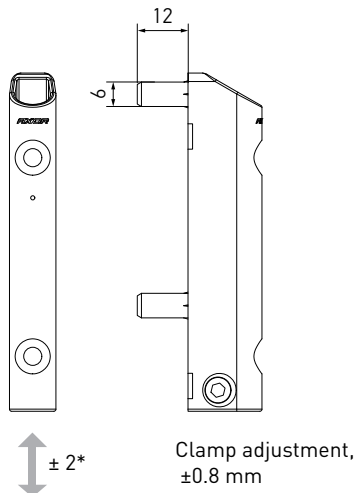


Drill-in corner hinge

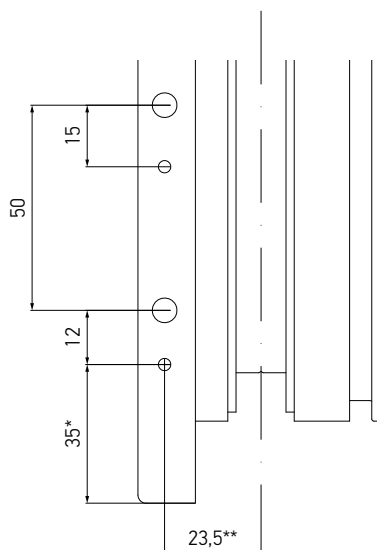
Hinges

Drill-in corner hinge with gasket pressure adjustment

Cover of the drill-in corner hinge

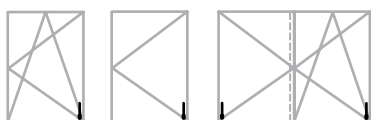


Axis of sash groove position



- used for 18-22 mm sash overlap;
- for appropriate sash hinge look at p. 15,16;
- for decorative covers in other colors look at p. 28.

* vertical adjustment, mm



* for 20-mm sash overlap
** or 13-mm sash groove position

Description	Side opening	A	C	B	kg			Part No.
Drill-in corner hinge AD 6x12	L/R	—	—	—	100	2 / 4x40	250	A5007-00-N03
Description	Side opening	A	C	B	kg			Part No.
Drilling jig for sash hinges AD	L/R	12	20	13/9	—	∅3/6	80	A7003-10-N09
Drilling jig for sash hinges AD	L/R	12	21	13/9	—	∅3/6	80	A7003-30-N09
Description	Side opening	A	C	B	kg			Part No.
Cover of the drill-in corner hinge	L/R	—	—	—	—	—	500	A7006-10-N**

A - sash rebate gap / C - sash overlap / B - sash groove position
** - for decorative covers in other colors look at p. 28

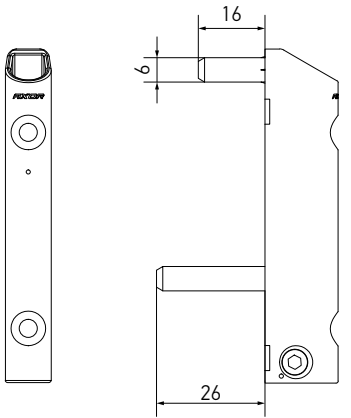


Drill-in corner hinge

Hinges

Drill-in corner hinge with gasket pressure adjustment, 6x16/26

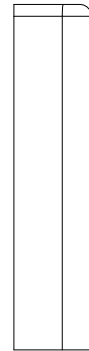
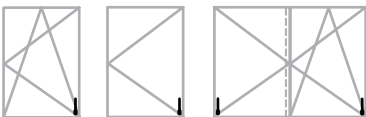
Cover of the drill-in corner hinge



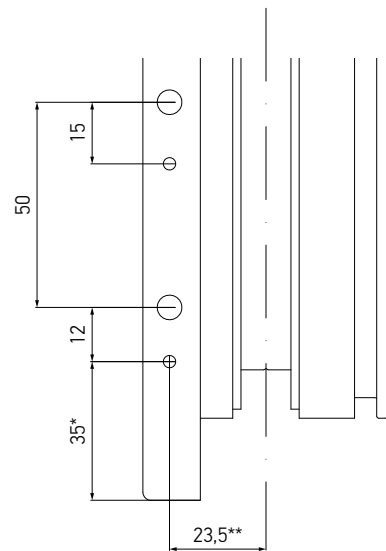
Clamp adjustment, ±0.8 mm

- used for 18-22 mm sash overlap;
- for appropriate sash hinge look at p. 16;
- for decorative covers in other colors look at p. 28.

* vertical adjustment, mm



Axis of sash groove position



- * for 20-mm sash overlap
- ** or 13-mm sash groove position

Description	Side opening	A	C	B	kg			Part No.
Drill-in corner hinge AD 6x16/26	L/R	—	—	—	130	2 / 4x40	250	A5006-00-N03
Description	Side opening	A	C	B	kg			Part No.
Drilling jig for sash hinges AD	L/R	12	20	13/9	—	∅3/6	80	A7003-10-N09
Drilling jig for sash hinges AD	L/R	12	21	13/9	—	∅3/6	80	A7003-30-N09
Description	Side opening	A	C	B	kg			Part No.
Cover of the drill-in corner hinge	L/R	—	—	—	—	—	500	A7006-10-N**

A - sash rebate gap / C - sash overlap / B - sash groove position
 ** - for decorative covers in other colors look at p. 28

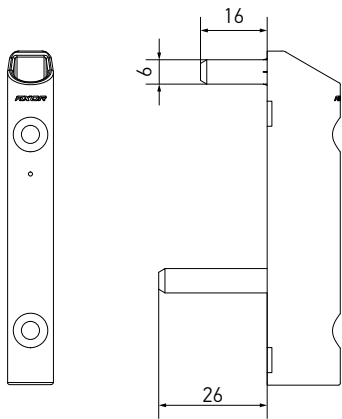


Drill-in corner hinge

Hinges

Drill-in corner hinge 6x16/26

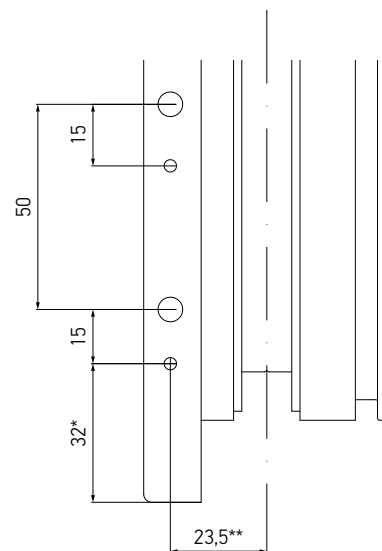
Cover of the drill-in corner hinge



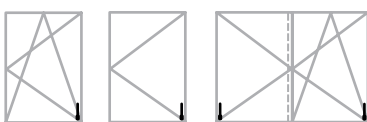
- used for 18-22 mm sash overlap;
- for appropriate sash hinge look at p. 15, 16;
- for decorative covers in other colors look at p. 28.

* vertical adjustment, mm

Axis of sash groove position

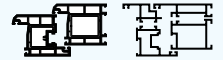


- * for 20-mm sash overlap
- ** or 13-mm sash groove position



Description	Side opening	A	C	B	kg			Part No.
Drill-in corner hinge 6x16/26	L/R	—	—	—	100	2 / 4x40	250	A5008-00-N03
Description	Side opening	A	C	B	kg			Part No.
Drilling jig for sash hinges	L/R	12	20	13/9	—	∅3/6	80	A7003-40-N09
Description	Side opening	A	C	B	kg			Part No.
Cover of the drill-in corner hinge	L/R	—	—	—	—	—	500	A7006-10-N**

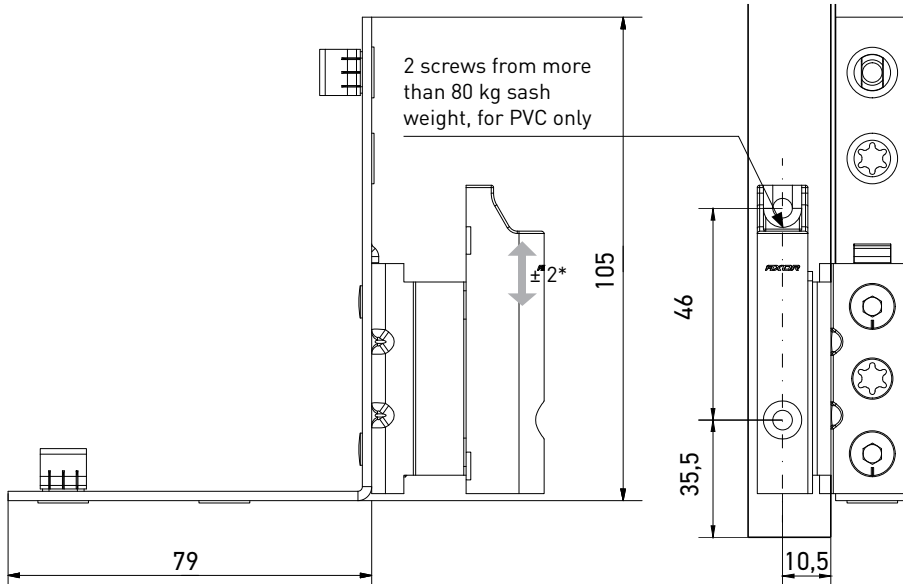
A - sash rebate gap / C - sash overlap / B - sash groove position
 ** - for decorative covers in other colors look at p. 28



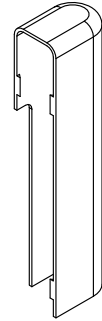
Rebate corner hinge

Hinges

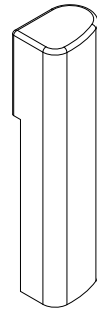
Rebate corner hinge



Cover of rebate corner hinge

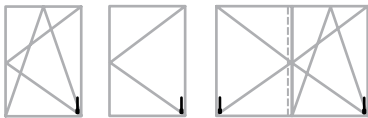


Cover of rebate corner hinge



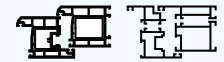
- used for 20 mm sash overlap;
- for appropriate sash hinge look at p. 15, 16;
- for decorative covers in other colors look at p. 28.

* vertical adjustment, mm



Description	Side opening	A	C	B	kg			Part No.
Rebate corner hinge 20/9 left/right	L/R	12	20	9	130	7	50	A5009-09-L/R03
Rebate corner hinge 18/9 left/right	L/R	12	18	9	130	7	50	A5010-09-L/R03
Rebate corner hinge 20/13 left/right	L/R	12	20	13	130	7	50	A5009-13-L/R03
Rebate corner hinge 18/13 left/right	L/R	12	18	13	130	7	50	A5010-13-L/R03
Cover of rebate corner hinge, left	L	—	—	—	—	—	500	A7009-00-L**
Cover of rebate corner hinge, right	R	—	—	—	—	—	500	A7009-00-R**
Cover of rebate corner hinge, left	L	—	—	—	—	—	500	A7085-00-L**
Cover of rebate corner hinge, right	R	—	—	—	—	—	500	A7085-00-R**

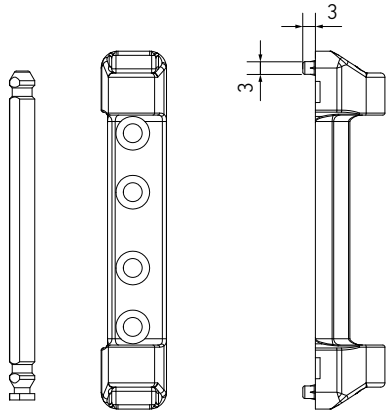
A - sash rebate gap / C - sash overlap / B - sash groove position
 ** - for decorative covers in other colors look at p. 28



Stay arm bearing

Hinges

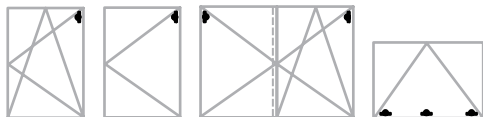
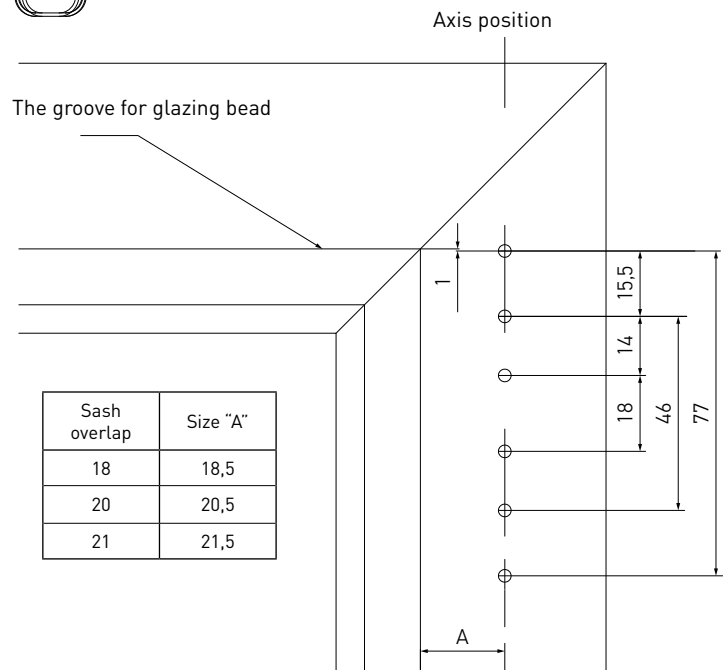
Stay arm bearing



Cover of stay arm bearing

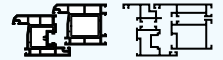


- for appropriate sash hinge look at p. 25;
- for decorative covers in other colors look at p. 28;
- the pin is supplied with hinge.



Description	Side opening	A	C	B	kg			Part No.
Stay arm bearing 3x3	L/R	12	—	—	100	4 / 3,9x40	250	A5001-00-N03
Description	Side opening	A	C	B	kg			Part No.
Drilling jig for frame hinges	L/R	12	20	—	—	∅3	50	A7002-00-N09
Drilling jig for frame hinges	L/R	12	21	—	—	∅3	50	A7002-20-N09
Description	Side opening	A	C	B	kg			Part No.
Cover of stay arm bearing	L/R	—	—	—	—	—	500	A7005-10-N**

A - sash rebate gap / C - sash overlap / B - sash groove position
 ** - for decorative covers in other colors look at p. 28

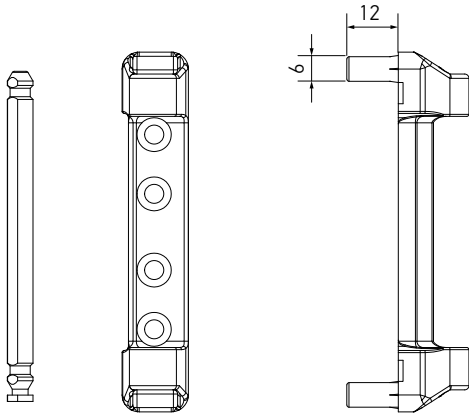


Stay arm bearing

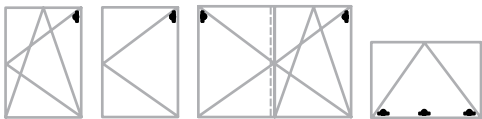
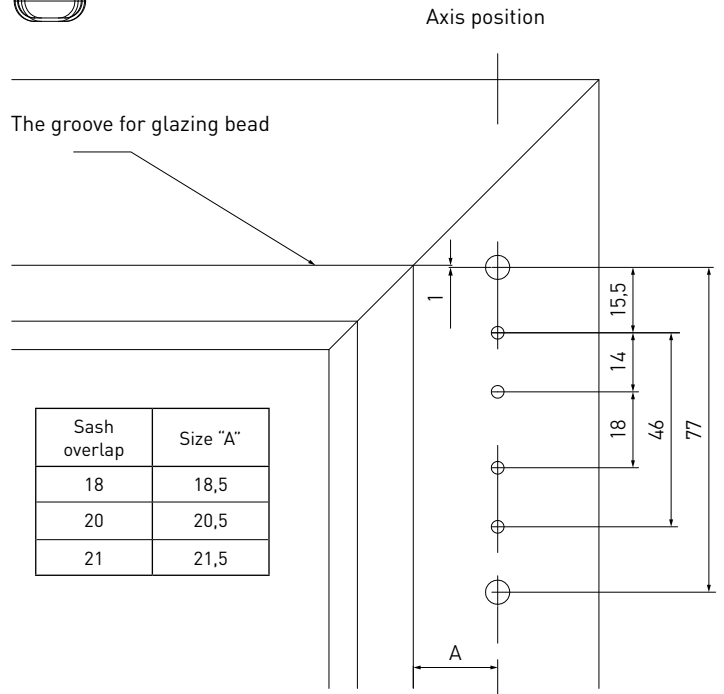
Hinges

Stay arm bearing 6x12

Cover of stay arm bearing



- for appropriate sash hinge look at p. 25;
- for decorative covers in other colors look at p. 28;
- the pin is supplied with hinge.



Description	Side opening	A	C	B	kg			Part No.
Stay arm bearing 6x12 mm	L/R	12	—	—	100	4 / 3,9x40	250	A5016-00-N03
Description	Side opening	A	C	B	kg			Part No.
Drilling jig for frame hinges	L/R	12	20	—	—	Ø3/6	50	A7002-10-N09
Drilling jig for frame hinges	L/R	12	21	—	—	Ø3/6	50	A7002-30-N09
Description	Side opening	A	C	B	kg			Part No.
Cover of stay arm bearing	L/R	—	—	—	—	—	500	A7005-10-N**

A - sash rebate gap / C - sash overlap / B - sash groove position
 ** - for decorative covers in other colors look at p. 28

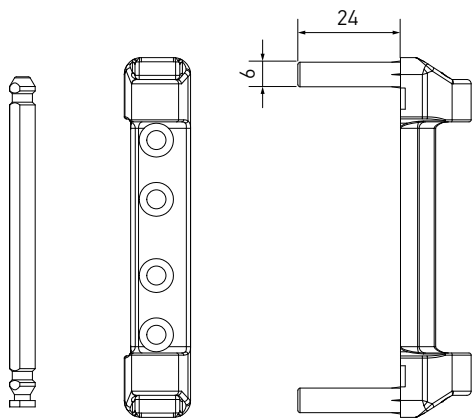


Stay arm bearing

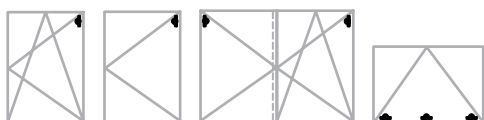
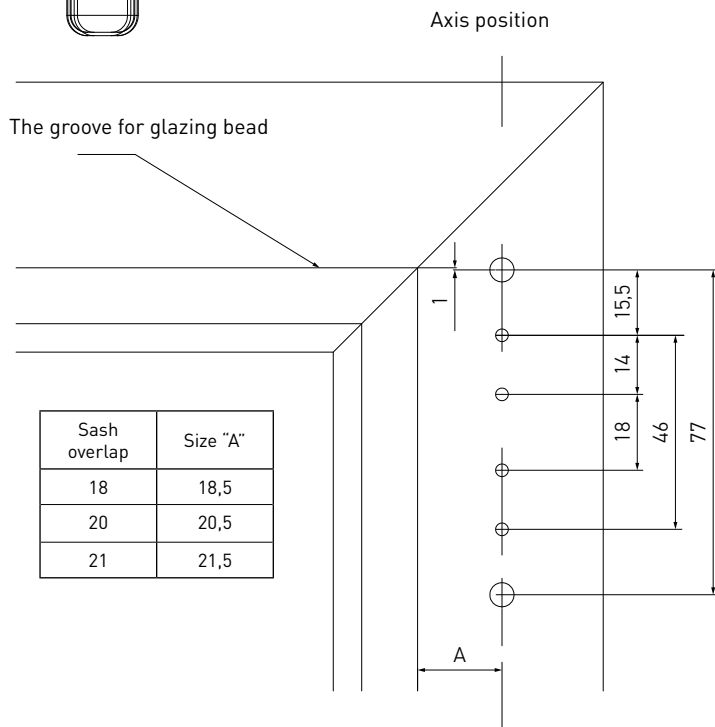
Hinges

Stay arm bearing 6x24

Cover of stay arm bearing

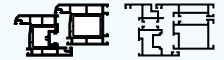


- for appropriate sash hinge look at p. 25;
- for decorative covers in other colors look at p. 28;
- the pin is supplied with hinge.



Description	Side opening	A	C	B	kg			Part No.
Stay arm bearing 6x24	L/R	12	—	—	130	4 / 3,9x40	250	A5005-00-N03
Description	Side opening	A	C	B	kg			Part No.
Drilling jig for frame hinges	L/R	12	20	—	—	∅3/6	50	A7002-10-N09
Drilling jig for frame hinges	L/R	12	21	—	—	∅3/6	50	A7002-30-N09
Description	Side opening	A	C	B	kg			Part No.
Cover of stay arm bearing	L/R	—	—	—	—	—	500	A7005-10-N**

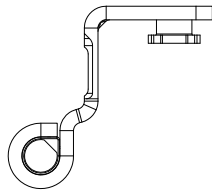
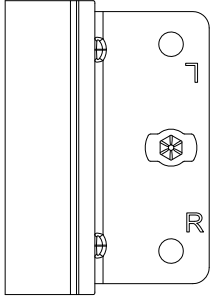
A - sash rebate gap / C - sash overlap / B - sash groove position
 ** - for decorative covers in other colors look at p. 28



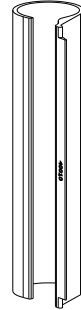
Top sash hinge

Hinges

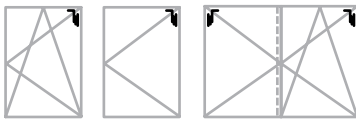
Top sash hinge



Cover of top sash hinge



- for appropriate sash hinge look at p. 22-24;
- for decorative covers in other colors look at p. 28;
- installation with 4-mm hexagonal key.



Description	Side opening	A	C	B	kg			Part No.
Top sash hinge 12/20-9	L/R	12	20	9	130	—	150	K5001-09-N03
Top sash hinge 12/20-10	L/R	12	20	9	130	—	150	K5001-10-N03
Top sash hinge 12/20-13	L/R	12	20	13	130	—	150	K5001-13-N03
Top sash hinge 12/20-14	L/R	12	20	13	130	—	150	K5001-14-N03
Top sash hinge 12/21-13	L/R	12	21	13	130	—	150	K5004-13-N03
Top sash hinge 12/18-09	L/R	12	18	9	130	—	150	K5006-09-N03
Top sash hinge 12/18-13	L/R	12	18	9	130	—	150	K5006-13-N03
Description	Side opening	A	C	B	kg			Part No.
Cover of top sash hinge	L/R	—	—	—	—	—	500	A7004-10-N**

A - sash rebate gap / C - sash overlap / B - sash groove position
 ** - for decorative covers in other colors look at p. 28

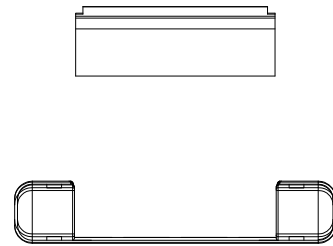
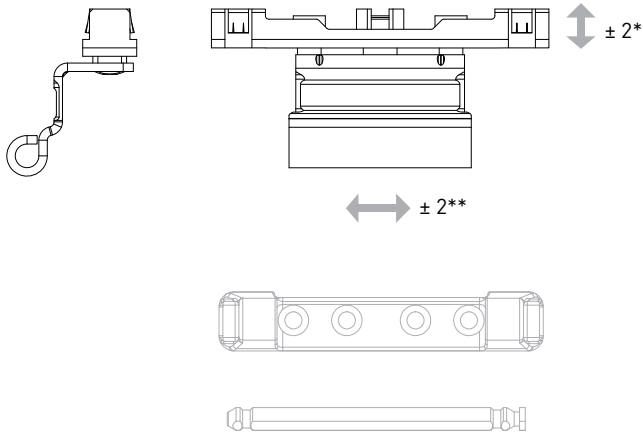


Bottom hinges for tilt sash

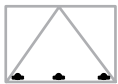
Hinges

Bottom hinges for tilt sash

Cover of top sash hinge

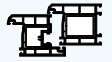


- * vertical adjustment, mm;
- ** horizontal adjustment, mm;
- *** ONLY FOR TILT SASH.



Description	Side opening	A	C	B	kg			Part No.
Bottom hinges for tilt sash 12/20-9	L/R	12	20	9	50*	2 / 4x25	100	A7014-09-N03
Bottom hinges for tilt sash 12/20-13	L/R	12	20	13	50*	2 / 4x25	100	A7014-13-N03
Description	Side opening	A	C	B	kg			Part No.
Cover of top sash hinge	L/R	—	—	—	—	—	500	A7004-10-N**

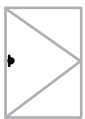
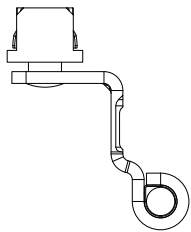
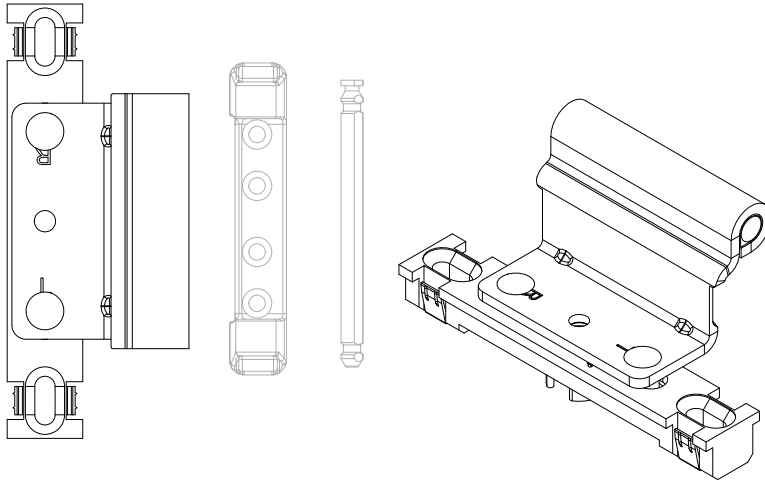
A - sash rebate gap / C - sash overlap / B - sash groove position
 * - for 2-hinges set
 ** - for decorative covers in other colors look at p. 28



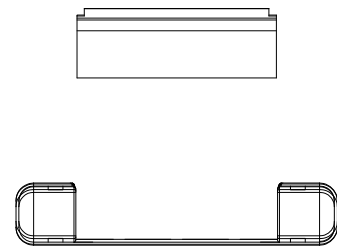
Middle hinge

Hinges

Middle hinge



Cover of top sash hinge



Description	SRH(mm)		A	C	B	kg			Part No.
Middle hinge 12/20-9	751-1710	1	12	20	9	50*	2 / 4x25	100	A7030-09-N03
	1711-2360	2							
Middle hinge 12/20-13	751-1710	1	12	20	13	50*	2 / 4x25	100	A7030-13-N03
	1711-2360	2							
Description	SRH(mm)		A	C	B	kg			Part No.
Cover of top sash hinge	751-1710	1	—	—	—	—	—	500	A7004-10-N**
	1711-2360	2	—	—	—	—			

A - sash rebate gap / C - sash overlap / B - sash groove position





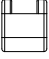
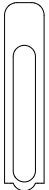


* - for 2-hinges set

** - for decorative covers in other colors look at p. 28



Covers

Hinges

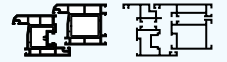
Description	Sketch	Color		Part No.
Cover of top sash hinge		White RAL 9016	500	A7004-10-N01
		Brown RAL 8022	500	A7004-10-N02
		Silver F1	500	A7004-10-N03
		Cream RAL 9001	500	A7004-10-N04
		Gold F3	500	A7004-10-N05
		Bronze F4	500	A7004-10-N06
		Black RAL 9005	500	A7004-10-N07
Cover of stay arm bearing		White RAL 9016	500	A7005-10-N01
		Brown RAL 8022	500	A7005-10-N02
		Silver F1	500	A7005-10-N03
		Cream RAL 9001	500	A7005-10-N04
		Gold F3	500	A7005-10-N05
		Bronze F4	500	A7005-10-N06
		Black RAL 9005	500	A7005-10-N07
Cover of the drill-in corner hinge		White RAL 9016	500	A7006-10-N01
		Brown RAL 8022	500	A7006-10-N02
		Silver F1	500	A7006-10-N03
		Cream RAL 9001	500	A7006-10-N04
		Gold F3	500	A7006-10-N05
		Bronze F4	500	A7006-10-N06
		Black RAL 9005	500	A7006-10-N07
Bottom cover of corner bearing		White RAL 9016	500	A7007-10-N01
		Brown RAL 8022	500	A7007-10-N02
		Silver F1	500	A7007-10-N03
		Cream RAL 9001	500	A7007-10-N04
		Gold F3	500	A7007-10-N05
		Bronze F4	500	A7007-10-N06
		Black RAL 9005	500	A7007-10-N07
Top cover of corner bearing		White RAL 9016	500	A7008-10-N01
		Brown RAL 8022	500	A7008-10-N02
		Silver F1	500	A7008-10-N03
		Cream RAL 9001	500	A7008-10-N04
		Gold F3	500	A7008-10-N05
		Bronze F4	500	A7008-10-N06
		Black RAL 9005	500	A7008-10-N07
Cover of rebate corner hinge		White RAL 9016	500	A7009-10-L01/R01
		Brown RAL 8022	500	A7009-10-L02/R02
		Silver F1	500	A7009-10-L03/R03
		Cream RAL 9001	500	A7009-10-L04/R04
		Gold F3	500	A7009-10-L05/R05
		Bronze F4	500	A7009-10-L06/R06
		Black RAL 9005	500	A7009-10-L07/R07
Cover of rebate corner hinge		White RAL 9016	500	A7085-00-L01/R01
		Brown RAL 8022	500	A7085-00-L02/R02
		Silver F1	500	A7085-00-L03/R03
		Cream RAL 9001	500	A7085-00-L04/R04
		Gold F3	500	A7085-00-L05/R05
		Bronze F4	500	A7085-00-L06/R06
		Black RAL 9005	500	A7085-00-L07/R07

AXORTM

KOMFORT LINE K-3

Gears

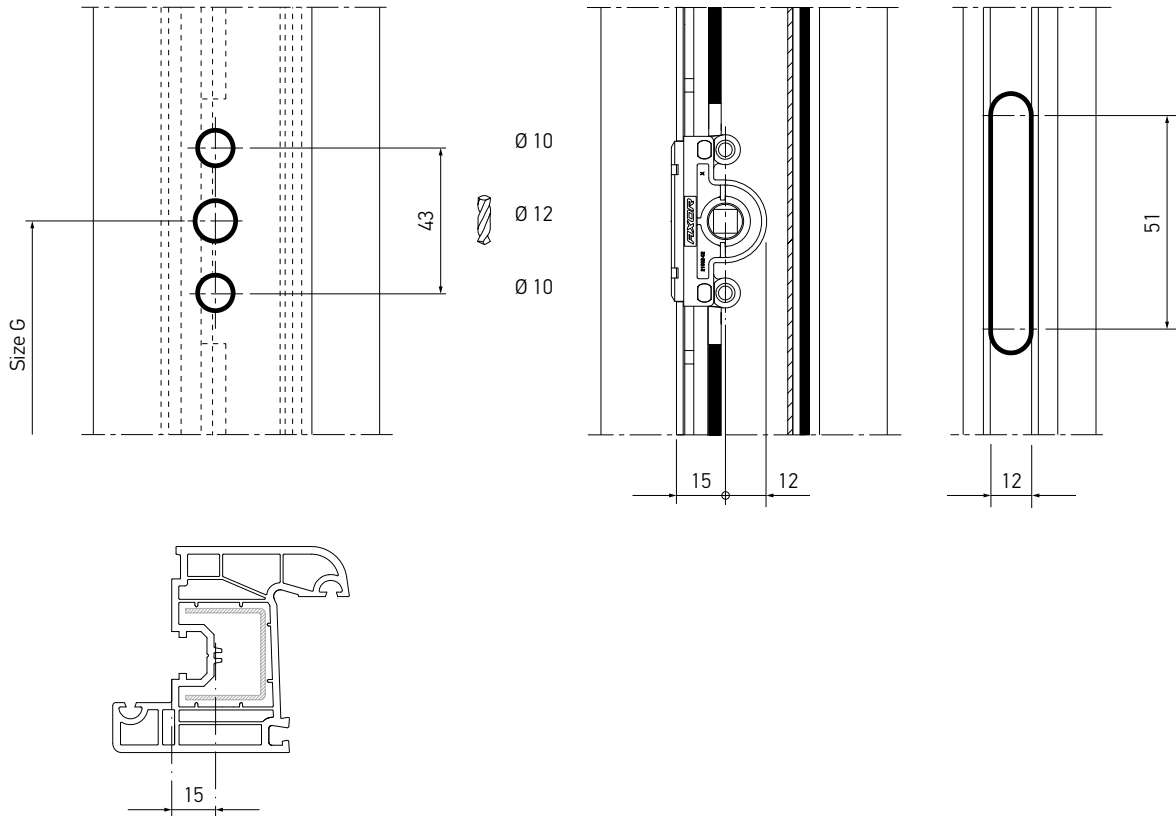
AXOR

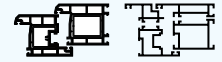


**Drilling and milling a sash
for 15-mm backset gear**

Gears

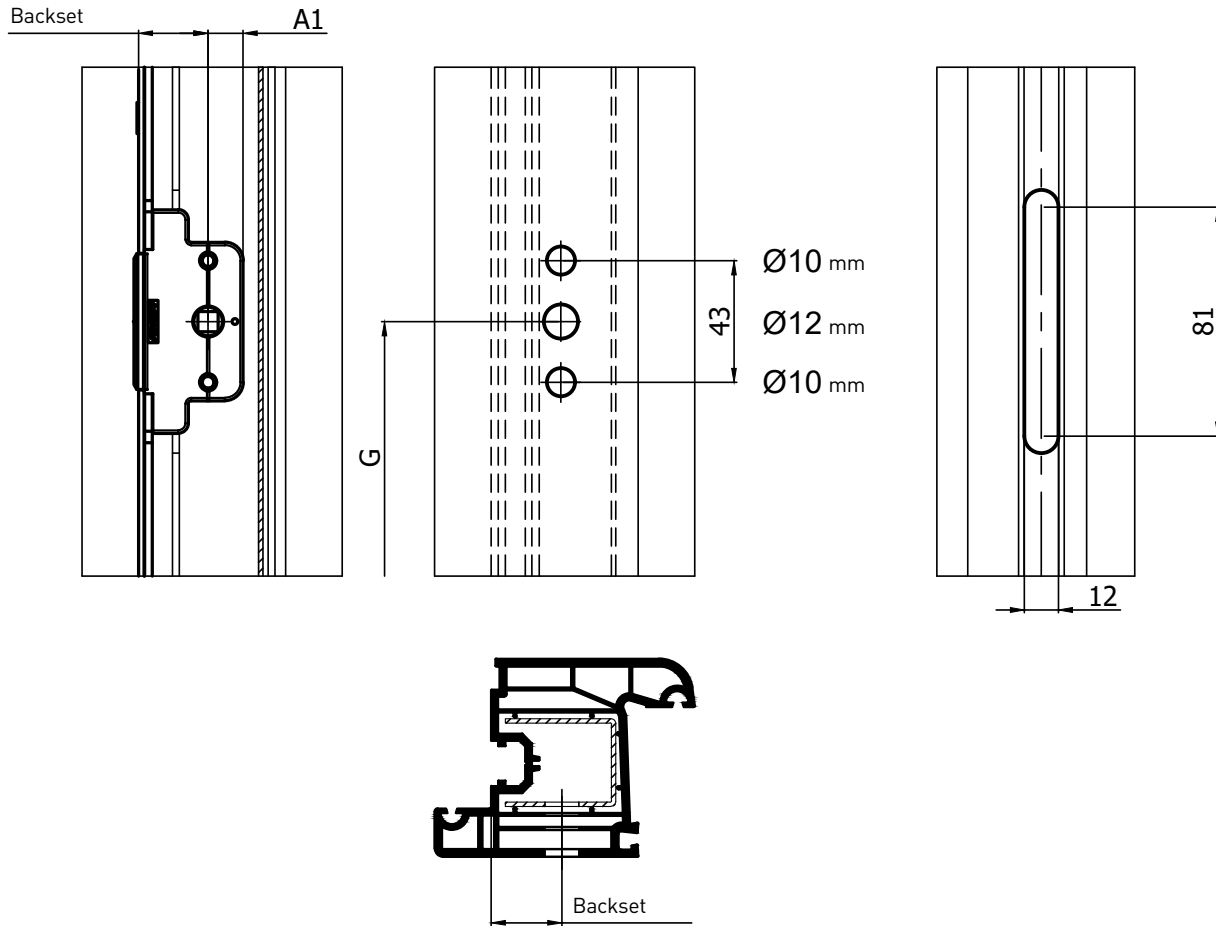
Drilling and milling a sash for 15-mm backset gear



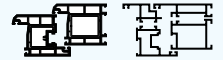


Drilling and milling a sash for 25, 30, 35-mm backset gear

Drilling and milling a sash for 25, 30, 35-mm backset gear,
handle position is central



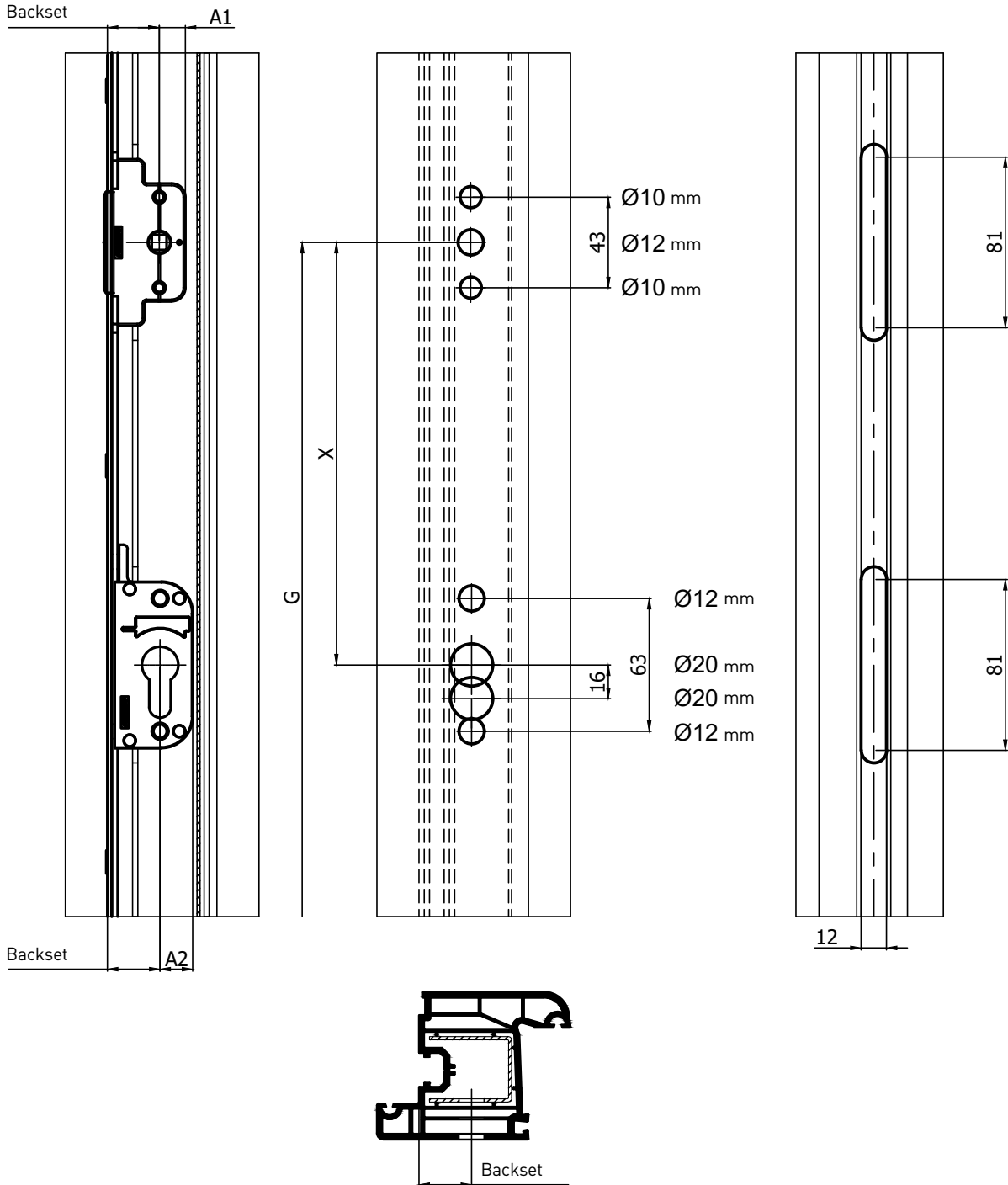
Backset	A1, mm	A2, mm
25	12,4	15,5
30	12,4	15,5
35	12,4	15,5



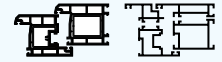
Drilling and milling a sash for 25, 30, 35-mm backset gear

Gears

Drilling and milling a sash for 25, 30, 35-mm backset gear,
lockeable, handle position is central



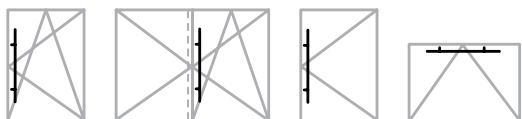
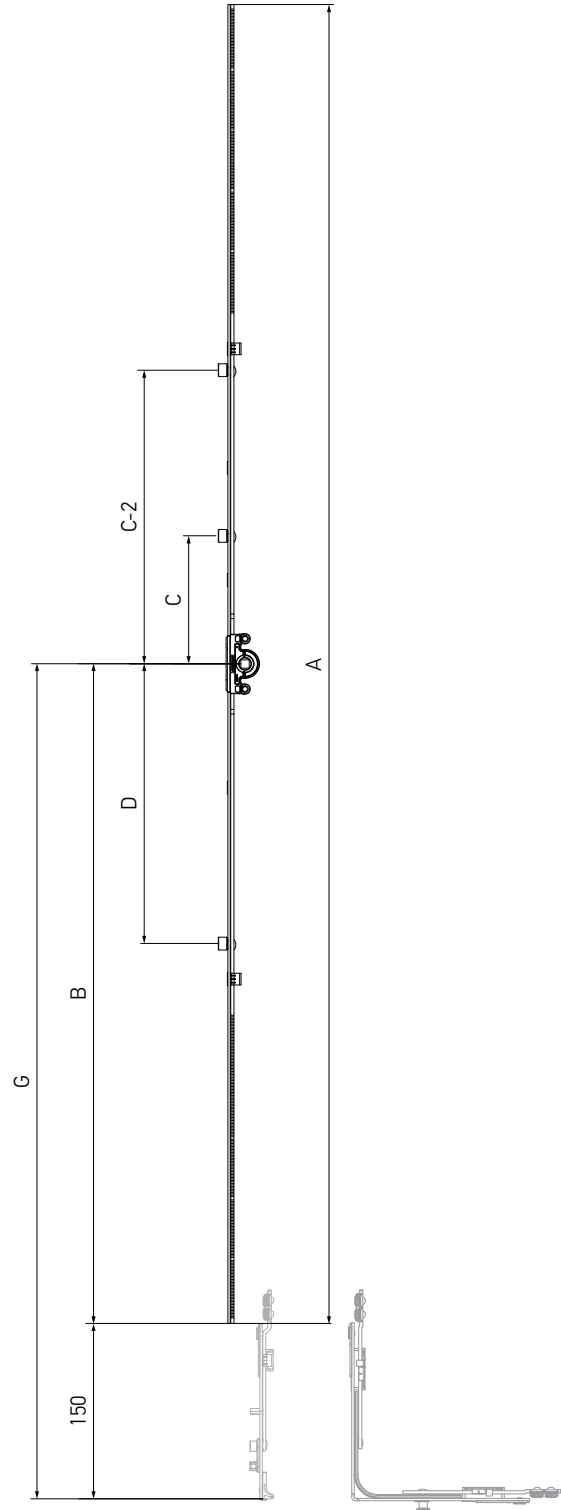
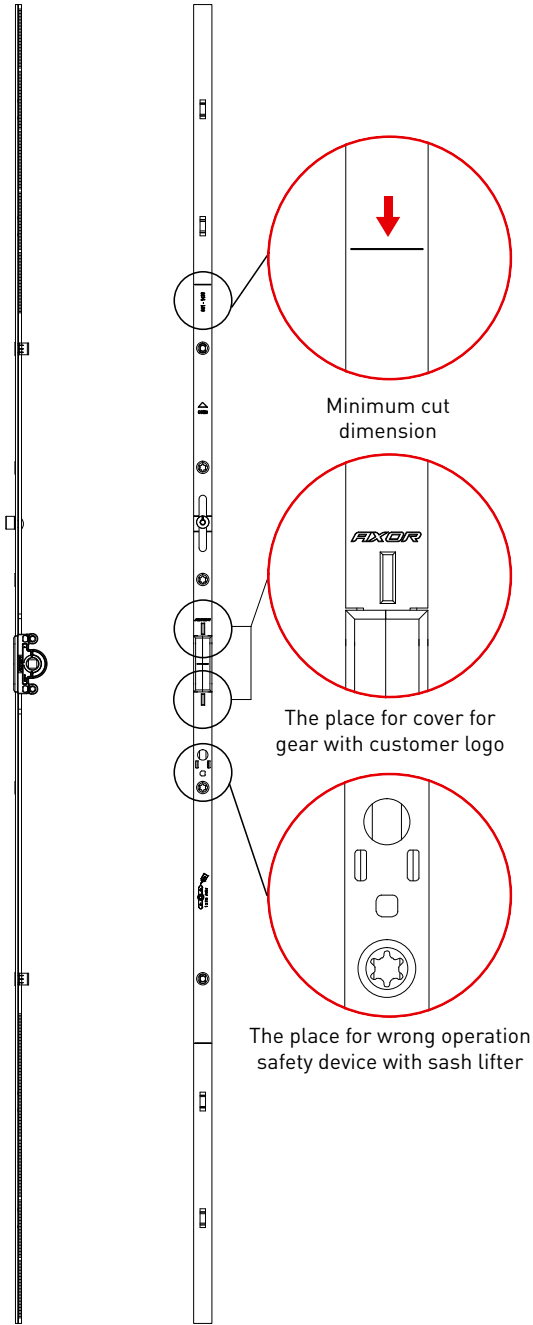
Backset	A1, mm	A2, mm
25	12,4	15,5
30	12,4	15,5
35	12,4	15,5

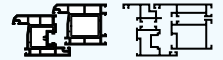


Tilt and turn variable gear

Gears

Tilt and turn variable gear





Tilt and turn variable gear

Gears

Description	SRH (mm)	Dimensions										Part No.
		G	A	B	C	C-2	D					
Tilt and turn variable gear 0, L=250, 450-550*	450-550	225-275	250	125	—	—	—	—	—	—	20	K1001-02-N03
Tilt and turn variable gear 1, L=450, 551-750*	551-750	275-375	450	225	—	—	—	—	—	2	20	K1001-04-N03
Tilt and turn variable gear 2, L=930, 751-1230, 1 ML	751-1230	375-615	930	465	120	—	—	1	—	4	20	K1001-09-N03
Tilt and turn variable gear 3, L=1130, 950-1430, 1 ML	950-1430	475-715	1130	565	120	—	—	1	—	5	20	K1001-11-N03
Tilt and turn variable gear 4, L=1410, 1231-1710, 2 ML	1231-1710	615-855	1410	705	120	—	290	2	—	6	20	K1001-14-N03
Tilt and turn variable gear 5, L=1610, 1431-1910, 2 ML	1431-1910	715-955	1610	805	265	—	390	2	—	7	10	K1001-16-N03
Tilt and turn variable gear 6, L=2090, 1911-2390, 3 ML	1911-2390	955-1195	2090	1045	120	595	490	3	—	11	10	K1001-21-N03
Tilt and turn variable gear 2, L=930, 751-1230, 1 ML, Se	751-1230	375-615	930	465	120	—	—	—	1	4	20	K1031-09-N03
Tilt and turn variable gear 3, L=1130, 950-1430, 1 ML, Se	950-1430	475-715	1130	565	120	—	—	—	1	5	20	K1031-11-N03
Tilt and turn variable gear 4, L=1410, 1231-1710, 2 ML, Se	1231-1710	615-855	1410	705	120	—	290	—	2	6	20	K1031-14-N03
Tilt and turn variable gear 5, L=1610, 1431-1910, 2 ML, Se	1431-1910	715-955	1610	805	265	—	390	—	2	7	10	K1031-16-N03
Tilt and turn variable gear 6, L=2090, 1911-2390, 3 ML, Se	1911-2390	955-1195	2090	1045	120	595	490	—	3	11	10	K1031-21-N03

* There is not a place for the micro lift

- Handle position is central;

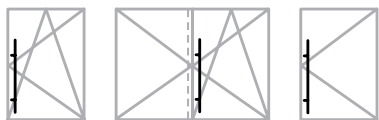
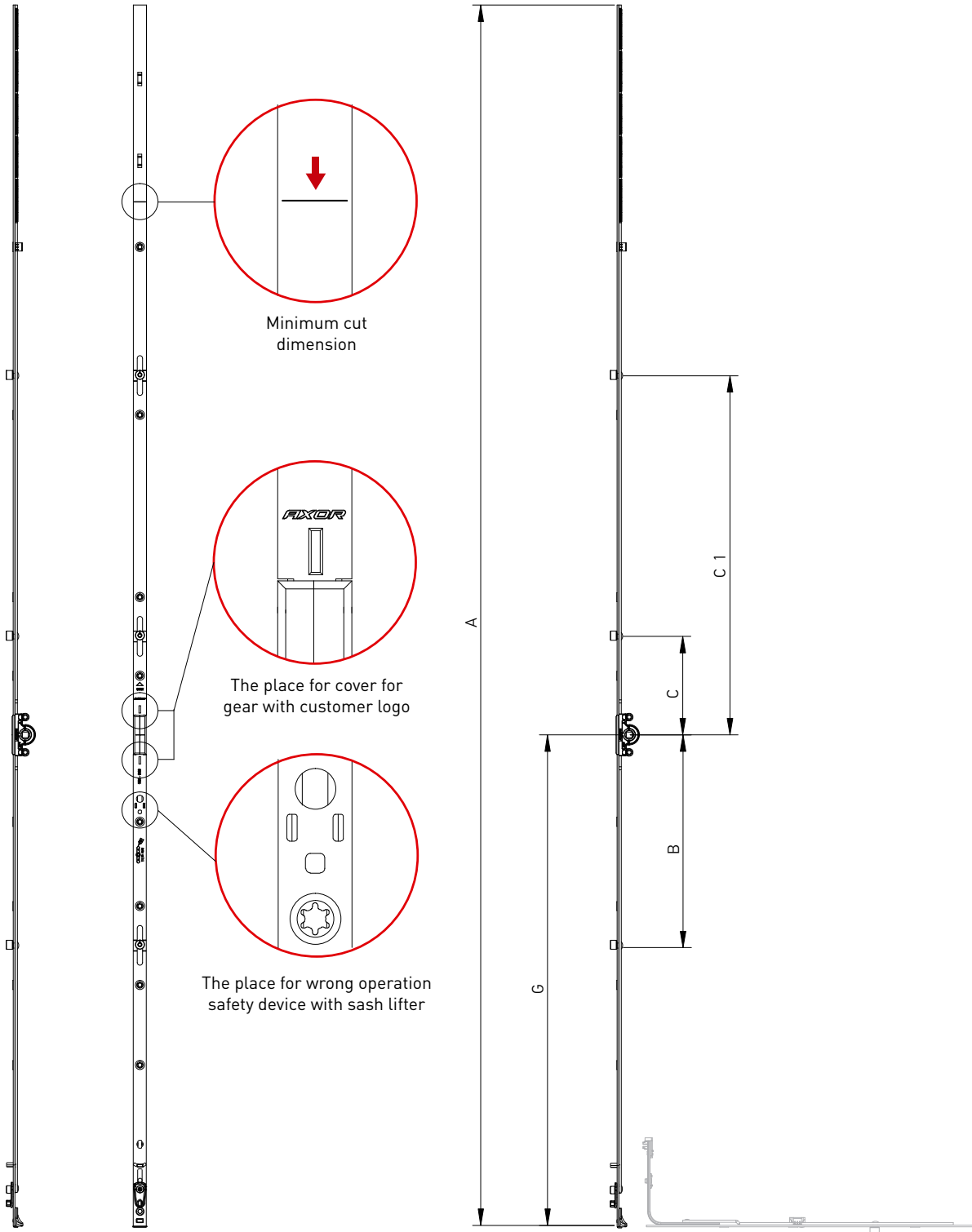
- Backset 15 mm..



Constant tilt & turn gear

Gears

Constant tilt & turn gear





Constant tilt & turn gear

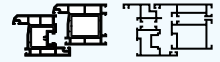
Gears

Description	SRH (mm)	Dimensions									Part No.
		G	A	B	C	C-1					
Constant gear 0**, L=400, 360-550	360-550	140	400	0	0	0	—	—	1	20	K1004-04-N03
Constant gear 1, L=350, G=175, 400-500*	400-500	175	350	—	—	—	—	—	2	20	K1004-03-N03
Constant gear 2, L=530, G=200, 480-680*	480-680	200	530	—	—	—	—	—	3	20	K1004-05-N03
Constant gear 3, L=770, G=300, 681-920	681-920	300	770	—	120	—	1	—	5	20	K1004-08-N03
Constant gear 4, L=1010, G=450, 921-1160	921-1160	450	1010	—	120	—	1	—	5	20	K1004-10-N03
Constant gear 5, L=1250, G=600, 1161-1400	1161-1400	600	1250	—	120	—	1	—	7	20	K1004-12-N03
Constant gear 6, L=1490, G=600, 1401-1640	1401-1640	600	1490	—	120	438	2	—	8	20	K1004-15-N03
Constant gear 7, L=1730, G=600, 1641-1880	1641-1880	600	1730	—	120	643	2	—	9	10	K1004-17-N03
Constant gear 8, L=1730, G=1000, 1641-1880	1641-1880	1000	1730	280	263	—	2	—	10	10	K1004-18-N03
Constant gear 9, L=1970, G=1000, 1881-2120	1881-2120	1000	1970	280	387	—	2	—	11	10	K1004-20-N03
Constant gear 10, L=2210, G=1000, 2121-2360	2120-2360	1000	2210	280	120	723	3	—	13	10	K1004-22-N03
Constant gear 3, L=770, G=300, 681-920	681-920	300	770	—	120	—	—	1	5	20	K1034-08-N03
Constant gear 4, L=1010, G=450, 921-1160	921-1160	450	1010	—	120	—	—	1	5	20	K1034-10-N03
Constant gear 5, L=1250, G=600, 1161-1400	1161-1400	600	1250	—	120	—	—	1	7	20	K1034-12-N03
Constant gear 6, L=1490, G=600, 1401-1640	1401-1640	600	1490	—	120	438	—	2	8	20	K1034-15-N03
Constant gear 7, L=1730, G=600, 1641-1880	1641-1880	600	1730	—	120	643	—	2	9	10	K1034-17-N03
Constant gear 8, L=1730, G=1000, 1641-1880	1641-1880	1000	1730	280	263	—	—	2	10	10	K1034-18-N03
Constant gear 9, L=1970, G=1000, 1881-2120	1881-2120	1000	1970	280	387	—	—	2	11	10	K1034-20-N03
Constant gear 10, L=2210, G=1000, 2121-2360	2120-2360	1000	2210	280	120	723	—	3	13	10	K1034-22-N03

* there is not a place for the micro lift;

**gear 0 can't be connected with middle lock;

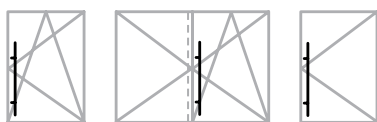
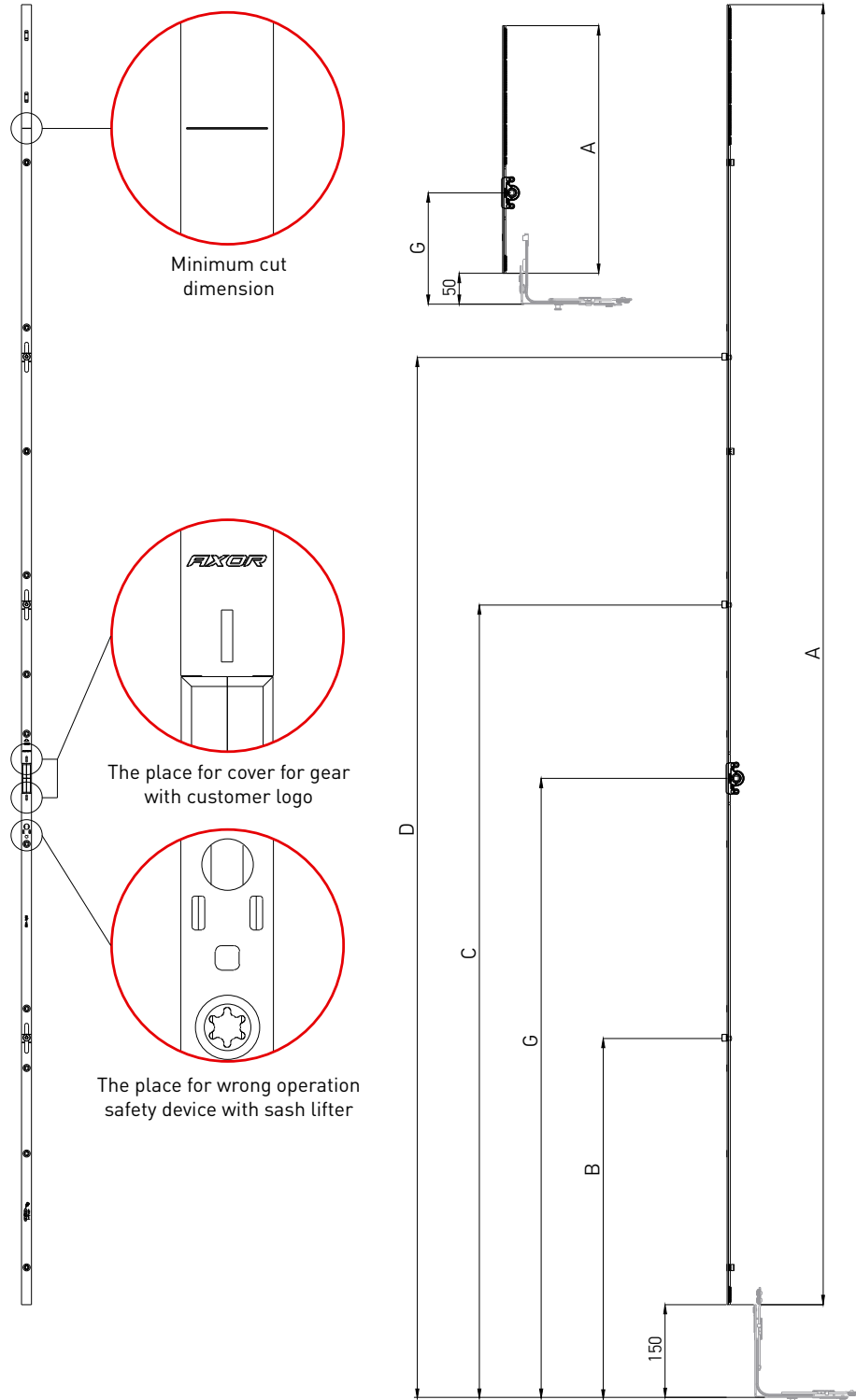
- Backset 15 mm..

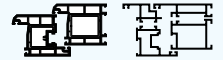


Constant tilt & turn gear

Gears

Constant tilt & turn gear





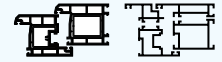
Constant tilt & turn gear

Gears

Description	SRH (mm)	Dimensions								Part No.
		G	A	B	C	D				
Constant gear L=400, G=180, 400-600*	400-600	180	400	—	—	—	—	0	20	K1006-04-N03
Constant gear L=500, G=300, 601-800**	601-800	300	500	—	—	—	—	2	20	K1006-05-N03
Constant gear L=700, G=400, 801-1000	801-1000	400	700	—	480	—	1	3	20	K1006-07-N03
Constant gear L=900, G=500, 1001-1200	1001-1200	500	900	—	680	—	1	5	20	K1006-09-N03
Constant gear L=1100, G=500, 1201-1400	1201-1400	500	1100	—	680	—	1	6	20	K1006-11-N03
Constant gear L=1300, G=500, 1401-1600	1401-1600	500	1300	—	780	—	1	7	20	K1006-13-N03
Constant gear L=1500, G=500, 1601-1800	1601-1800	700	1500	—	780	1280	2	7	20	K1006-15-N03
Constant gear L=1700, G=1000, 1801-2000	1801-2000	1000	1700	780	1280	—	2	10	10	K1006-17-N03
Constant gear L=1900, G=1000, 2001-2200	2001-2200	1000	1900	780	1580	—	2	11	10	K1006-19-N03
Constant gear L=2100, G=1000, 2201-2400	2201-2400	1000	2100	580	1280	1680	3	11	10	K1006-21-N03

*connecting with narrow corner transmission

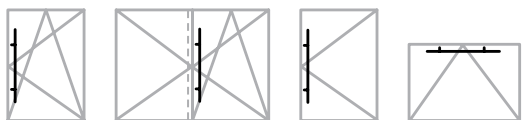
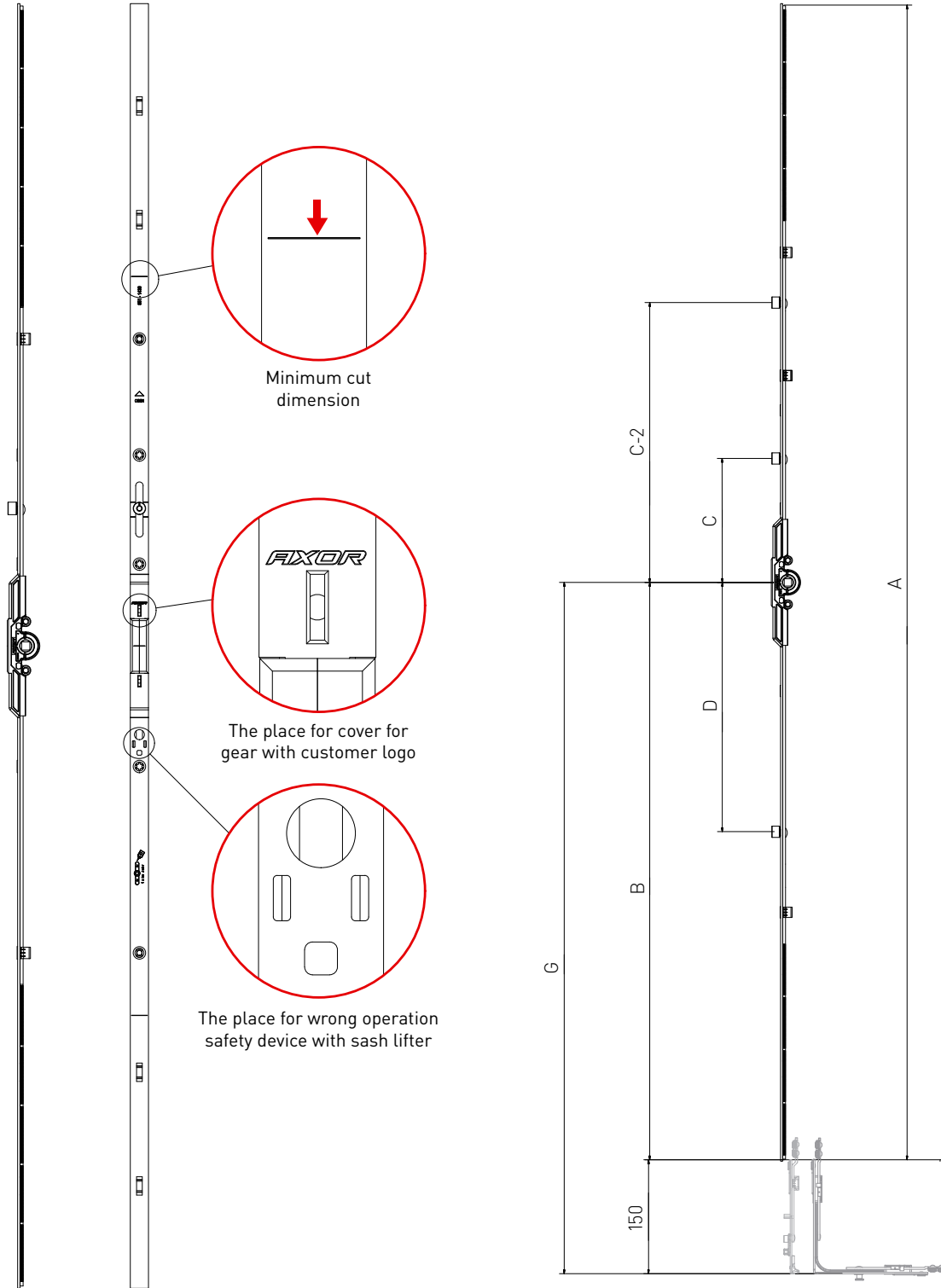
**there is not a place for the micro lift

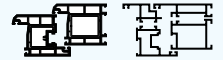


Tilt and turn variable gear

Gears

Tilt and turn variable for 7.5-mm backset gear



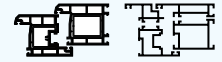


Tilt and turn variable gear

Gears

Description	SRH (mm)	Dimensions						G	A	B	C	C-2	D				Part No.
		G	A	B	C	C-2	D										
Gear variable L= 450, 551-750, backset 7,5 mm*	551-750	275-375	450	225	—	—	—	—	—	—	—	—	—	2	20	K1011-04-N03	
Gear variable L= 930, 751-1230, 1 ML, backset 7,5 mm	751-1230	375-615	930	465	120	—	—	1	—	4	20	K1011-09-N03					
Gear variable L= 1130, 950-1430, 1 ML, backset 7,5 mm	950-1430	475-715	1130	565	120	—	—	1	—	5	20	K1011-11-N03					
Gear variable L= 1410, 1231-1710, 2 ML, backset 7,5 mm	1231-1710	615-855	1410	705	120	—	290	2	—	6	10	K1011-14-N03					
Gear variable L= 1610, 1431-1910, 2 ML, backset 7,5 mm	1431-1910	715-955	1610	805	265	—	390	2	—	7	10	K1011-16-N03					
Gear variable L= 2090, 1911-2390, 3 ML, backset 7,5 mm	1911-2390	955-1195	2090	1045	120	595	490	3	—	11	10	K1011-21-N03					
Gear variable L= 930, 751-1230, 1 ML, Se, backset 7,5 mm	751-1230	375-615	930	465	120	—	—	—	1	4	20	K1041-09-N03					
Gear variable L= 1130, 950-1430, 1 ML, Se, backset 7,5 mm	950-1430	475-715	1130	565	120	—	—	—	1	5	20	K1041-11-N03					
Gear variable L= 1410, 1231-1710, 2 ML, Se, backset 7,5 mm	1231-1710	615-855	1410	705	120	—	290	—	2	6	20	K1041-14-N03					
Gear variable L= 1610, 1431-1910, 2 ML, Se, backset 7,5 mm	1431-1910	715-955	1610	805	265	—	390	—	2	7	10	K1041-16-N03					
Gear variable L= 2090, 1911-2390, 3 ML, Se, backset 7,5 mm	1911-2390	955-1195	2090	1045	120	595	490	—	3	11	10	K1041-21-N03					

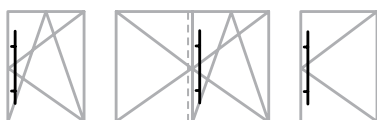
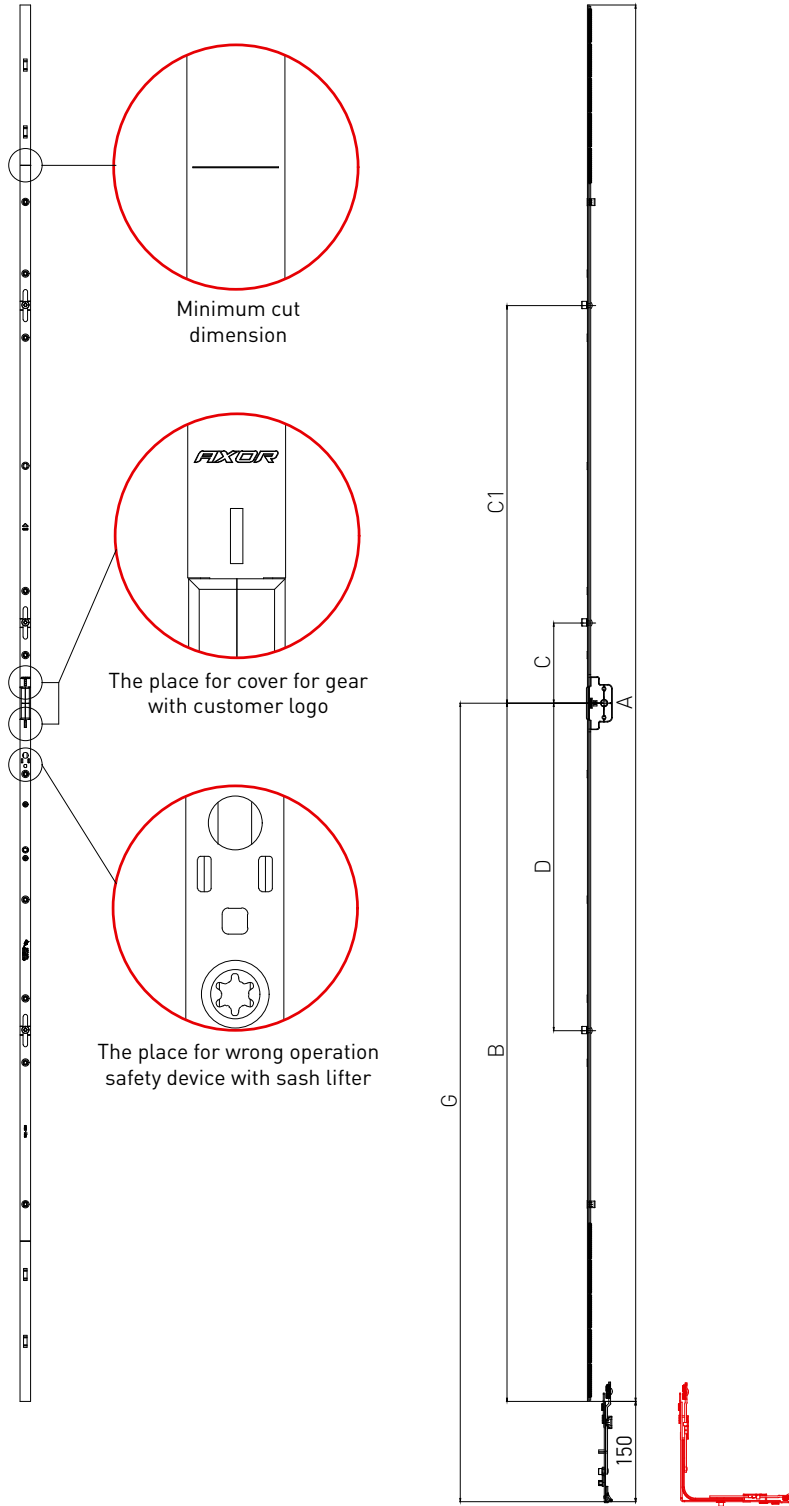
* there is not a place for the micro lift;

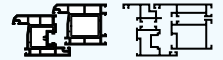


Tilt and turn variable gear

Gears

Tilt and turn variable gear, handle position is central, backset 25, 30, 35 mm.





Tilt and turn variable gear

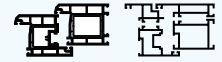
Gears

Description	SRH (mm)	Dimensions									Part No.
		A	B	C	C-1	D	G				
Gear variable L= 1610, 1431-1910, backset 25 mm*	1431-1910	1610	805	—	265	390	715-955	2	7	10	K1042-16-N03
Gear variable L= 2090, 1911-2390, backset 25 mm*	1911-2390	2090	1045	120	595	490	955-1195	3	11	10	K1042-21-N03
Gear variable L= 1610, 1431-1910, backset 30 mm*	1431-1910	1610	805	—	265	390	715-955	2	7	10	K1044-16-N03
Gear variable L= 2090, 1911-2390, backset 30 mm*	1911-2390	2090	1045	120	595	490	955-1195	3	11	10	K1044-21-N03
Gear variable L= 1610, 1431-1910, backset 35 mm*	1431-1910	1610	805	—	265	390	715-955	2	7	10	K1046-16-N03
Gear variable L= 2090, 1911-2390, backset 35 mm*	1911-2390	2090	1045	120	595	490	955-1195	3	11	10	K1046-21-N03
Gear variable L= 1610, 1431-1910, backset 25 mm**	1431-1910	1610	805	—	265	390	715-955	2	7	10	K1019-16-N03
Gear variable L= 2090, 1911-2390, backset 25 mm**	1911-2390	2090	1045	120	595	490	955-1195	3	11	10	K1019-21-N03
Gear variable L= 1610, 1431-1910, backset 30 mm**	1431-1910	1610	805	—	265	390	715-955	2	7	10	K1021-16-N03
Gear variable L= 2090, 1911-2390, backset 30 mm**	1911-2390	2090	1045	120	595	490	955-1195	3	11	10	K1021-21-N03
Gear variable L= 1610, 1431-1910, backset 35 mm**	1431-1910	1610	805	—	265	390	715-955	2	7	10	K1023-16-N03
Gear variable L= 2090, 1911-2390, backset 35 mm**	1911-2390	2090	1045	120	595	490	955-1195	3	11	10	K1023-21-N03

* 2-side handle, locking parts with through holes with a diameter of 6.5 mm;

** locking parts with threaded holes M5;

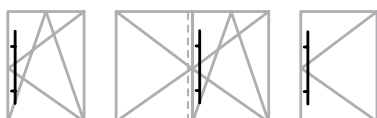
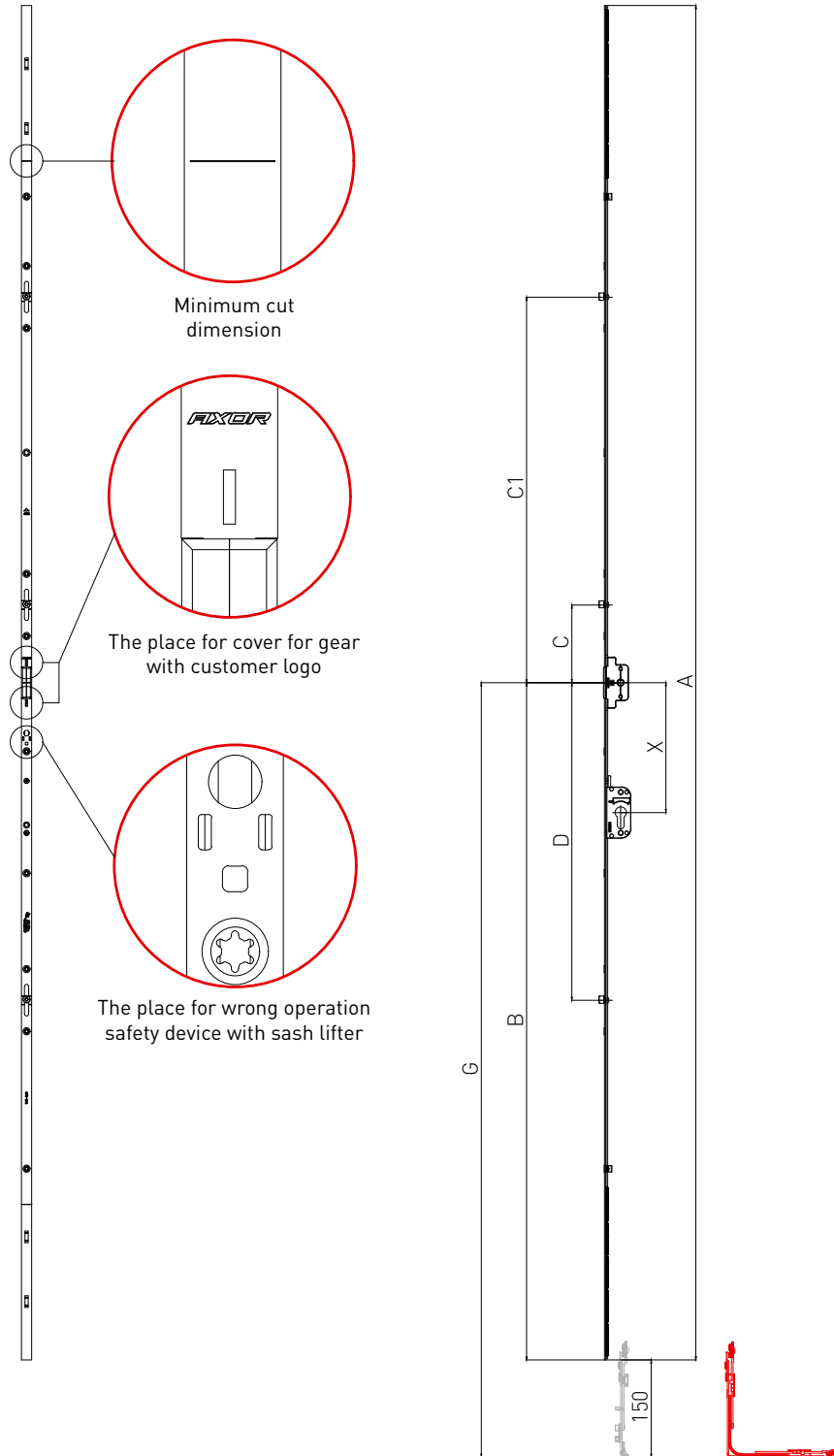
- handle position is central.

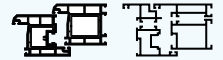


Tilt and turn variable gear PZ

Gears

Tilt and turn variable gear PZ, backset 25, 30, 35 mm.





Tilt and turn variable gear PZ

Gears

Description	SRH (mm)	Dimensions										Part No.
		A	B	C	C-1	D	G	X				
Gear variable L= 1610, 1431-1910, backset 25 mm*	1431-1910	1610	805	—	265	390	715-955	200	2	7	10	K1043-16-N03
Gear variable L= 2090, 1911-2390, backset 25 mm*	1911-2390	2090	1045	120	595	490	955-1195	200	3	11	10	K1043-21-N03
Gear variable L= 1610, 1431-1910, backset 30 mm*	1431-1910	1610	805	—	265	390	715-955	200	2	7	10	K1045-16-N03
Gear variable L= 2090, 1911-2390, backset 30 mm*	1911-2390	2090	1045	120	595	490	955-1195	200	3	11	10	K1045-21-N03
Gear variable L= 1610, 1431-1910, backset 35 mm*	1431-1910	1610	805	—	265	390	715-955	200	2	7	10	K1047-16-N03
Gear variable L= 2090, 1911-2390, backset 35 mm*	1911-2390	2090	1045	120	595	490	955-1195	200	3	11	10	K1047-21-N03
Gear variable L= 1610, 1431-1910, backset 25 mm**	1431-1910	1610	805	—	265	390	715-955	200	2	7	10	K1020-16-N03
Gear variable L= 2090, 1911-2390, backset 25 mm**	1911-2390	2090	1045	120	595	490	955-1195	200	3	11	10	K1020-21-N03
Gear variable L= 1610, 1431-1910, backset 30 mm**	1431-1910	1610	805	—	265	390	715-955	200	2	7	10	K1022-16-N03
Gear variable L= 2090, 1911-2390, backset 30 mm**	1911-2390	2090	1045	120	595	490	955-1195	200	3	11	10	K1022-21-N03
Gear variable L= 1610, 1431-1910, backset 35 mm**	1431-1910	1610	805	—	265	390	715-955	200	2	7	10	K1024-16-N03
Gear variable L= 2090, 1911-2390, backset 35 mm**	1911-2390	2090	1045	120	595	490	955-1195	200	3	11	10	K1024-21-N03

* 2-side handle, locking parts with through holes with a diameter of 6.5 mm;

** locking parts with threaded holes M5.

- lockable;

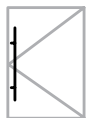
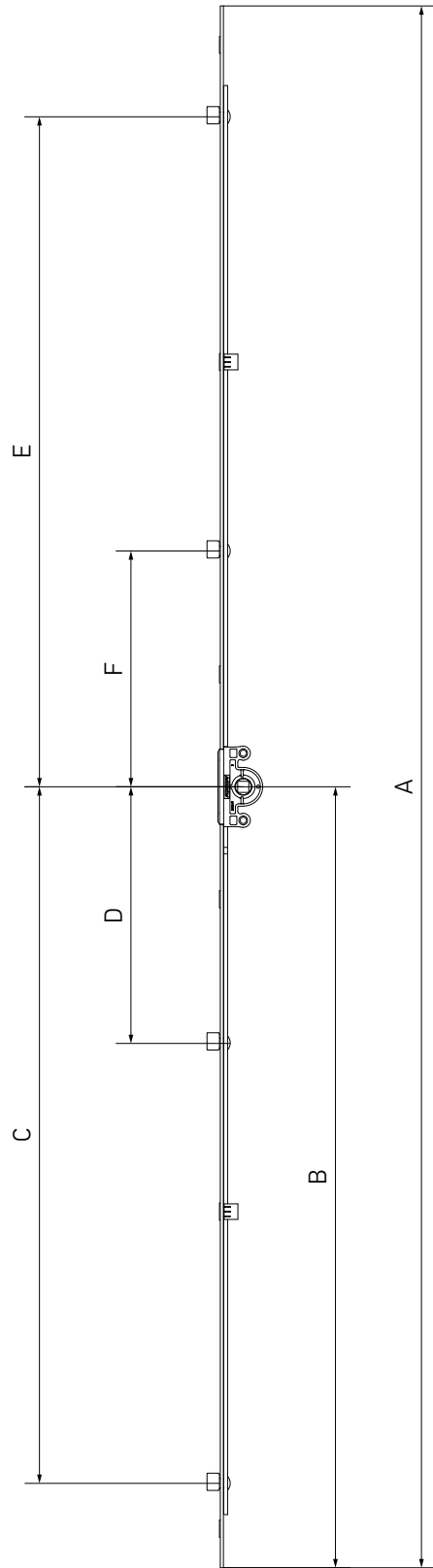
- handle position is central.



Turn gear

Gears

Turn gear





Turn gear

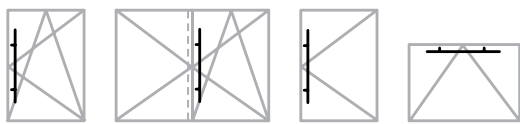
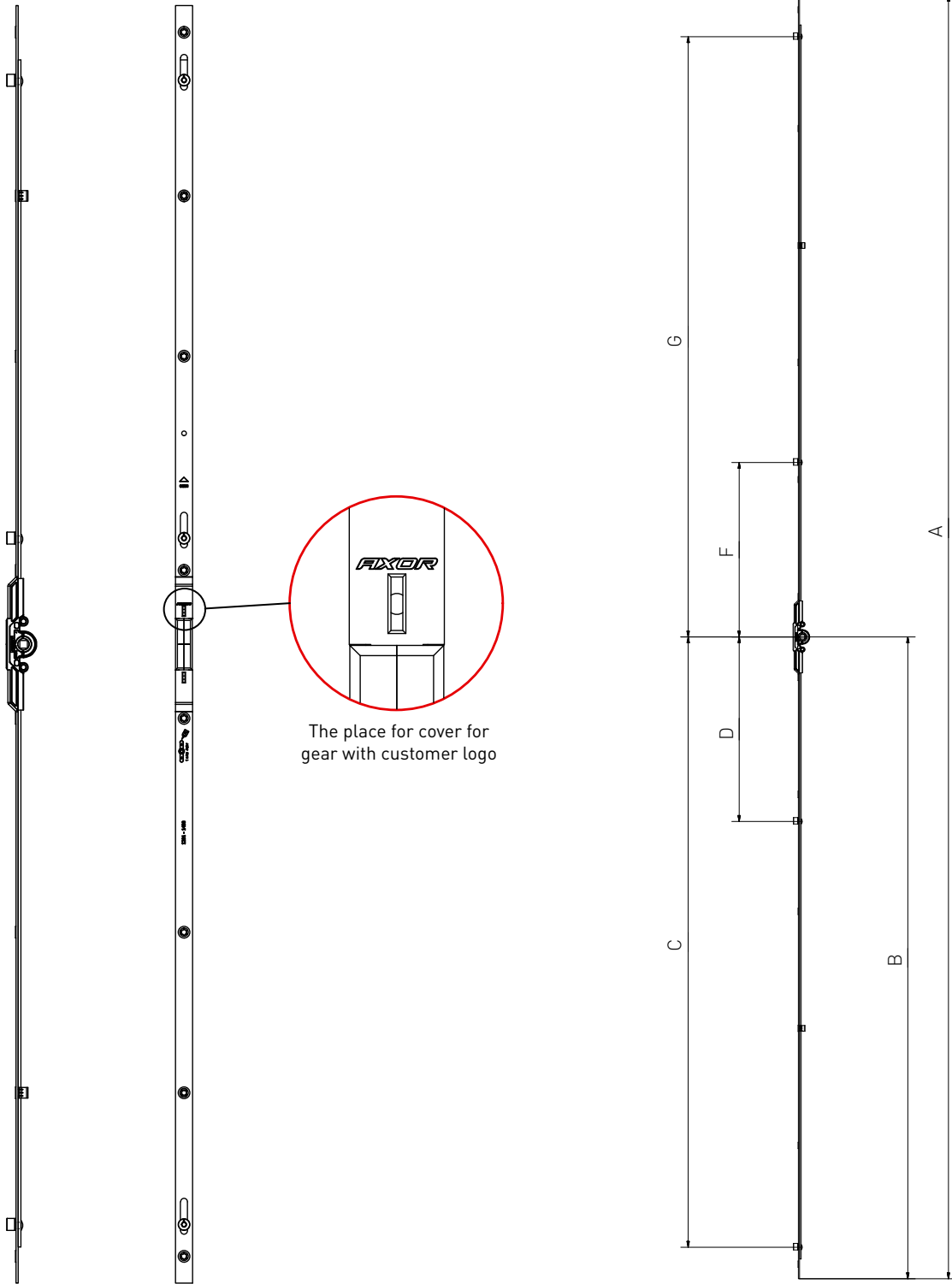
Gears

Description	SRH (mm)	Dimensions										Part No.
		A	B	C	D	E	F					
Turn gear 1 L=300, 300 - 500, 2ML	300-500	300	150	96	—	79	—	2	—	2	20	K1003-03-N03
Turn gear 2 L=400, 401 - 600, 2ML	401-600	400	200	146	—	129	—	2	—	2	20	K1003-04-N03
Turn gear 3 L=600, 601 - 800, 2ML	601-800	600	300	246	—	229	—	2	—	4	20	K1003-06-N03
Turn gear 4 L=800, 801 - 1000, 2 ML	801-1000	800	400	346	—	329	—	2	—	4	20	K1003-08-N03
Turn gear 5 L=1000, 1001 - 1200, 3 ML	1001-1200	1000	500	446	—	429	101	3	—	8	20	K1003-10-N03
Turn gear 6 L=1200, 1201 - 1400, 3ML	1201-1400	1200	600	546	—	530	101	3	—	8	20	K1003-12-N03
Turn gear 7 L=1400, 1401 - 1600, 3ML	1401-1600	1400	700	646	—	629	101	3	—	8	20	K1003-14-N03
Turn gear 8 L=1600, 1601 - 1800, 4ML	1601-1800	1600	800	746	318	729	301	4	—	8	10	K1003-16-N03
Turn gear 9 L=1800, 1801 - 2000, 4ML	1801-2000	1800	900	846	318	829	301	4	—	10	10	K1003-18-N03
Turn gear 10 L=2000, 2001 - 2200, 4ML	2001-2200	2000	1000	946	318	929	301	4	—	10	10	K1003-20-N03
Turn gear 11 L=2200, 2201 - 2400, 4ML	2201-2400	2200	1100	1046	318	1029	301	4	—	11	10	K1003-22-N03
Turn gear 1 L=300, 300 - 500, 2ML, Se	300-500	300	150	96	—	79	—	—	2	2	20	K1033-03-N03
Turn gear 2 L=400, 401 - 600, 2ML, Se	401-600	400	200	146	—	129	—	—	2	2	20	K1033-04-N03
Turn gear 3 L=600, 601 - 800, 2ML, Se	601-800	600	300	246	—	229	—	—	2	4	20	K1033-06-N03
Turn gear 4 L=800, 801 - 1000, 2 ML, Se	801-1000	800	400	346	—	329	—	—	2	4	20	K1033-08-N03
Turn gear 5 L=1000, 1001 - 1200, 3 ML, Se	1001-1200	1000	500	446	—	429	101	—	3	8	20	K1033-10-N03
Turn gear 6 L=1200, 1201 - 1400, 3ML, Se	1201-1400	1200	600	546	—	530	101	—	3	8	20	K1033-12-N03
Turn gear 7 L=1400, 1401 - 1600, 3ML, Se	1401-1600	1400	700	646	—	629	101	—	3	8	20	K1033-14-N03
Turn gear 8 L=1600, 1601 - 1800, 4ML, Se	1601-1800	1600	800	746	318	729	301	—	4	8	10	K1033-16-N03
Turn gear 9 L=1800, 1801 - 2000, 4ML, Se	1801-2000	1800	900	846	318	829	301	—	4	10	10	K1033-18-N03
Turn gear 10 L=2000, 2001 - 2200, 4ML, Se	2001-2200	2000	1000	946	318	929	301	—	4	10	10	K1033-20-N03
Turn gear 11 L=2200, 2201 - 2400, 4ML, Se	2201-2400	2200	1100	1046	318	1029	301	—	4	11	10	K1033-22-N03

Turn gear

Gears

Turn gear, backset 7,5 mm.

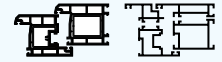




Turn gear

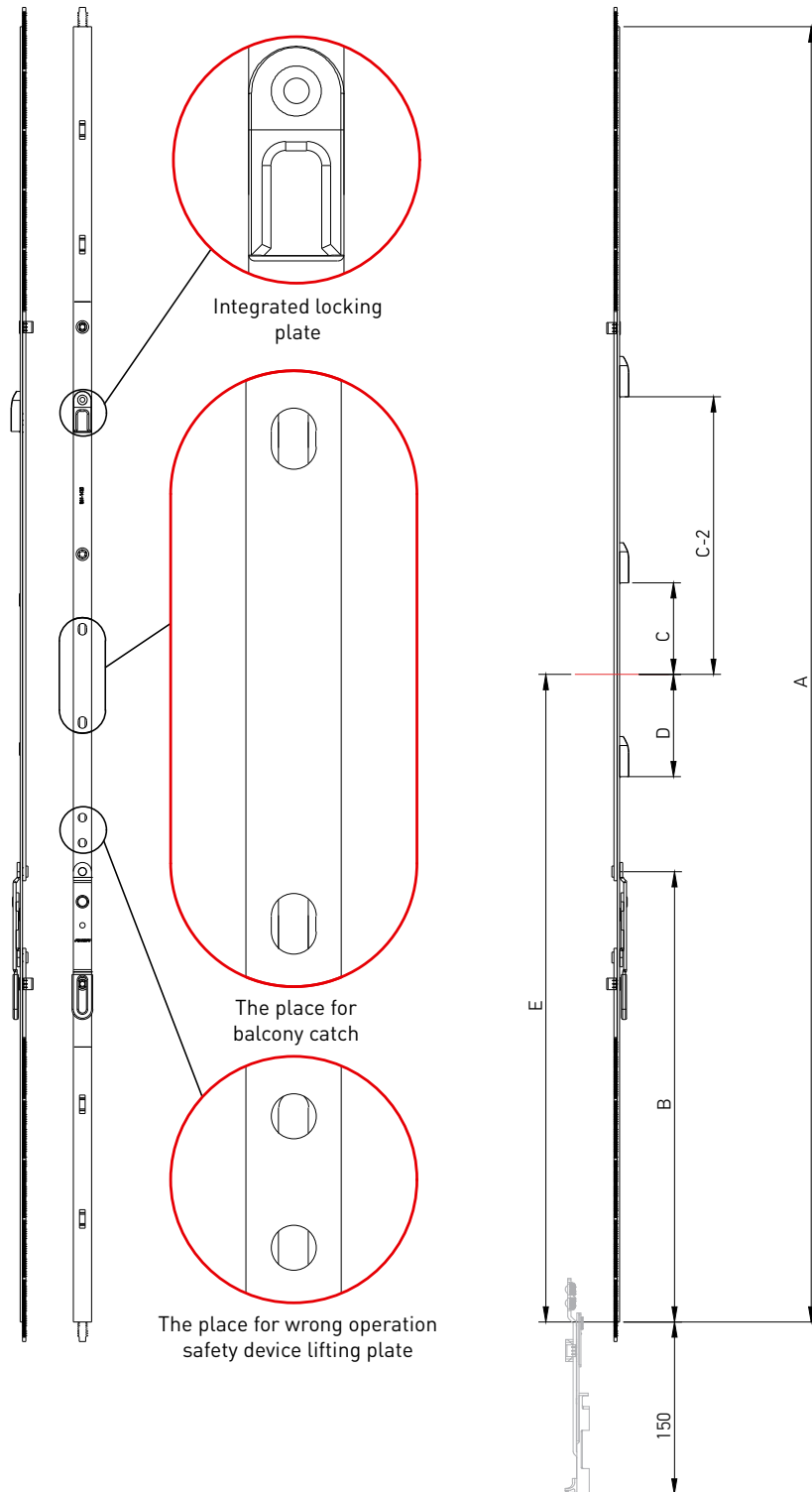
Gears

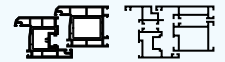
Description	SRH (mm)	Dimensions									Part No.
		A	B	C	D	F	G				
Turn gear 2, L=400, 401-600, backset 7,5 mm	400-600	394	197	—	143	—	126	2	4	20	K1049-04-N03
Turn gear 3, L=600, 601-800, backset 7,5 mm	601-800	594	297	—	243	—	226	2	4	20	K1049-06-N03
Turn gear 4, L=800, 801-1000, backset 7,5 mm	800-1000	794	397	—	343	—	326	2	6	20	K1049-08-N03
Turn gear 5, L=1000, 1001-1200, backset 7,5 mm	1001-1200	994	497	—	443	98	426	3	6	20	K1049-10-N03
Turn gear 6, L=1200, 1201-1400, backset 7,5 mm	1201-1400	1194	597	—	543	98	526	3	8	20	K1049-12-N03
Turn gear 7, L=1400, 1401-1600, backset 7,5 mm	1401-1600	1394	697	—	643	98	626	3	8	20	K1049-14-N03
Turn gear 8, L=1600, 1601-1800, backset 7,5 mm	1601-1800	1594	797	743	315	298	726	4	10	10	K1049-16-N03
Turn gear 9, L=1800, 1801-2000, backset 7,5 mm	1801-2000	1794	897	843	315	298	826	4	10	10	K1049-18-N03
Turn gear 10, L=2000, 2001-2200, backset 7,5 mm	2001-2200	1994	997	943	315	298	926	4	12	10	K1049-20-N03
Turn gear 11, L=2200, 2201-2400, backset 7,5 mm	2201-2400	2194	1097	1043	315	298	1026	4	12	10	K1049-22-N03



Double-sash gear with integrated locking plates

Double-sash gear with integrated locking plates
(used with tilt & turn variable gear with central handle position, Part No. K1001...)





Double-sash gear with integrated locking plates

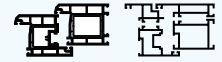
Gears

Description	SRH (mm)	Dimensions									Part No.
		A	B	C	D	C-2	E				
Double-sash gear* 1 L=450, 551-750	551-750	450	265	—	—	—	225	0	3	20	K1002-04-N03
Double-sash gear 2 L=650, 751-950	751-950	650	393	129,5	—	—	325	1	4	20	K1002-06-N03
Double-sash gear 3 L=1130, 951-1430	951-1430	1130	393	129,5	—	—	565	1	6	20	K1002-11-N03
Double-sash gear 4** L=1610, 1431-1910	1431-1910	1610	393	274,5	380,5	—	805	2	8	10	K1002-16-N03
Double-sash gear 5** L=2090, 1911-2390	1911-2390	2090	393	129,5	480,5	604,5	1045	3	11	10	K1002-21-N03

- for double-sash profile with opposite hardware groove;
- gear with opposite motion;
- locking plates were installed.

* there is not a place for the micro lift

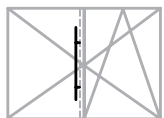
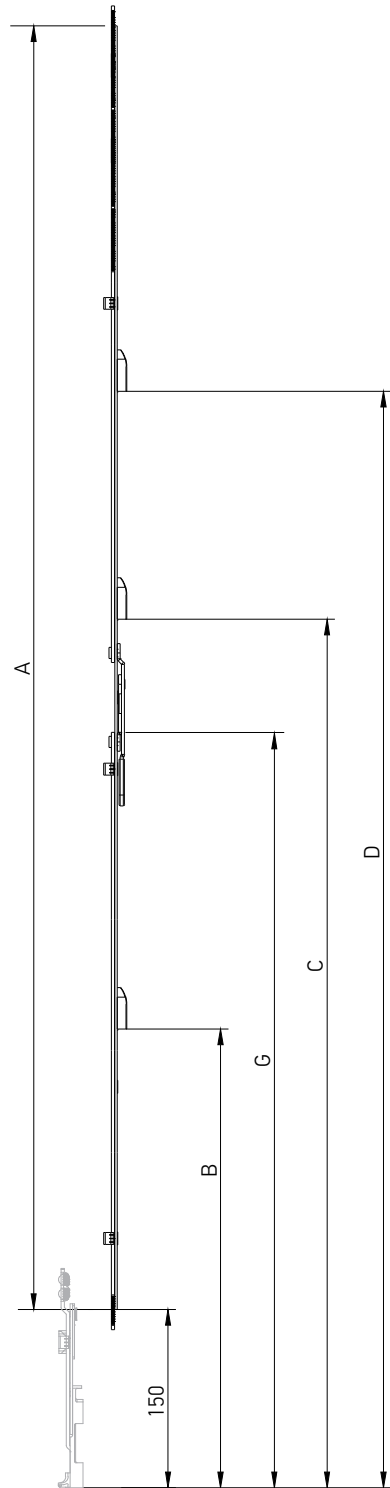
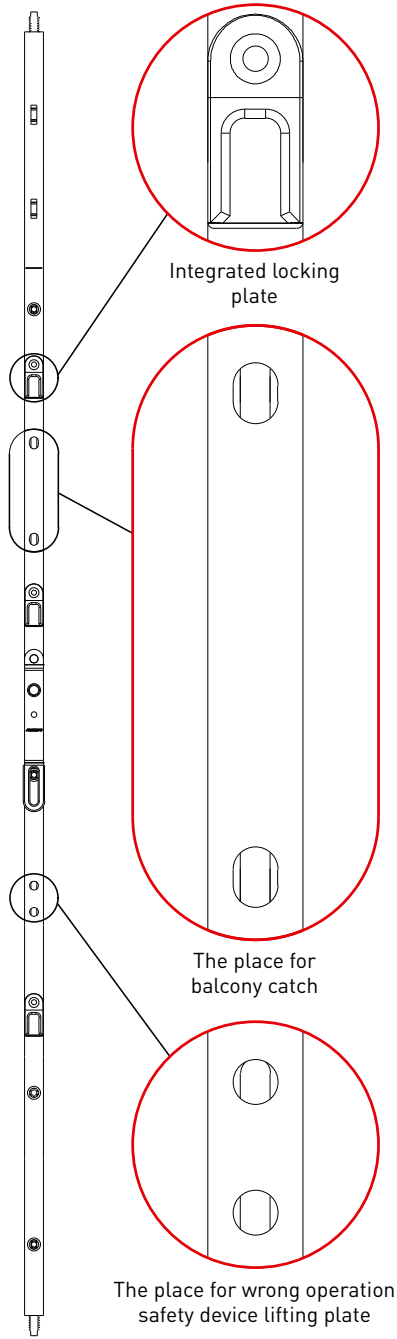
** There is a place for balcony catch available

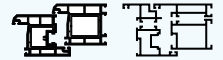


Constant double-sash gear

Gears

Constant double-sash gear
(used with constant tilt & turn gear, Part No. K1004...)





Constant double-sash gear

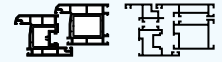
Gears

Description	SRH (mm)	Dimensions								Part No.
		G	A	B	C	D				
Constant double-sash gear G=300, L=620 mm*	681-920	300	620	—	439,5	—	1	4	20	K1018-06-N03
Constant double-sash gear G=450, L=860 mm	921-1160	450	860	—	579,5	—	1	7	20	K1018-09-N03
Constant double-sash gear G=600, L=1100 mm	1161-1400	600	1100	—	729,5	—	1	8	20	K1018-11-N03
Constant double-sash gear G=600, L=1340 mm	1401-1640	600	1340	—	729,5	1047,5	2	10	20	K1018-14-N03
Constant double-sash gear G=600, L=1580 mm	1641-1880	600	1580	—	729,5	1252,5	2	10	10	K1018-15-N03
Constant double-sash gear G=1000, L=1580mm**	1641-1880	1000	1580	729,5	1272,5	—	2	10	10	K1018-16-N03
Constant double-sash gear G=1000, L=1820mm**	1881-2120	1000	1820	729,5	1396,5	—	2	11	10	K1018-18-N03
Constant double-sash gear G=1000, L=2060mm**	2121-2360	1000	2060	729,5	1129,5	1732,5	3	13	10	K1018-20-N03

- for double-sash profile with opposite hardware groove;
- gear with opposite motion;
- locking plates were installed.

* There is not a place for the micro lift

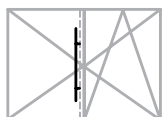
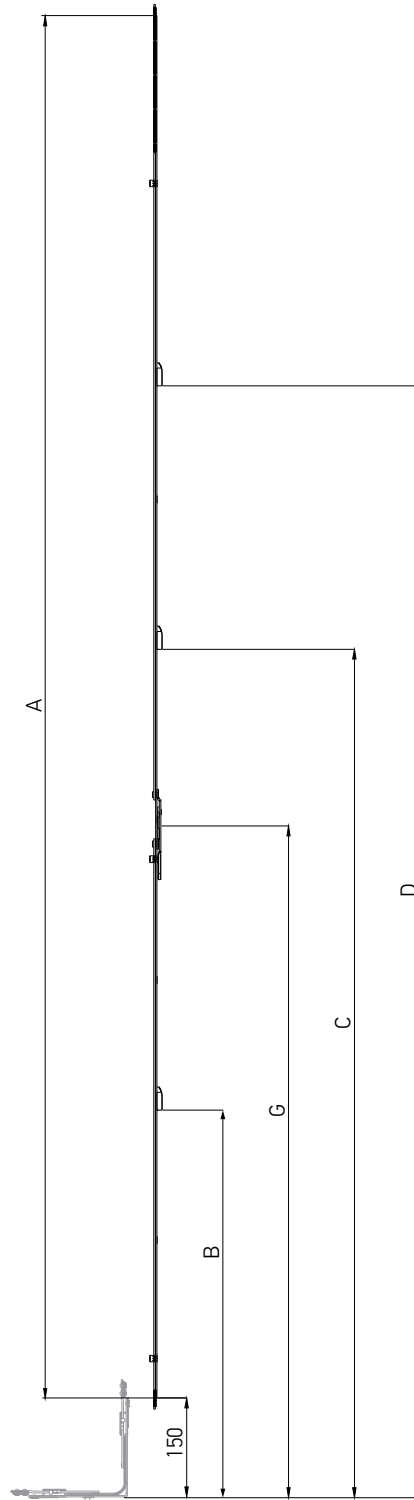
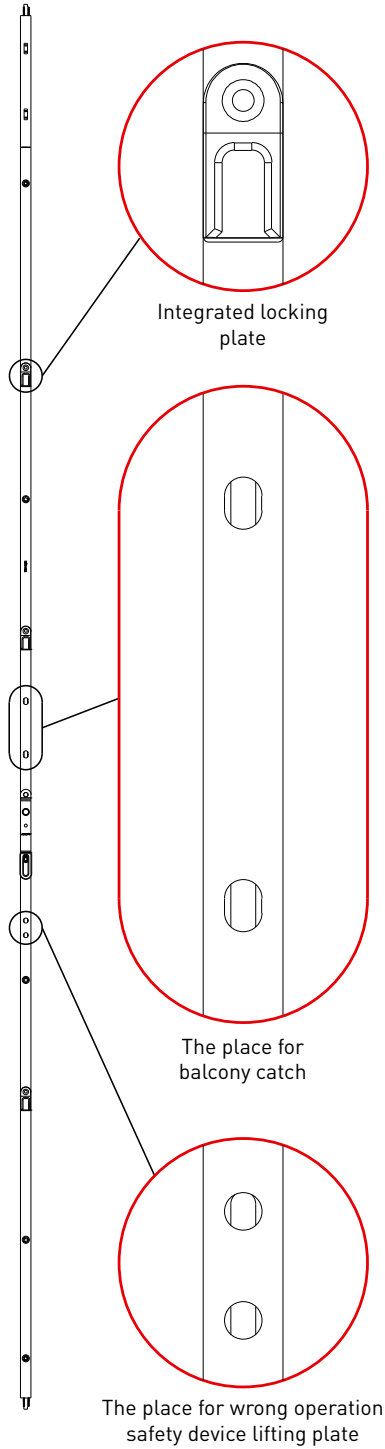
**There is a place for balcony catch available

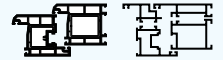


Constant double-sash gear

Gears

Constant double-sash gear
(used with constant tilt & turn gear, Part No. K1006...)





Constant double-sash gear

Gears

Description	SRH (mm)	Dimensions								Part No.
		G	A	B	C	D				
Constant double-sash gear L=500, G=300, 600-800*	600-800	300	500	—	—	—	—	3	20	K1007-05-N03
Constant double-sash gear L=700, G=400, 801-1000	801-1000	360	700	—	489,5	—	1	5	20	K1007-07-N03
Constant double-sash gear L=900, G=500, 1001-1200	1001-1200	500	900	—	689,5	—	1	5	20	K1007-09-N03
Constant double-sash gear L=1100, G=500, 1201-1400	1201-1400	500	1100	—	689,5	—	1	6	20	K1007-11-N03
Constant double-sash gear L=1300, G=500, 1401-1600	1401-1600	500	1300	—	789,5	—	1	7	10	K1007-13-N03
Constant double-sash gear L=1500, G=500, 1601-1800	1601-1800	400	1500	—	789,5	1289,5	2	9	10	K1007-15-N03
Constant double-sash gear L=1700, G=1000, 1801-2000**	1801-2000	1000	1700	789,5	1289,5	—	2	8	10	K1007-17-N03
Constant double-sash gear L=1900, G=1000, 2001-2200**	2001-2200	1000	1900	789,5	1589,5	—	2	9	10	K1007-19-N03
Constant double-sash gear L=2100, G=1000, 2201-2400**	2201-2400	1000	2100	589,5	1289,5	1689,5	3	10	10	K1007-21-N03

- for double-sash profile with opposite hardware groove;
- gear with opposite motion;
- locking plates were installed.

*There is not a place for the micro lift

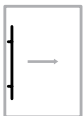
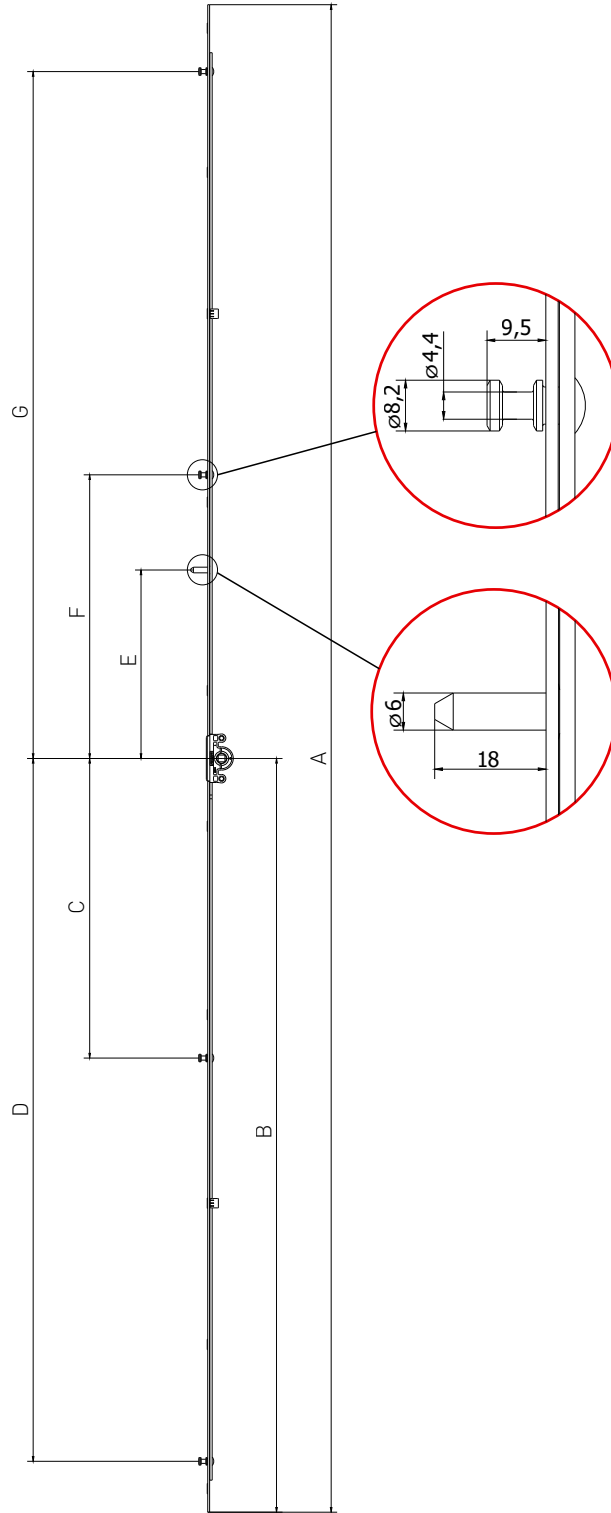
**There is a place for balcony catch available



**Gear for sliding system,
backset 15 mm.**

Gears

Gear for sliding system, backset 15 mm.





Gear for sliding system, backset 15 mm.

Gears

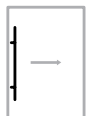
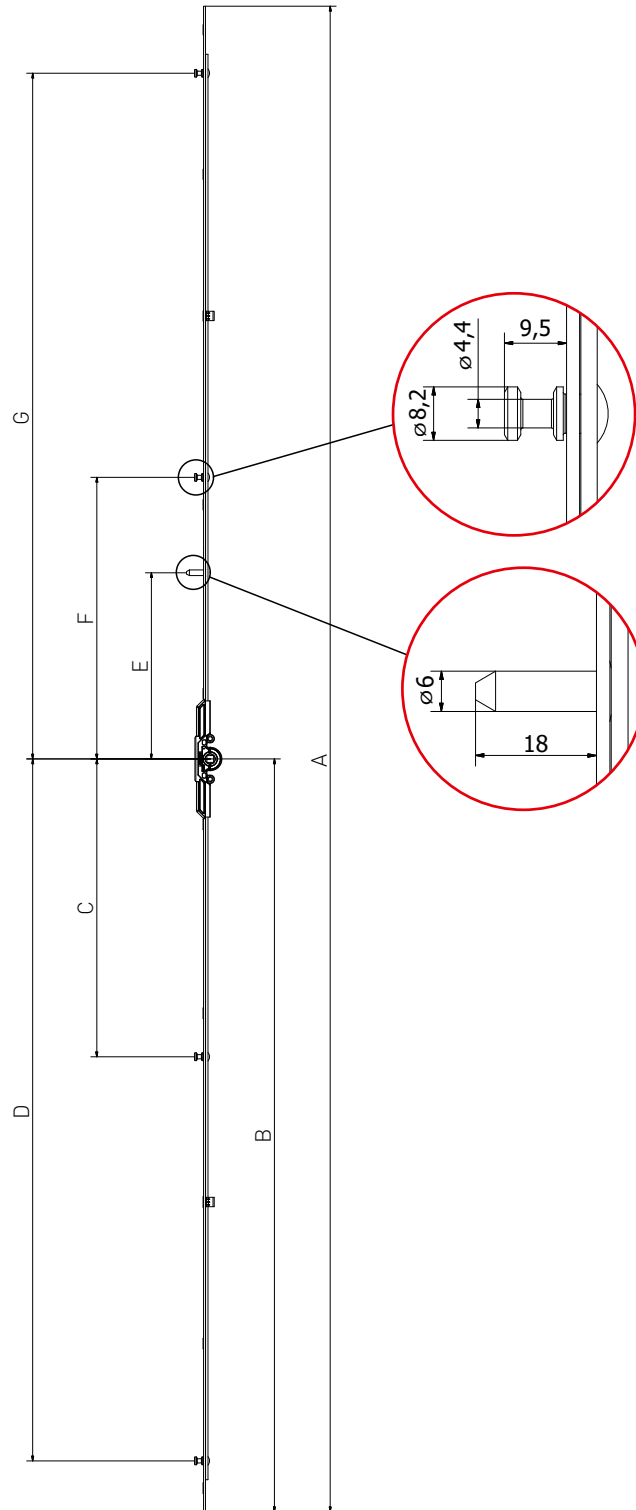
Description	SRH (mm)	Dimensions								Part No.
		A	B	C	D	E	F	G		
Gear for sliding system 1, L=300, 280-400	280-400	300	150	—	96	49	—	79	3	K1005-03-N03
Gear for sliding system 2, L=400, 401-600	401-600	400	200	—	146	99	—	129	4	K1005-04-N03
Gear for sliding system 3, L=600, 601-800	601-800	600	300	—	246	152	—	229	4	K1005-06-N03
Gear for sliding system 4, L=800, 801-1000	800-1000	800	400	—	346	152	—	329	6	K1005-08-N03
Gear for sliding system 5, L=1000, 1001-1200	1001-1200	1000	500	—	446	200	101	429	6	K1005-10-N03
Gear for sliding system 6, L=1200, 1201-1400	1201-1400	1200	600	—	546	200	101	529	8	K1005-12-N03
Gear for sliding system 7, L=1400, 1401-1600	1401-1600	1400	700	—	646	200	101	629	8	K1005-14-N03
Gear for sliding system 8, L=1600, 1601-1800	1601-1800	1600	800	318	746	200	301	729	10	K1005-16-N03
Gear for sliding system 9, L=1800, 1801-2000	1801-2000	1800	900	318	846	200	301	829	10	K1005-18-N03
Gear for sliding system 10, L=2000, 2001-2200	2001-2200	2000	1000	318	946	200	301	929	12	K1005-20-N03
Gear for sliding system 11, L=2200, 2201-2400	2201-2400	2200	1100	318	1046	200	301	1029	12	K1005-22-N03



**Gear for sliding system,
backset 7,5 mm**

Gears

Gear for sliding system, backset 7,5 mm





Gear for sliding system, backset 7,5 mm

Gears

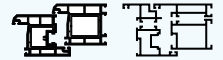
Description	SRH (mm)	Dimensions								Part No.
		A	B	C	D	E	F	G		
Gear for sliding system 2, L=400, 401-600, backset 7,5 mm	401-600	394	197	—	143	96	—	126	4	K1048-04-N03
Gear for sliding system 3, L=600, 601-800, backset 7,5 mm	601-800	594	297	—	243	149	—	226	4	K1048-06-N03
Gear for sliding system 4, L=800, 801-1000, backset 7,5 mm	800-1000	794	397	—	343	149	—	326	6	K1048-08-N03
Gear for sliding system 5, L=1000, 1001-1200, backset 7,5 mm	1001-1200	994	497	—	443	197	98	426	6	K1048-10-N03
Gear for sliding system 6, L=1200, 1201-1400, backset 7,5 mm	1201-1400	1194	597	—	543	197	98	526	8	K1048-12-N03
Gear for sliding system 7, L=1400, 1401-1600, backset 7,5 mm	1401-1600	1394	697	—	643	197	98	626	8	K1048-14-N03
Gear for sliding system 8, L=1600, 1601-1800, backset 7,5 mm	1601-1800	1594	797	315	743	197	298	726	10	K1048-16-N03
Gear for sliding system 9, L=1800, 1801-2000, backset 7,5 mm	1801-2000	1794	897	315	843	197	298	826	10	K1048-18-N03
Gear for sliding system 10, L=2000, 2001-2200, backset 7,5 mm	2001-2200	1994	997	315	943	197	298	926	12	K1048-20-N03
Gear for sliding system 11, L=2200, 2201-2400, backset 7,5 mm	2201-2400	2194	1097	315	1043	197	298	1026	12	K1048-22-N03

AXORTM

KOMFORT LINE K-3

Corner transmissions
Middle locks
Extensions

AXOR

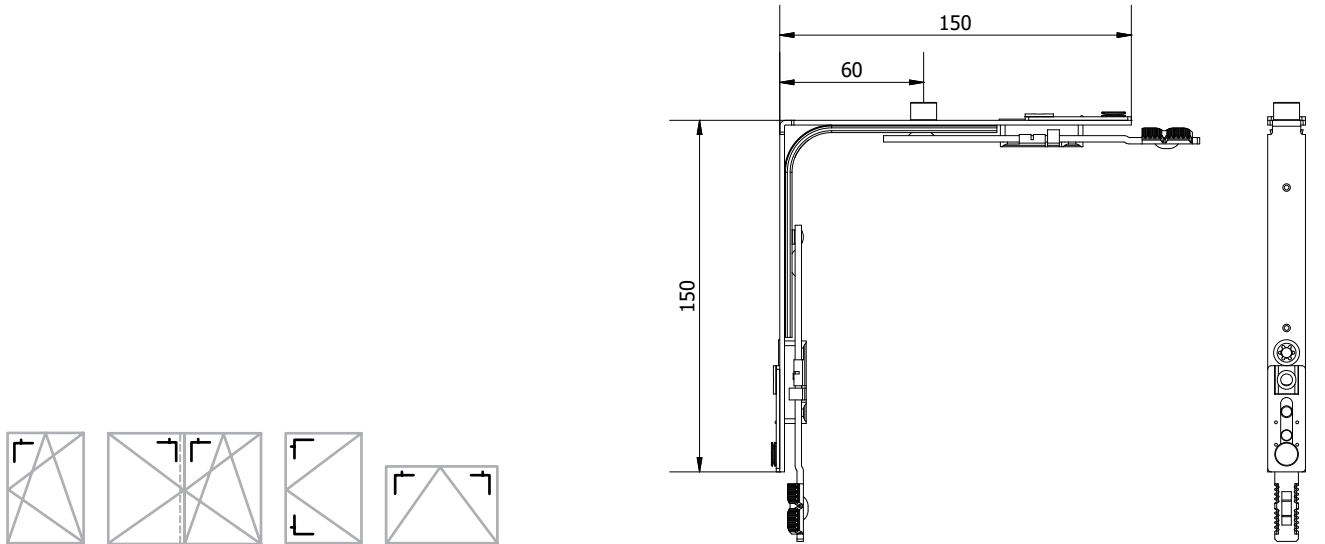


Corner transmission

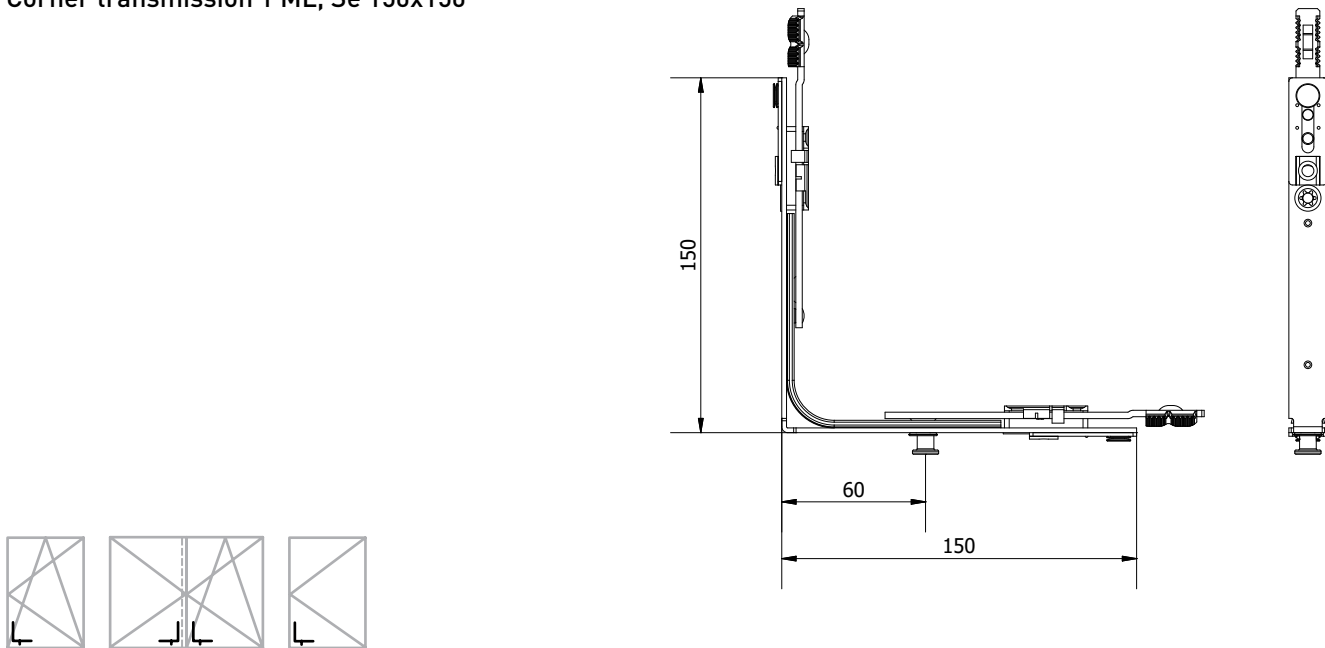
Corner transmissions
Middle locks

Corner transmission 150x150

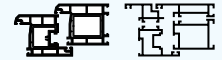
- not intended for WK security level.



Corner transmission 1 ML, Se 150x150



Description	Application range						Part No.
	SRW (mm)	SRH (mm)					
Corner transmission 150x150	400-1520	450-2390	1	—	4	50	K2001-00-N03
Corner transmission 1 ML, Se 150x150	400-1520	450-2390	—	1	4	50	K2005-00-N03
Corner transmission 150x150, without locking pin	400-1520	450-2390	—	—	4	50	K2016-00-N03

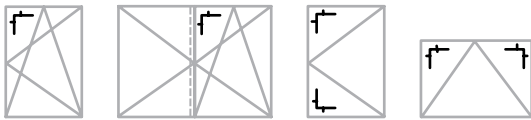
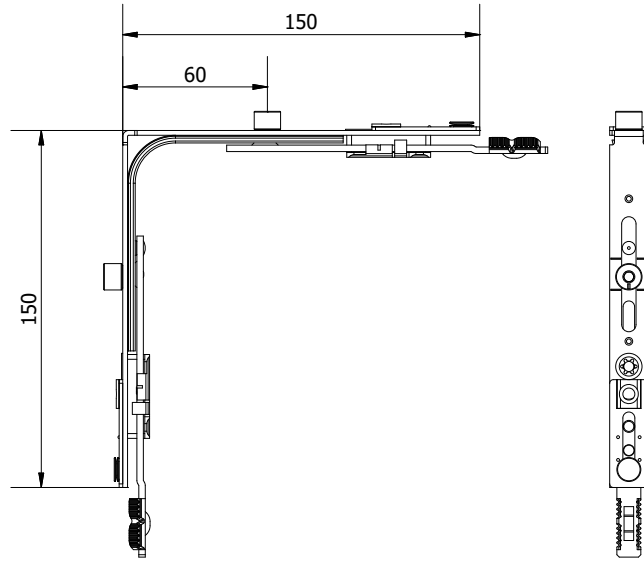


Corner transmission

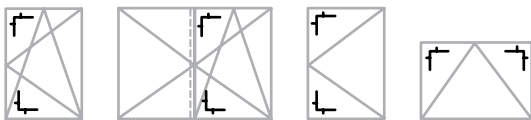
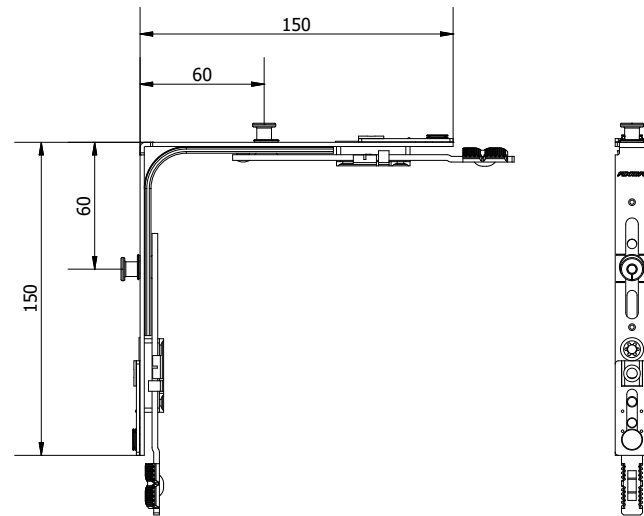
Corner transmissions
Middle locks

Corner transmission, 2ML, 150x150

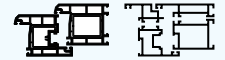
- not intended for WK security level.



Corner transmission, 2 ML, Se, 150x150



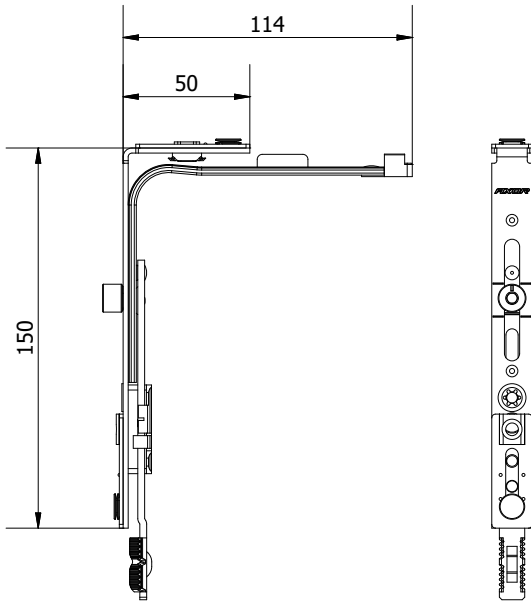
Description	Application range						Part No.
	SRW (mm)	SRH (mm)					
Corner transmission 2 ML, 150x150	400-1520	450-2390	2	—	4	50	K2002-00-N03
Corner transmission, 2 ML, Se, 150x150	400-1520	450-2390	—	2	4	50	K2012-00-N03
Corner transmission, 1 MR, 1 ML, 150x150	400-1520	450-2390	1	1	4	50	K2013-00-N03



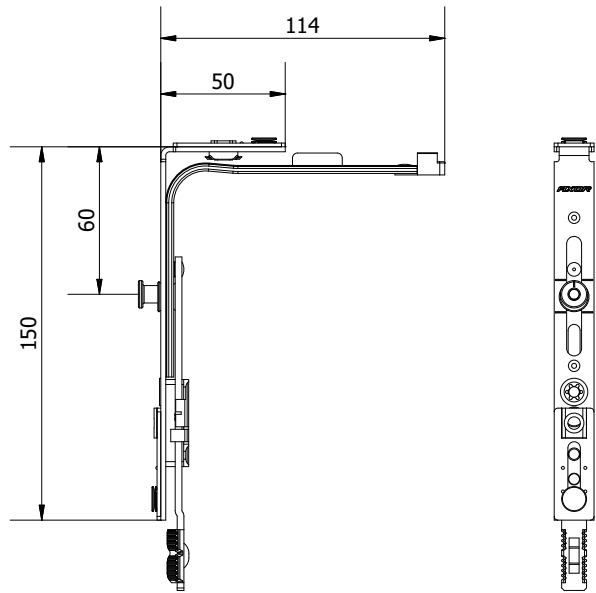
Narrow corner transmission

Corner transmissions
Middle locks

Narrow corner transmission, 50x150

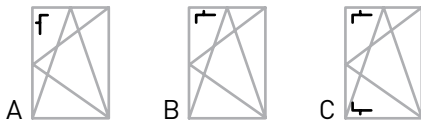


Narrow corner transmission, 50x150, 1ML

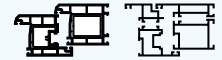


- not intended for double-sash windows;
- not intended for WK security level.

In order to use the narrow corner transmission according to scheme B the distance from the bottom of the fitting groove to the handle axis should be 225 mm, i.e. a hole for handle on gear K1001-02-N03 is displaced from the center of the sash in application range of the sash's height 370-450 mm.



Description	Side opening	Application range						Part No.
		SRW (mm)	SRH (mm)					
Narrow corner transmission, 50x150	A	300-400	450-2390	1	—	3	50	K2003-00-N03
Narrow corner transmission, 50x150	B	400-600	370-450	1	—	3	50	K2003-00-N03
Narrow corner transmission, 1 ML, Se, 50x150,	A	300-400	450-2390	—	1	3	50	K2006-00-N03
Narrow corner transmission, 1 ML, Se, 50x150,	B	400-600	370-450	—	1	3	50	K2006-00-N03
Narrow corner transmission, 1 ML, Se, 50x150,	C	400-600	300-350	—	1	3	50	K2006-00-N03
Narrow corner transmission, without locking pin	A	300-400	450-2390	—	—	3	50	K2017-00-N03
Narrow corner transmission, without locking pin	B	400-600	370-450	—	—	3	50	K2017-00-N03

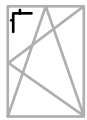
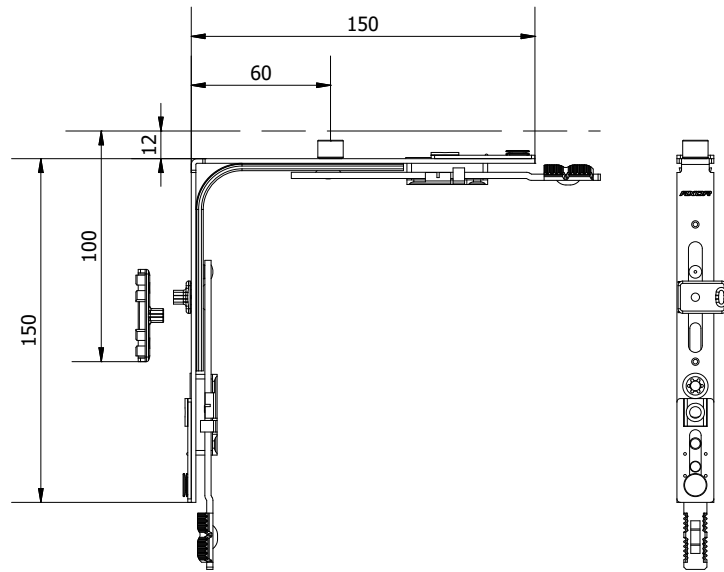


Corner transmission, integrated slit

Corner transmissions
Middle locks

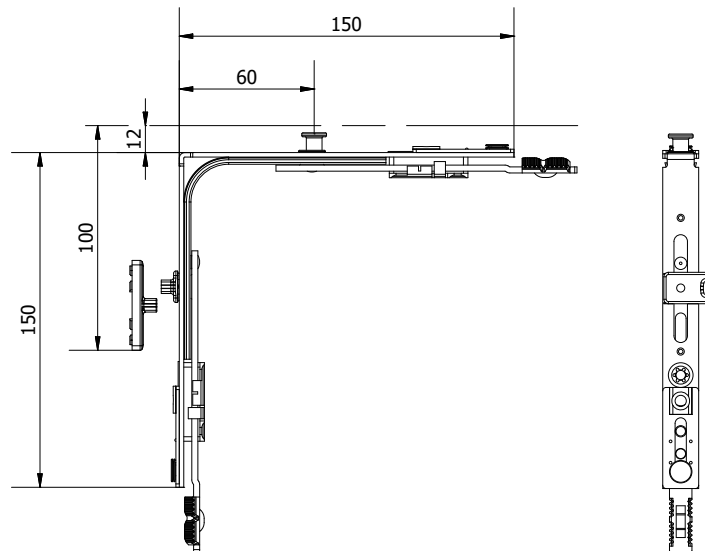
Corner transmission, integrated slit

- separate transmissions for left and right opening;
- provides 3 type-sizes of ventilation;
- ventilation slit 12,16, 20 mm.



Corner transmission, integrated slit, 1ML

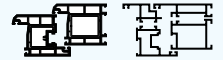
- separate transmissions for left and right opening;
- provides 3 type-sizes of ventilation;
- ventilation slit 12,16, 20 mm.



Description	Application range						Part No.
	SRW (mm)	SRH (mm)					
Corner transmission, integrated slit, left	400-1520	450-2390	1	—	4	50	K2004-00-L03
Corner transmission, integrated slit, right	400-1520	450-2390	1	—	4	50	K2004-00-R03
Corner transmission, integrated slit, 1 ML, Se, left	400-1520	450-2390	—	1	4	50	K2014-00-L03
Corner transmission, integrated slit, 1 ML, Se, right	400-1520	450-2390	—	1	4	50	K2014-00-R03

Locking plate for integrated slit (frame part)

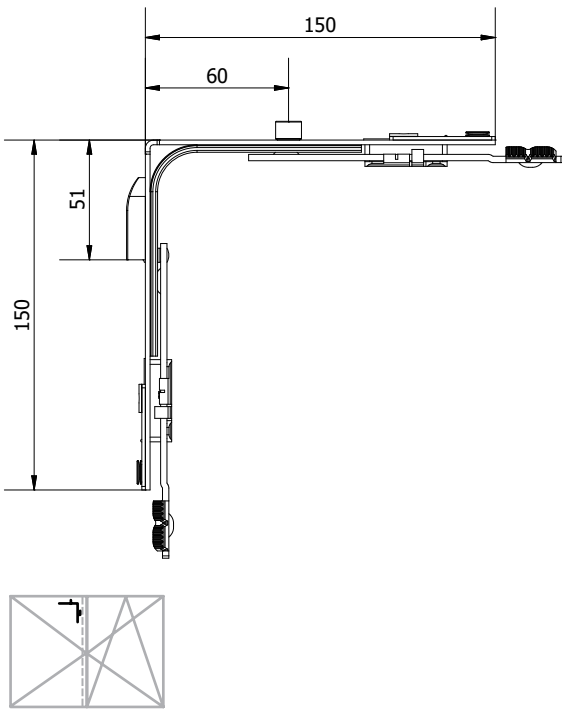
look at the section "Profile-dependent elements"



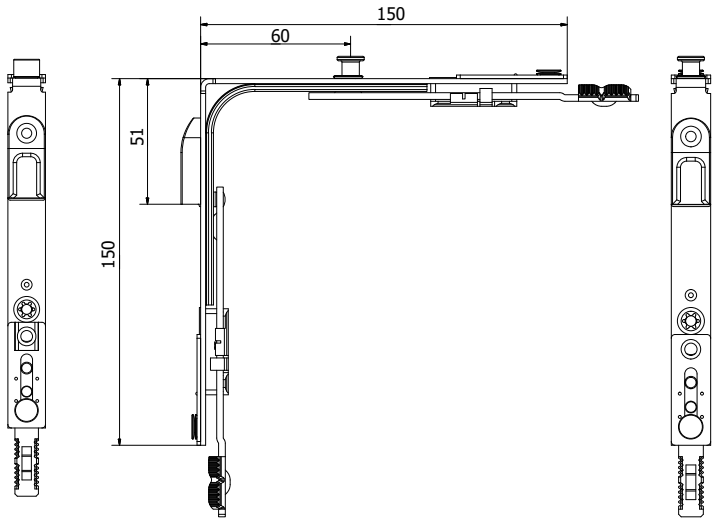
Corner transmission, double sash

Corner transmissions
Middle locks

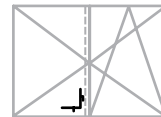
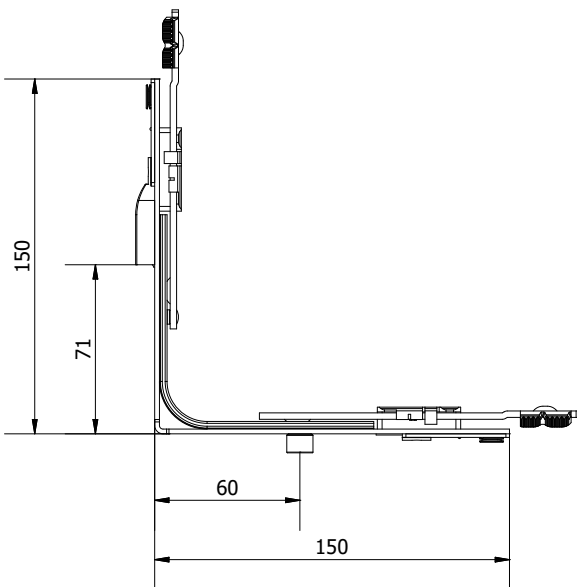
Corner transmission, double sash, top



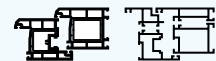
Corner transmission, 1 ML, Se, double sash, top



Corner transmission, double sash, bottom



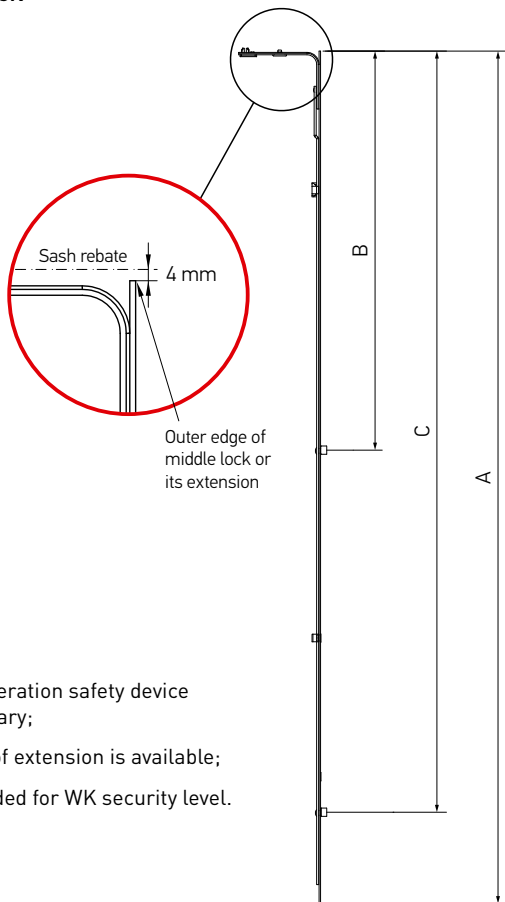
Description	Application range							Part No.
	SRW (mm)	SRH (mm)						
Corner transmission, double sash, top	400-1520	450-2390	1	—	1	4	50	K2007-01-N03
Corner transmission, double sash, bottom	400-1520	450-2390	1	—	1	4	50	K2007-02-N03
Corner transmission, 1 ML, Se, double sash, top	400-1520	450-2390	—	1	1	4	50	K2011-00-N03



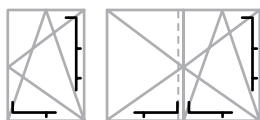
Middle lock

Corner transmissions
Middle locks

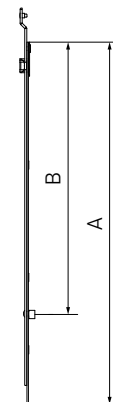
Middle lock



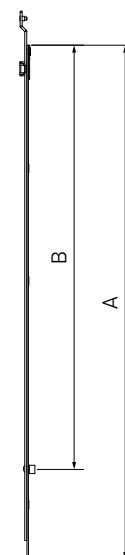
- wrong operation safety device is necessary;
- addition of extension is available;
- not intended for WK security level.



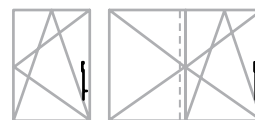
**Middle lock extension
480 mm**



**Middle lock extension
680 mm**



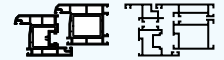
- for additional locking point;
- for height > 1710 mm.



Description	SRH (mm)	SRW (mm)	Dimensions						Part No.
			A	B*	C*				
Middle lock L=400, 1 ML	600-1000	600-1000	400	280	—	1	3	20	K4001-04-N03
Middle lock L=650, 1 ML	850-1250	850-1250	650	530	—	1	5	20	K4001-06-N03
Middle lock L=720, 1 ML	920-1320	920-1320	720	600	—	1	5	20	K4001-07-N03
Middle lock L=820, 1 ML	1251-1430	1251-1430	820	700	—	1	5	20	K4001-08-N03
Middle lock L=1130, 2 ML	1251-1730	—	1130	530	1010	2	8	20	K4001-11-N03

Description	SRH (mm)	SRW (mm)	Dimensions						Part No.
			A	B	C				
Middle lock extension 480 mm	1710-2210	1280-1520	480	360	—	1	4	20	K4005-05-N03
Middle lock extension 680 mm	2211-2390	—	680	560	—	1	5	20	K4005-07-N03

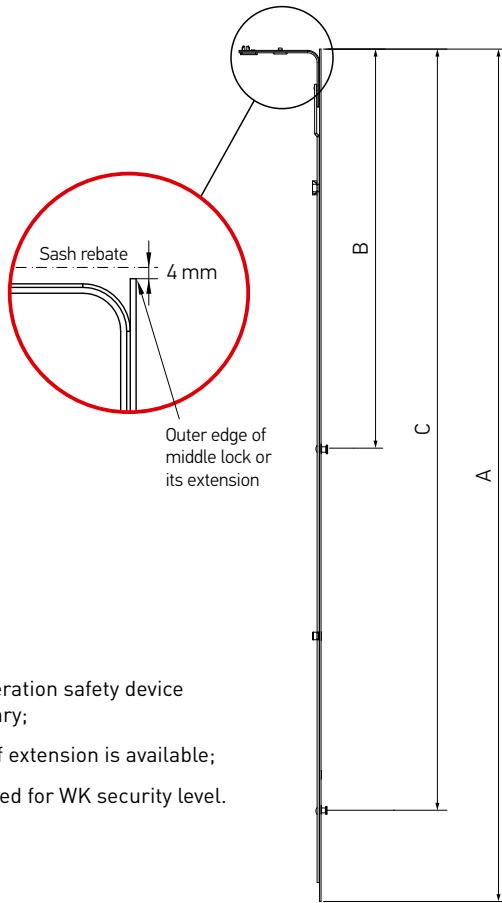
*Dimensions B and C are distances from the outer edge of middle lock or its extension to the locking pin axis



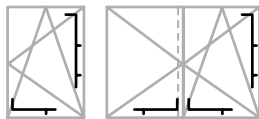
Middle lock

Corner transmissions
Middle locks

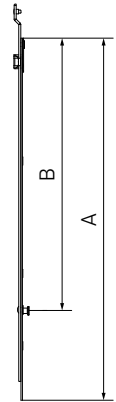
Middle lock



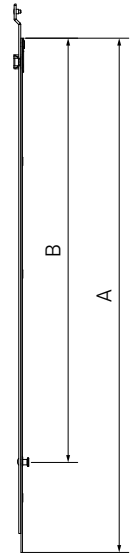
- wrong operation safety device is necessary;
- addition of extension is available;
- not intended for WK security level.



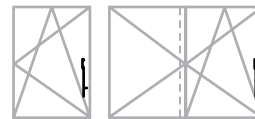
Middle lock extension, Se, 480 mm



Middle lock extension, Se, 680 mm

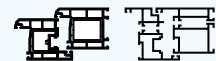


- for additional locking point;
- for height > 1710 mm.



Description	SRH (mm)	SRW (mm)	Dimensions						Part No.
			A	B*	C*				
Middle lock L=400, 1 ML, Se	600-1000	600-1000	400	280	—	1	3	20	K4017-04-N03
Middle lock L=650, 1 ML, Se	850-1250	850-1250	650	530	—	1	5	20	K4017-06-N03
Middle lock L=820, 1 ML, Se	1251-1430	1251-1430	820	700	—	1	5	20	K4017-08-N03
Middle lock L=1130, 2 ML, Se	1251-1730	—	1130	530	1010	2	8	20	K4017-11-N03
Description	SRH (mm)	SRW (mm)	Dimensions						Part No.
A	B	C							
Middle lock extension, Se, 480 mm	1710-2210	1280-1520	480	360	—	1	4	20	K4025-05-N03
Middle lock extension, Se, 680 mm	2211-2390	—	680	560	—	1	5	20	K4025-07-N03

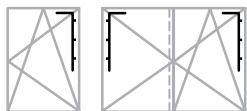
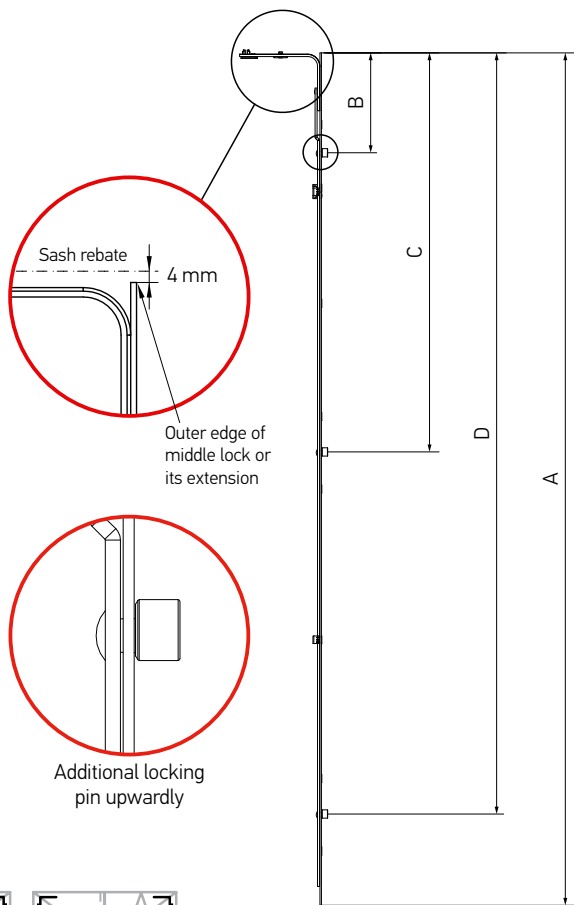
*Dimensions B and C are distances from the outer edge of middle lock or its extension to the locking pin axis



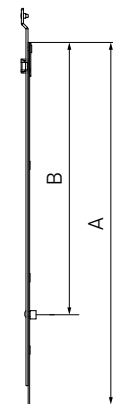
Middle lock, 2ML

Corner transmissions
Middle locks

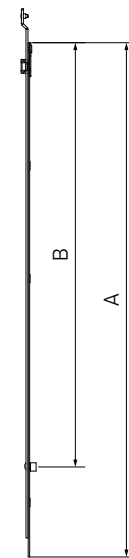
Middle lock with additional roller pin



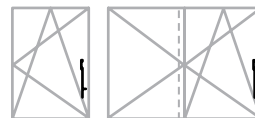
Middle lock extension
480 mm



Middle lock extension
680 mm



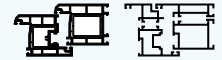
- for additional locking point;
- for height > 1710 mm.



Description	SRH (mm)	SRW (mm)	Dimensions							Part No.
			A	B*	C*	D*				
Middle lock L=400, 2 ML	600-1000	600-1000	400	132	280	—	2	3	20	K4004-04-N03
Middle lock L=650, 2 ML	850-1250	850-1250	650	132	530	—	2	5	20	K4004-06-N03
Middle lock L=720, 2 ML	920-1320	920-1320	720	132	600	—	2	5	20	K4004-07-N03
Middle lock L=820, 2 ML	1251-1430	1251-1430	820	132	700	—	2	5	20	K4004-08-N03
Middle lock L=1130, 3 ML	1251-1730	—	1130	132	530	1010	3	8	20	K4004-11-N03

Description	SRH (mm)	SRW (mm)	Dimensions						Part No.
			A	B	C				
Middle lock extension 480 mm	1710-2210	1280-1520	480	360	—	1	4	20	K4005-05-N03
Middle lock extension 680 mm	2211-2390	—	680	560	—	1	5	20	K4005-07-N03

*Dimensions B,C and D are distances from the outer edge of middle lock or its extension to the locking pin axis

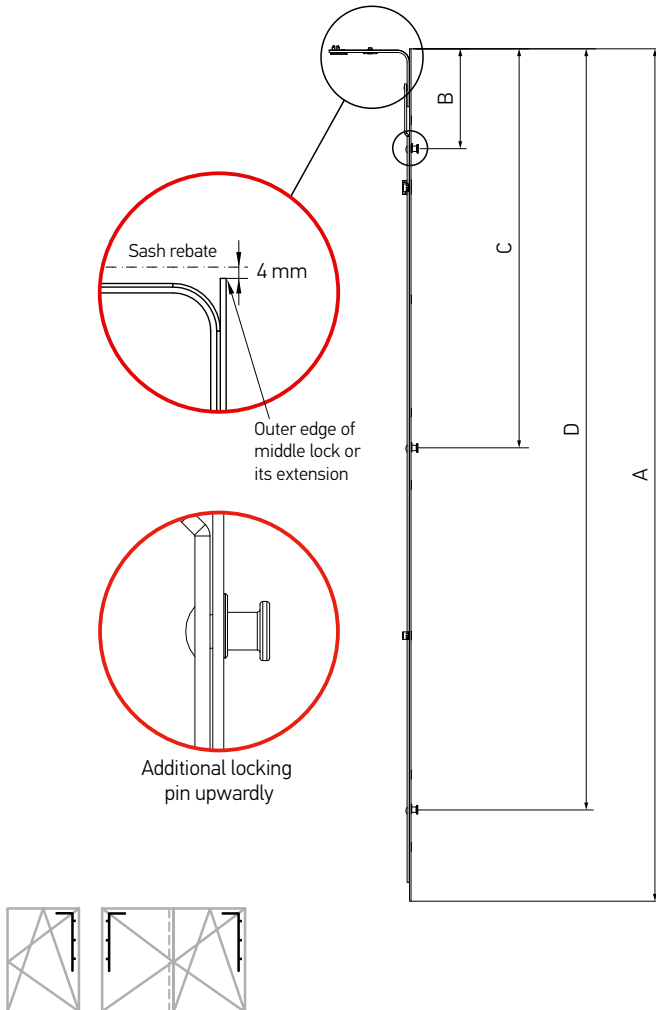


**Middle lock
2ML, Se**

Corner transmissions
Middle locks

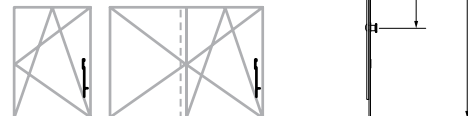
Middle lock with additional mushroom pin, Se

Middle lock extension,
Se, 480 mm



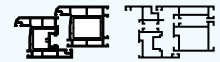
Middle lock extension,
Se, 680 mm

- for additional locking point;
- for height > 1710 mm.



Description	SRH (mm)	SRW (mm)	Dimensions							Part No.
			A	B*	C*	D*				
Middle lock L=400, 2 ML, Se	600-1000	600-1000	400	132	280	—	2	3	20	K4024-04-N03
Middle lock L=650, 2 ML, Se	850-1250	850-1250	650	132	530	—	2	5	20	K4024-06-N03
Middle lock L=820, 2 ML, Se	1251-1430	1251-1430	820	132	700	—	2	5	20	K4024-08-N03
Middle lock L=1130, 3 ML, Se	1251-1730	—	1130	132	530	1010	3	8	20	K4024-11-N03
Description	SRH (mm)	SRW (mm)	Dimensions						Part No.	
			A	B	C					
Middle lock extension, Se, 480 mm	1710-2210	1280-1520	480	360	—	1	4	20	K4025-05-N03	
Middle lock extension, Se, 680 mm	2211-2390	—	680	560	—	1	5	20	K4025-07-N03	

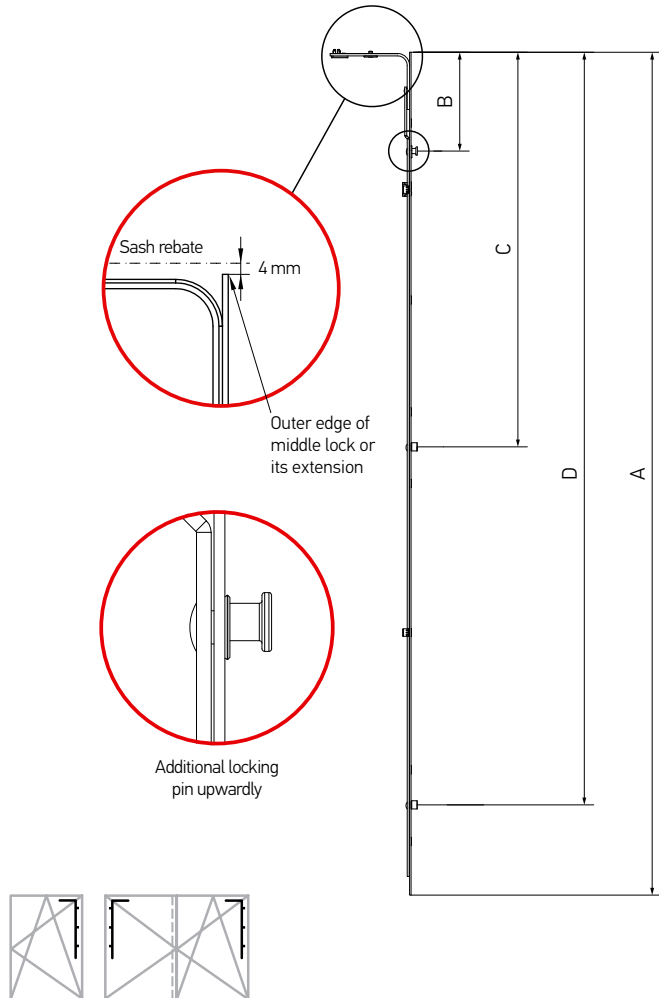
*Dimensions B,C and D are distances from the outer edge of middle lock or its extension to the locking pin axis



Middle lock with additional mushroom pin

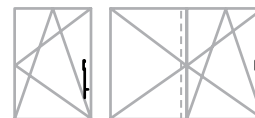
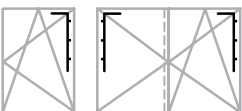
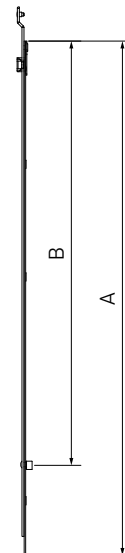
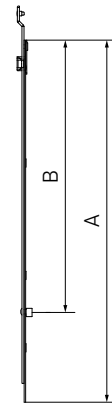
Middle lock with additional mushroom pin

Middle lock extension 480 mm



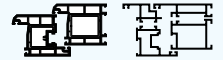
Middle lock extension 680 mm

- for additional locking point;
- for height > 1710 mm.



Description	SRH (mm)	SRW (mm)	Dimensions								Part No.
			A	B*	C*	D*					
Middle lock L=400, 1MR + 1 ML, 600-1000	600-1000	600-1000	400	132	280	—	1	1	3	20	K4008-04-N03
Middle lock L=650, 1MR + 1 ML, 850-1250	850-1250	850-1250	650	132	530	—	1	1	5	20	K4008-06-N03
Middle lock L=820, 1MR + 1 ML, 1250-1430	1251-1430	1251-1430	820	132	700	—	1	1	5	20	K4008-08-N03
Middle lock L=1130, 1MR + 2 ML, 1250-1730	1251-1730	—	1130	132	530	1010	2	1	8	20	K4008-11-N03
Description	SRH (mm)	SRW (mm)	Dimensions							Part No.	
			A	B	C						
Middle lock extension 480 mm	1710-2210	1280-1520	480	360	—	1	0	4	20	K4005-05-N03	
Middle lock extension 680 mm	2211-2390	—	680	560	—	1	0	5	20	K4005-07-N03	

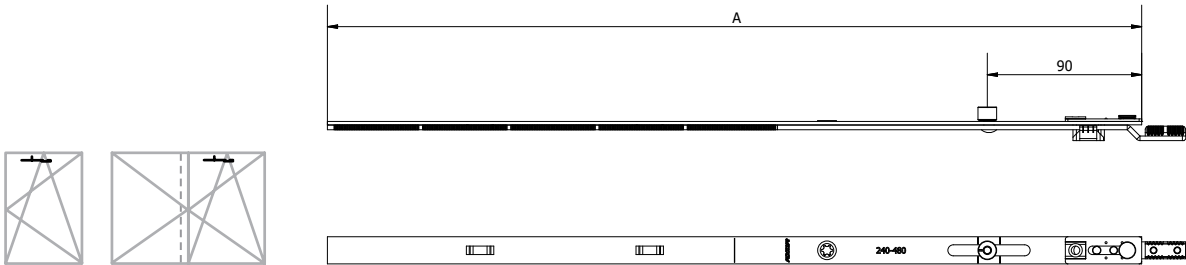
Dimensions B,C and D are distances from the outer edge of middle lock or its extension to the locking pin axis



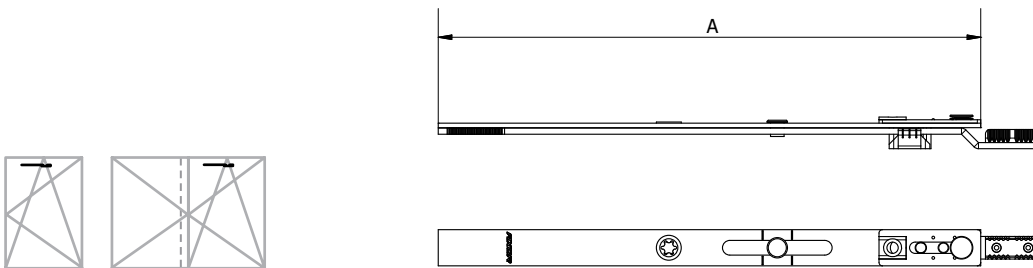
Extension lock

Corner transmissions
Middle locks

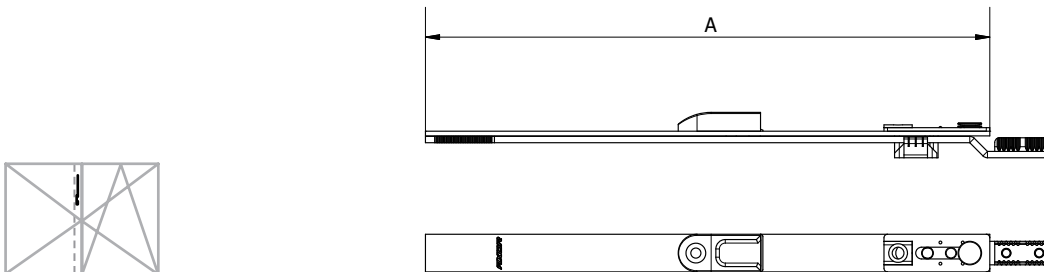
Extension lock



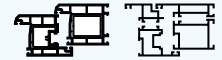
Extension lock without locking pin



Extension lock, double sash



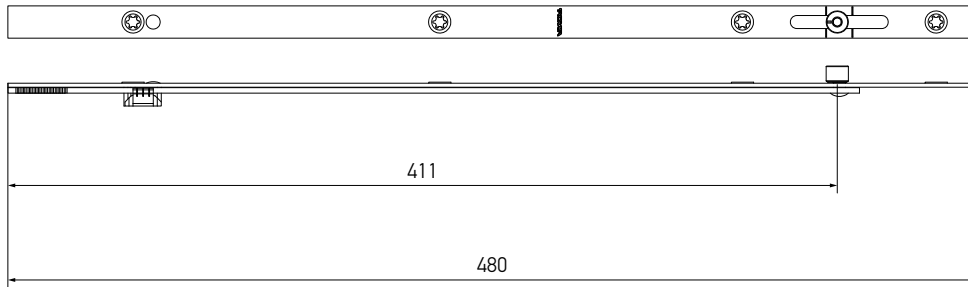
Description	Dimension A					Part No.
Extension lock 240 mm	240	1	—	2	25	K4003-02-N03
Extension lock 480 mm	480	1	—	2	25	K4003-05-N03
Extension lock 240 mm, Se	240	—	1	2	25	K4023-02-N03
Extension lock 480 mm, Se	480	—	1	2	25	K4023-05-N03
Extension lock without locking pin	240	—	—	2	20	K4038-02-N03
Extension lock, double sash, 240 mm	240	—	—	2	25	K4015-02-N03
Extension lock, double sash, 480 mm	480	—	—	2	25	K4015-05-N03



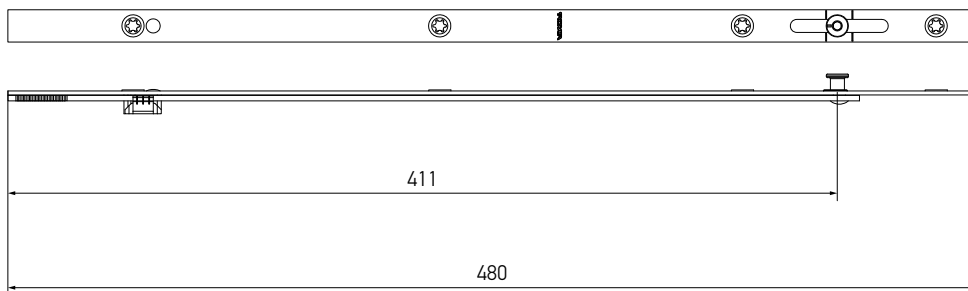
Extension lock

Corner transmissions
Middle locks

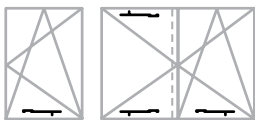
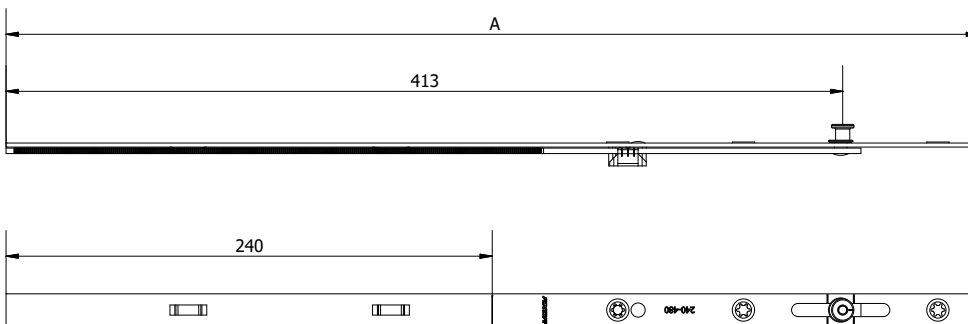
Extension lock for corner transmission







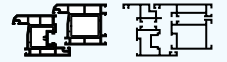
Extension lock for corner transmission, Se



Extension lock with possibility to cut



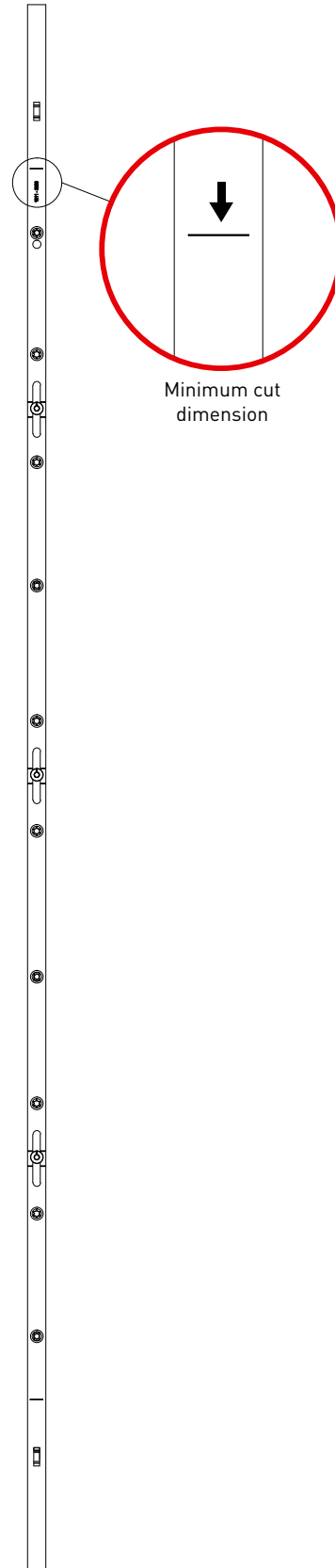
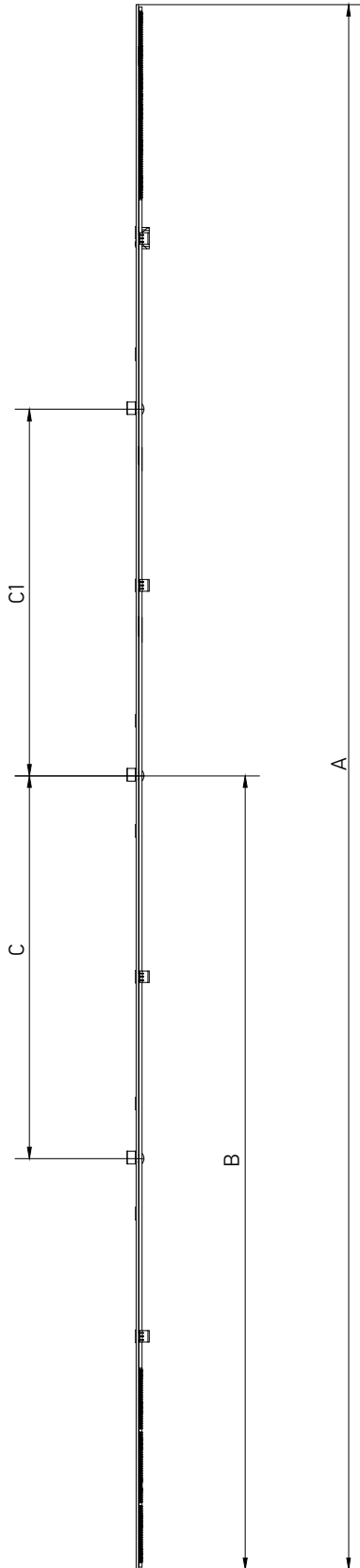
Description	Dimension A					Part No.
Extension lock for corner transmission L=480 mm	480	1	—	4	20	K4010-00-N03
Extension lock for corner transmission L=680 mm	680	1	—	4	20	K4010-07-N03
Extension lock for corner transmission L=480 mm, Se	480	—	1	4	20	K4030-00-N03
Extension lock 480 mm with possibility to cut	480	—	1	3	20	K4036-05-N03
Extension lock 720 mm with possibility to cut	720	—	1	4	20	K4036-07-N03

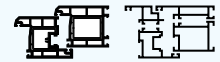


Middle connection

Corner transmissions
Middle locks

Middle connection





Middle connection

Description	SRW (mm)	Dimensions								Part No.
		A	B	C	C-1					
Middle connection L = 450, 551-750	551-750	450	225	—	—	—	—	2	20	K4013-05-N03
Middle connection L = 650, 751-950	751-950	650	325	—	—	1	—	4	20	K4013-07-N03
Middle connection L = 1130, 951-1430	951-1430	1130	565	—	—	1	—	4	20	K4013-11-N03
Middle connection L = 1610, 1431-1910	1431-1910	1610	805	330	330	2	—	8	10	K4013-16-N03
Middle connection L = 2090, 1911-2390	1011-2390	2090	1045	595	595	3	—	10	10	K4013-21-N03
Middle connection* L = 650, 751-950, Se	751-950	650	325	—	—	—	1	4	20	K4033-07-N03
Middle connection* L = 1130, 951-1430, Se	951-1430	1130	565	—	—	—	1	4	20	K4033-11-N03
Middle connection* L = 1610, 1431-1910, Se	1431-1910	1610	805	330	330	—	2	8	10	K4033-16-N03
Middle connection* L = 2090, 1911-2390, Se	1011-2390	2090	1045	595	595	—	3	10	10	K4033-21-N03

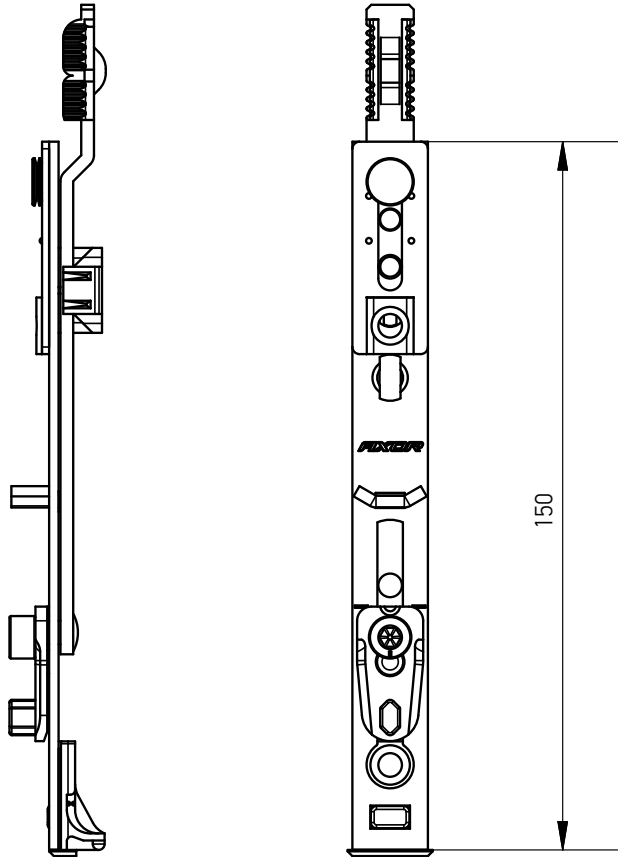
* we offer security pins for different degree of protection



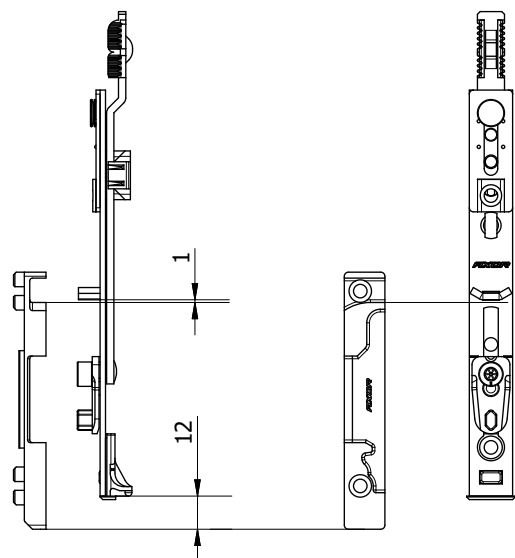
Bottom extension



Corner transmissions
Middle locks

Bottom extension



- not intended for WK security level;
- connection of middle lock is available.

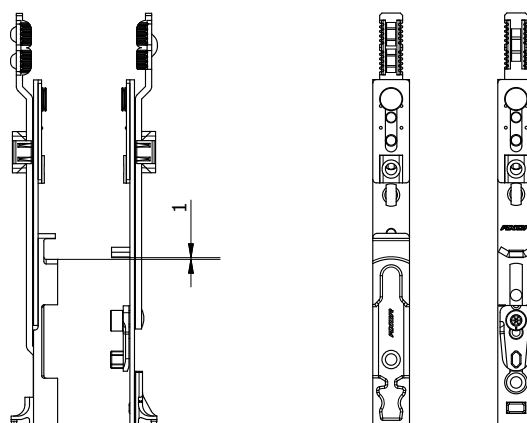
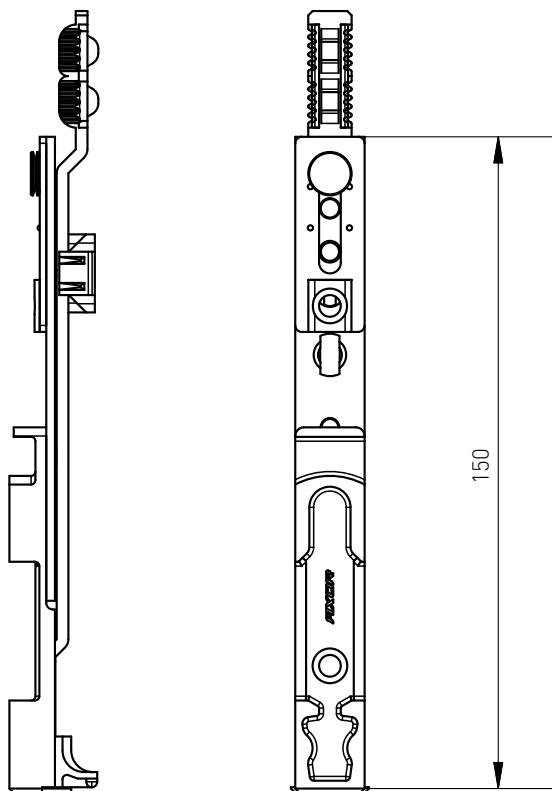


Description	SRH (mm)			Part No.
Bottom extension	450-800	3	50	K4009-00-N03
Bottom extension	801-2390	3	50	K4002-00-N03

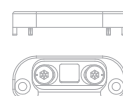
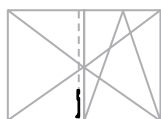


Shoot bolt bottom

Shoot bolt bottom



- latch outlet 11 mm;
- use with K1002-XX-N03 gear;
- not destined for safety level;
- connection of middle lock is available.



Description	SRW (mm)	SRH (mm)			Part No.
Shoot bolt bottom	400-1280	551-2390	3	50	K4006-00-N03

Description	Profile	Side opening	A	C	B			Part No.
Locking plate adjustable for shoot bolt	Rehau (13 mm), Aluplast, WDS, Veka	L/R	12	20	13	2	100	K6002-13-N03
Locking plate adjustable for shoot bolt	KBE (9 mm)	L/R	12	20	9	2	100	K6002-09-N03

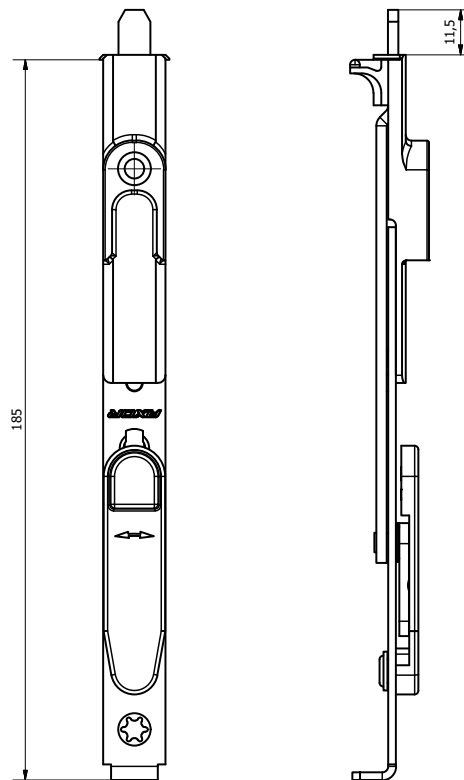
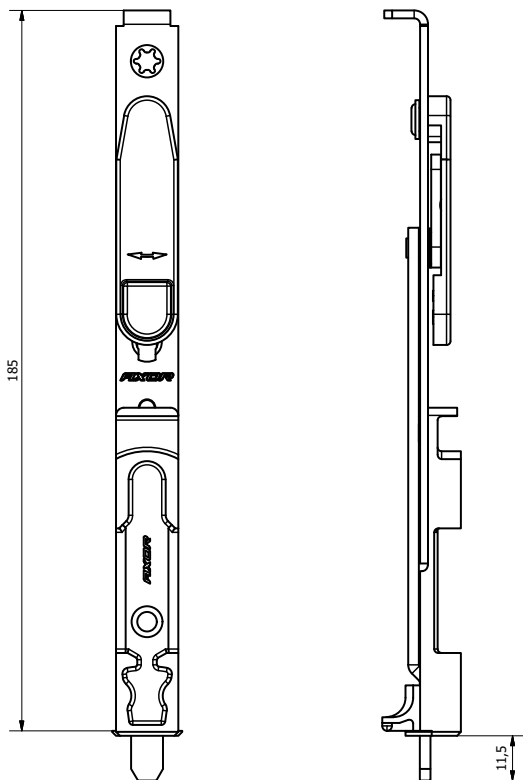


Shoot bolt

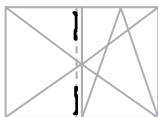
Corner transmissions
Middle locks



Shoot bolt bottom

Shoot bolt top



- latch outlet 11,5 mm;
- not destined for safety level;
- connection of middle lock is available.



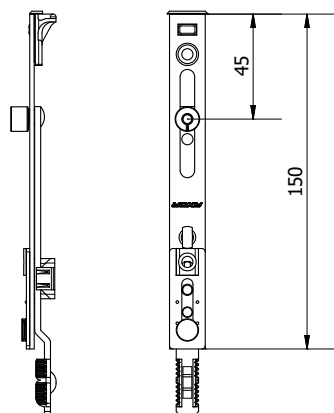
Description	SRW (mm)	SRH (mm)			Part No.
Shoot bolt bottom	400-1280	551-2390	3	50	K4035-01-N03
Shoot bolt top	400-1280	551-2390	3	50	K4035-02-N03



Bottom extension for turn sash

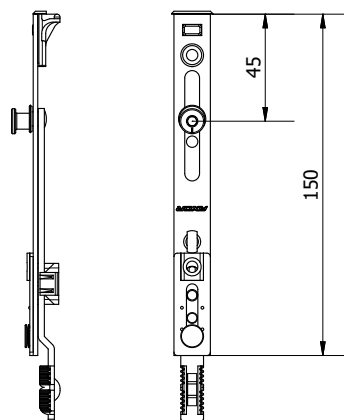
Corner transmissions
Middle locks

Bottom extension for turn sash 180° (top)



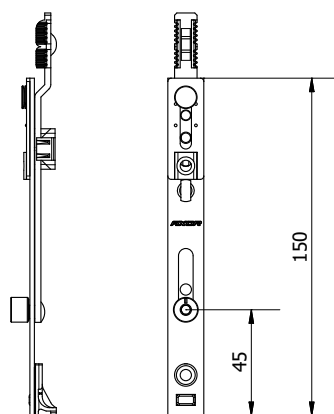
- connection of middle lock is available.

Bottom extension for turn sash 180° (top), Se



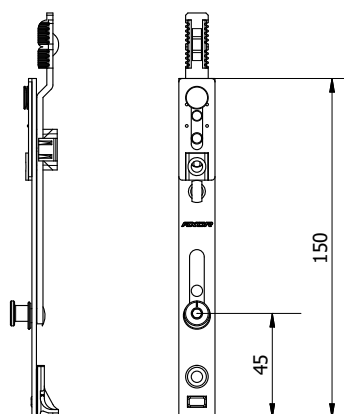
- connection of middle lock is available.

Bottom extension for turn sash 90° (bottom)

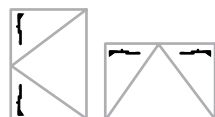


- connection of middle lock is available.

Bottom extension for turn sash 90° (bottom), Se



- connection of middle lock is available.



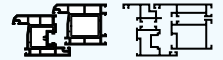
Description	SRH (mm)					Part No.
Bottom extension for turn sash 180° (top)	450-2390	1	—	3	50	K4011-00-N03
Bottom extension for turn sash 90° (bottom)	450-2390	1	—	3	50	K4007-00-N03
Bottom extension for turn sash 180° (top), Se	450-2390	—	1	3	50	K4031-00-N03
Bottom extension for turn sash 90° (bottom), Se	450-2390	—	1	3	50	K4027-00-N03
Bottom extension for turn sash 90° (top)	450-2390	1	—	3	50	K4037-00-N03

AXORTM

KOMFORT LINE K-3

Stay arm

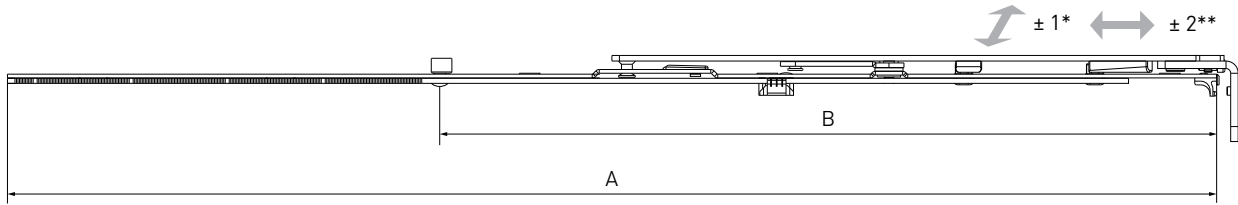
AXOR



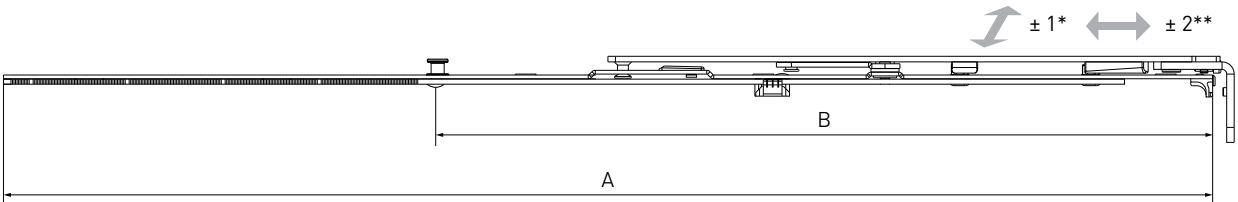
Stay arm

Stay arm

Stay arm

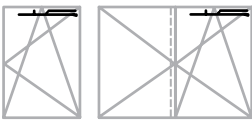


Stay arm, Se

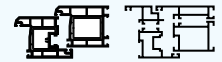


- for 18-22 mm sash overlap;
- sash rebate gap min. 12 mm.

* clamp adjustment, mm
 ** horizontal adjustment, mm



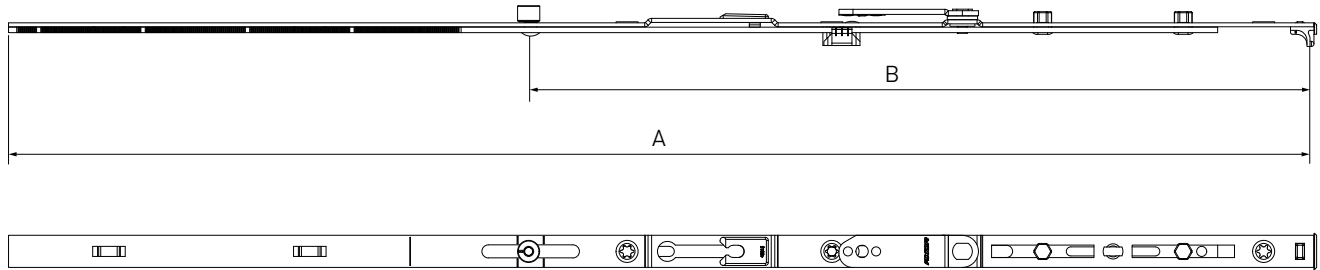
Description	SRW (mm)	Dimensions							Part No.
		A	B						
Stay arm 1, L=450, 400-600	400-600	450	—	—	—	130	3	20	K3001-05-N03
Stay arm 2, L=650, 601-800	601-800	650	—	—	—	130	4	20	K3001-07-N03
Stay arm 2+ML, L=650, 601-800, 1 ML	601-800	650	390	1	—	130	4	18	K3001-57-N03
Stay arm 3, L=890, 801-1040	801-1040	890	537	1	—	130	6	20	K3001-09-N03
Stay arm 4, L=1130, 1041-1280	1041-1280	1130	624	1	—	130	7	20	K3001-11-N03
Stay arm 2+ML, L=650, 601-800, 1 ML, Se	601-800	650	390	—	1	130	4	18	K3021-57-N03
Stay arm 3, L=890, 801-1040, Se	801-1040	890	537	—	1	130	6	20	K3021-09-N03
Stay arm 4, L=1130, 1041-1280, Se	1041-1280	1130	624	—	1	130	7	20	K3021-11-N03



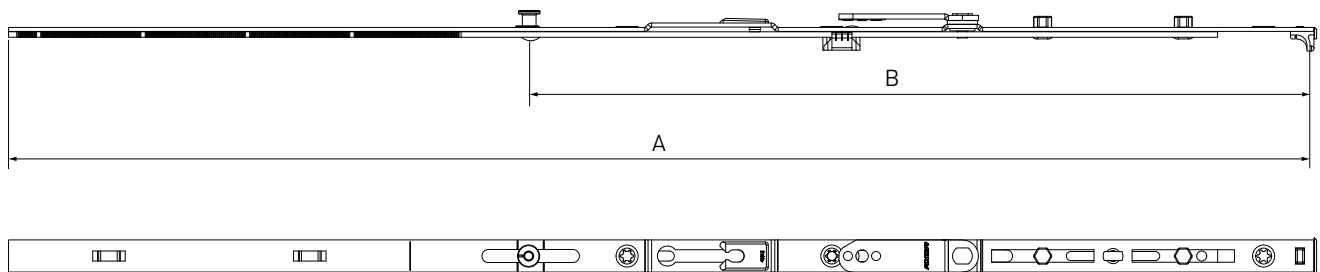
Stay arm, sash part

Stay arm

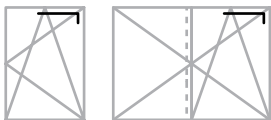
Stay arm, sash part



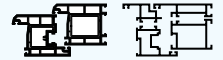
Stay arm, sash part, Se



- for 18-22 mm sash overlap;
- sash rebate gap min. 12 mm;



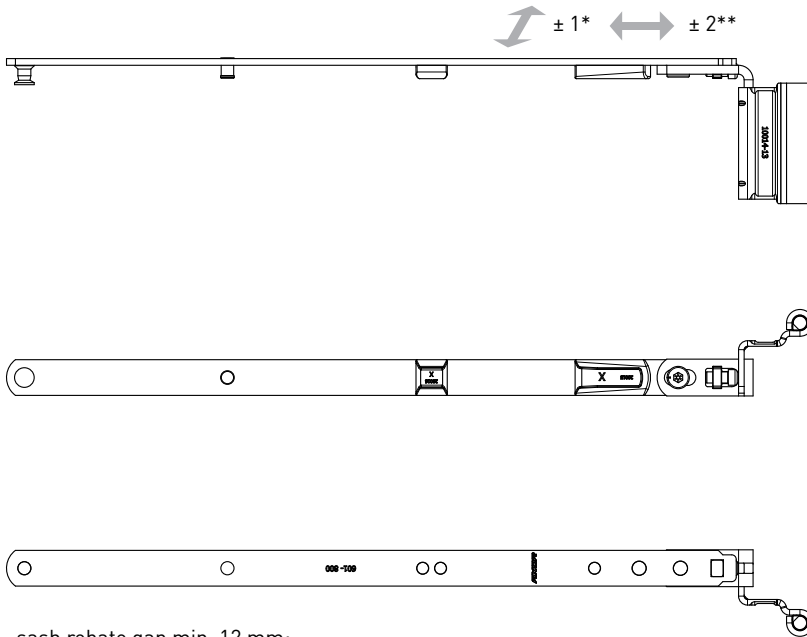
Description	SRW (mm)	Dimensions				kg			Part No.
		A	B						
Stay arm, sash part, L= 485, 400-600	400-600	450	—	—	—	130	3	20	K3013-05-N03
Stay arm, sash part, L= 685, 601-800	601-800	650	—	—	—	130	4	20	K3013-07-N03
Stay arm, sash part, 2+ML, L= 685, 601-800	601-800	650	390	1	—	130	4	20	K3013-57-N03
Stay arm, sash part, L= 925, 801-1040, 1 ML	801-1040	890	537	1	—	130	6	10	K3013-09-N03
Stay arm, sash part, L= 1165, 1041-1280, 1 ML	1041-1280	1130	624	1	—	130	7	10	K3013-11-N03
Stay arm, sash part, L= 925, 801-1040, 1 ML	801-1040	890	537	—	1	130	6	10	K3023-09-N03
Stay arm, sash part, L= 1165, 1041-1280, 1 ML	1041-1280	1130	624	—	1	130	7	10	K3023-11-N03



Stay arm, frame part

Stay arm

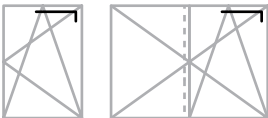
Stay arm, frame part



- sash rebate gap min. 12 mm;

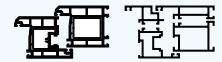
* clamp adjustment, mm

** horizontal adjustment, mm



Description	SRW (mm)	Side opening	A	C	B		Part No.
Stay arm, frame part 13, L=248, 400-600, left	400-600	L	12	20	13	10	K3011-02-L03
Stay arm, frame part 13, L=248, 400-600, right	400-600	R	12	20	13	10	K3011-02-R03
Stay arm, frame part 13, L=319, 601-800, left	601-800	L	12	20	13	10	K3011-03-L03
Stay arm, frame part 13, L=319, 601-800, right	601-800	R	12	20	13	10	K3011-03-R03
Stay arm, frame part 13, L=449, 801-1040, left	801-1040	L	12	20	13	10	K3011-04-L03
Stay arm, frame part 13, L=449, 801-1040, right	801-1040	R	12	20	13	10	K3011-04-R03
Stay arm, frame part 13, L=539, 1041-1280, left	1041-1280	L	20	20	13	10	K3011-05-L03
Stay arm, frame part 13, L=539, 1041-1280, right	1041-1280	R	20	20	13	10	K3011-05-R03

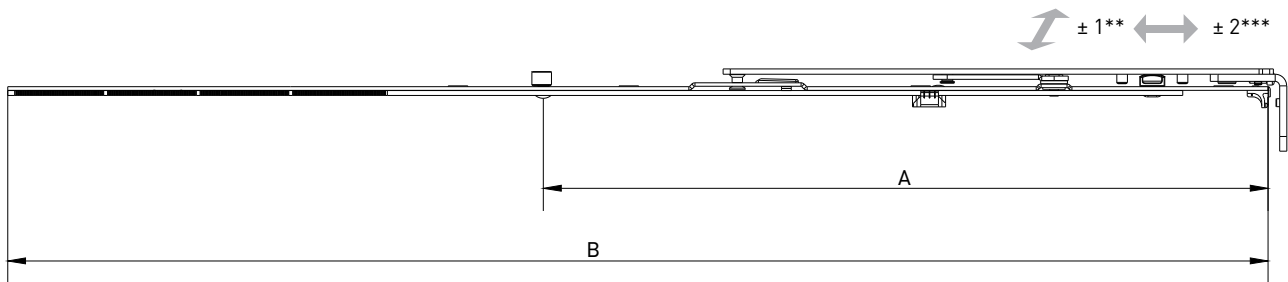
A - sash rebate gap / C - sash overlap / B - sash groove position



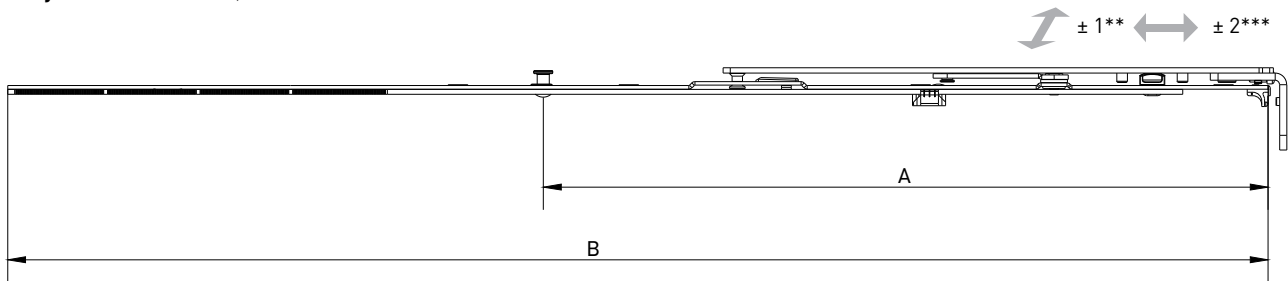
Stay arm “First Tilt”

Stay arm

Stay arm “First Tilt”

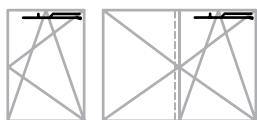


Stay arm “First Tilt”, Se

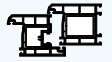


- for 18-22 mm sash overlap;
- sash rebate gap min. 12 mm;
- they are used together with corner transmission and a special tilt locking plate instead of the bottom extension (see: “Hardware set combinations” section).

** clamp adjustment, mm
 *** horizontal adjustment, mm



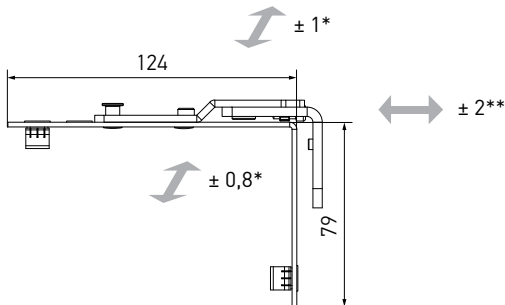
Description	SRW (mm)	Dimensions							Part No.
		A	B						
Stay arm 1, “First Tilt”, L=450, 400-600	400-600	450	—	—	—	130	3	20	K3014-05-N03
Stay arm 2, “First Tilt”, L=650, 601-800	601-800	650	—	—	—	130	4	20	K3014-07-N03
Stay arm 3, “First Tilt”, L=890, 801-1040	801-1040	890	537	1	—	130	6	10	K3014-09-N03
Stay arm 4, “First Tilt”, L=1130, 1041-1280	1041-1280	1130	624	1	—	130	7	10	K3014-11-N03
Stay arm 3, “First Tilt”, L=890, 801-1040, Se	801-1040	890	537	—	1	130	6	10	K3024-09-N03
Stay arm 4, “First Tilt”, L=1130, 1041-1280, Se	1041-1280	1130	624	—	1	130	7	10	K3024-11-N03



Turn stay arm

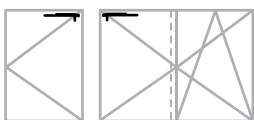
Stay arm





Turn stay arm



* clamp adjustment, mm

** horizontal adjustment, mm



Description	SRW (mm)					Part No.
Turn stay arm	280-1280	0	4	100	100	K5002-00-N03

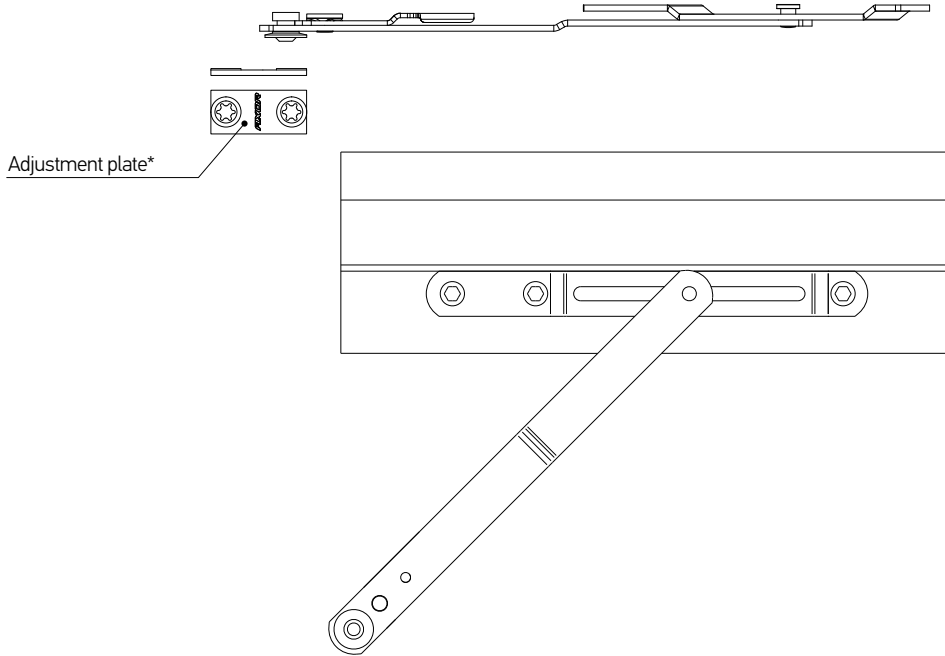


**Tilt stay arm
(fixing on a gear)**

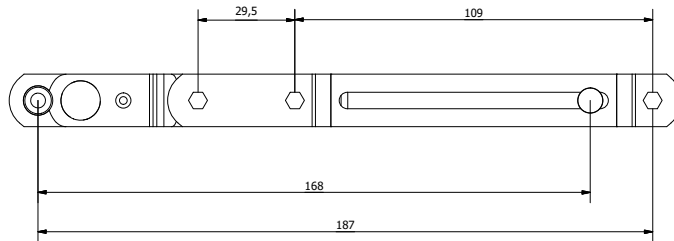
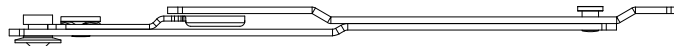
Stay arm

Tilt stay arm (fixing on a gear)

General view and stay-arm position at a frame



Information for installation



Description	SRW (mm)			kg		Part No.
Tilt stay arm (fixing on a gear)	450-1710	0	3	45	100	A7017-00-N03
Adjustment plate for the tilt stay arm	—	—	—	—	—	A7039-00-N03

* - To install stay arm vertically



Additional stay arm

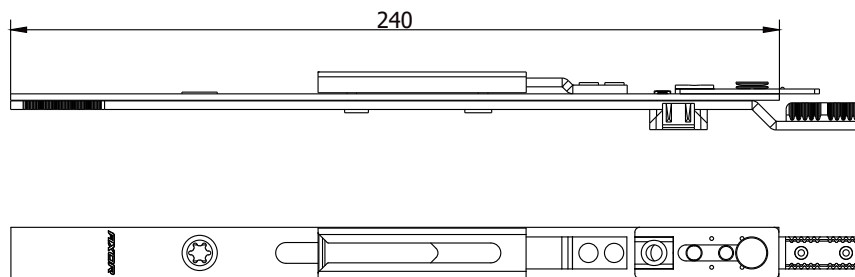
Stay arm

Additional stay arm, frame part

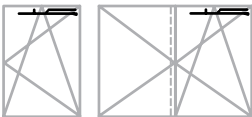


- installation when the sash rebate width is from 1200 mm
- for left and right opening
- profile-dependent element

Additional stay arm, sash part



- installation when the sash rebate width is from 1200 mm
- for left and right opening



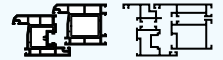
Description	SRW (mm)					Part No.
Additional stay arm, frame part, L=240, 1200-1520 (ALUPLAST)	1200-1520	—	2	130	20	K3015-00-N03
Additional stay arm, frame part, L=240, 1200-1520 (WDS)	1200-1520	—	2	130	20	K3015-01-N03
Additional stay arm, frame part, L=240, 1200-1520 (GEALAN)	1200-1520	—	2	130	20	K3015-02-N03
Additional stay arm, sash part, L=240, 1200-1520	1200-1520	—	2	130	20	K3016-00-N03

AXORTM

KOMFORT LINE K-3

Additional elements

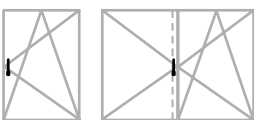
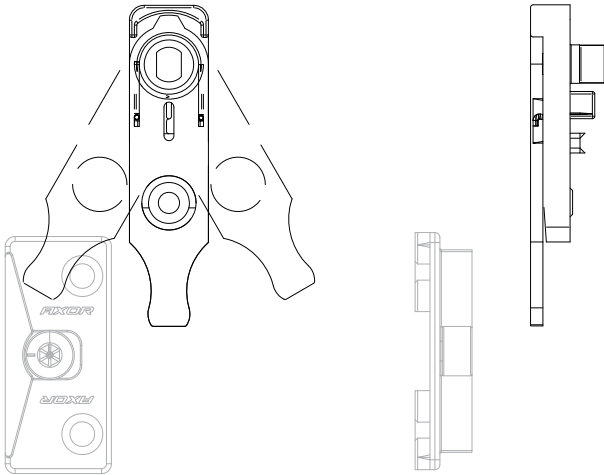
AXOR



Wrong operation safety device with sash lifter

Additional elements

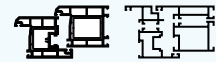
Wrong operation safety device with sash lifter



Description	Side opening	A	C	B	kg			Part No.
Wrong operation safety device with sash lifter	L/R	—	—	—	—	1	100	A7001-00-N03
Lifting plate	look at the section "Profile-dependent elements"							
Lifting plate plate for double-sash window	L/R	12	—	09-13	—	2	250	A6001-00-N03
Lifting plate, 9 mm*	L/R	12	—	09	—	2	250	A6028-09-N03
Lifting plate, 13 mm*	L/R	12	—	13	—	2	250	A6043-13-N03

* - only for aluminum profile, 9 mm

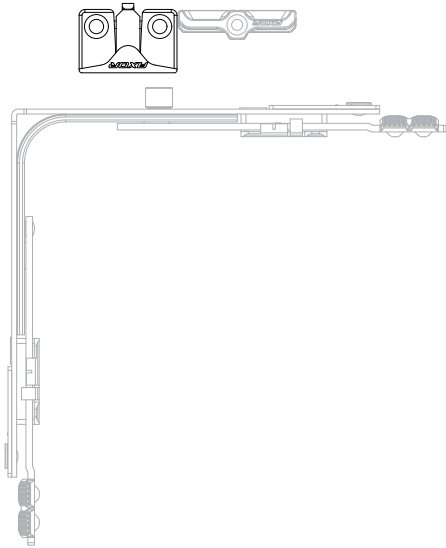
A - sash rebate gap / C - sash overlap / B - sash groove position



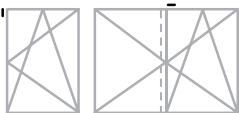
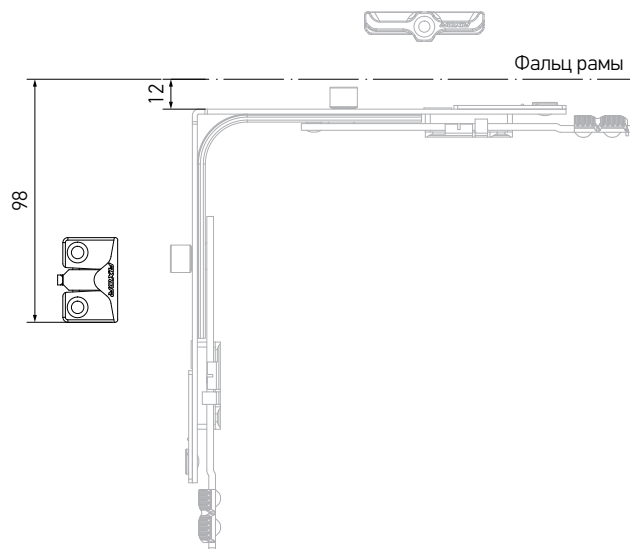
Locking plate, integrated slit

Additional elements

Locking plate, integrated slit



- intended for PVC-windows only;
- use with standard and narrow corner transmissions;
- independent from type of opening (left or right);
- creates a 7-mm gap for ventilation;
- recommended for using with 8-position handle.



Description	Profile	Side opening	A	C	B			Part No.
Locking plate, integrated slit	Profile-dependent element*	L/R	12	—	9	2	100	A6005-09-N03
Locking plate, integrated slit	Profile-dependent element*	L/R	12	—	13	2	200	A6002-13-N03
Locking plate, integrated slit	aluminum profile, 9 mm	L/R	12	—	9	2	—	A6026-09-N03
Locking plate, integrated slit	aluminum profile, 13 mm	L/R	12	—	13	2	—	A6044-13-N03

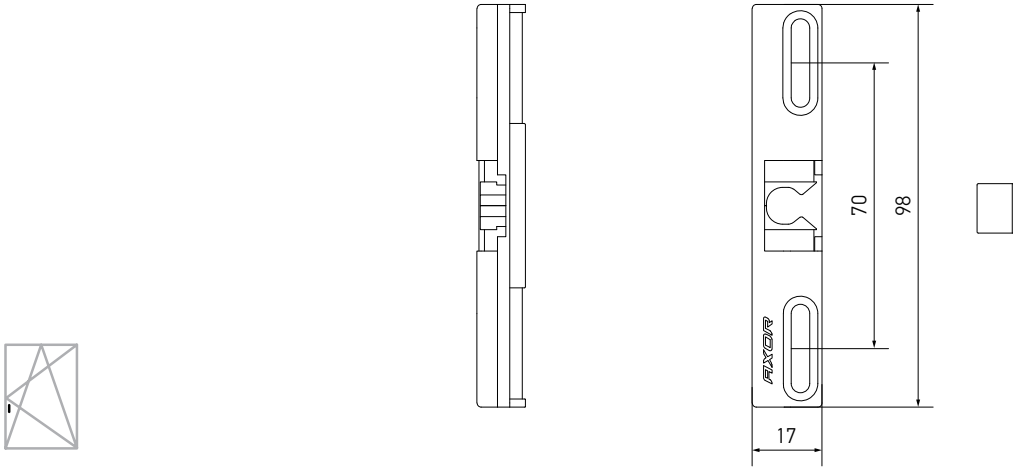
*For article numbers of other components look at the section "Profile-dependent elements"
 A - sash rebate gap / C - sash overlap / B - sash groove position



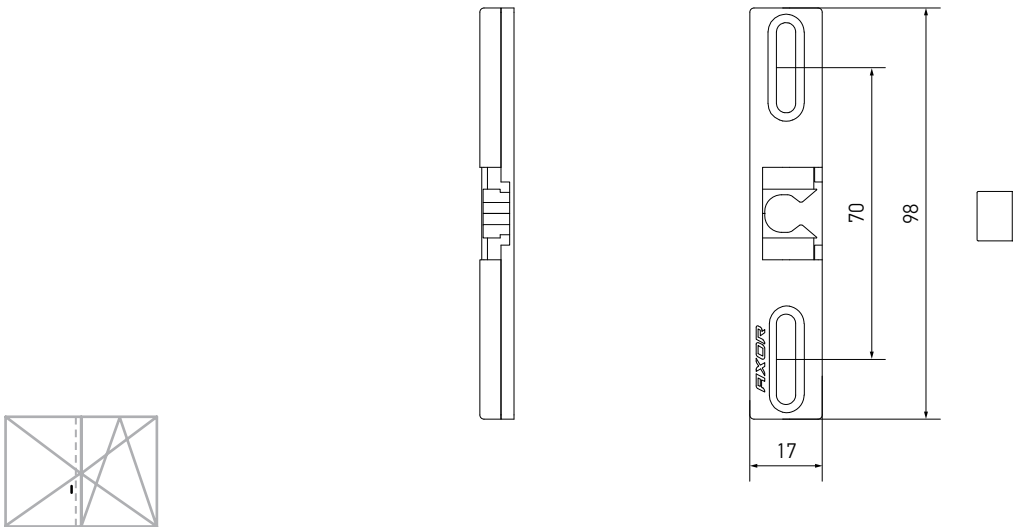
Balcony catch



Additional elements

Balcony catch M



Balcony catch for double-sash gear M



Description	Side opening	A	C	B			Part No.
Balcony catch M	L/R	12	20	13	2 / 4x35	50	A7046-13-N03
Balcony catch G	L/R	12	20	9	2 / 4x35	100	A7018-09-N03
Balcony locking pin	—	—	—	—	1 / 4x30	1000	A7031-00-N00
Balcony catch for double-sash gear M	L/R	—	—	—	2 / 4x30	50	A7047-00-N03

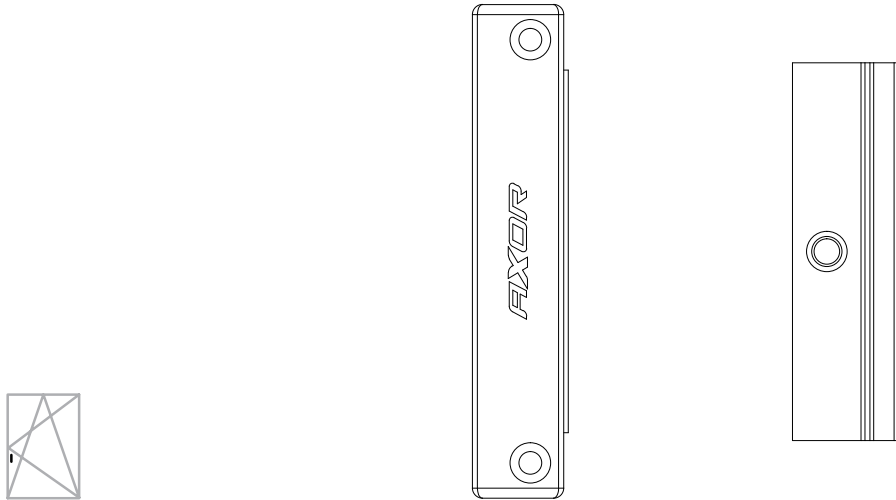
A - sash rebate gap / C - sash overlap / B - sash groove position



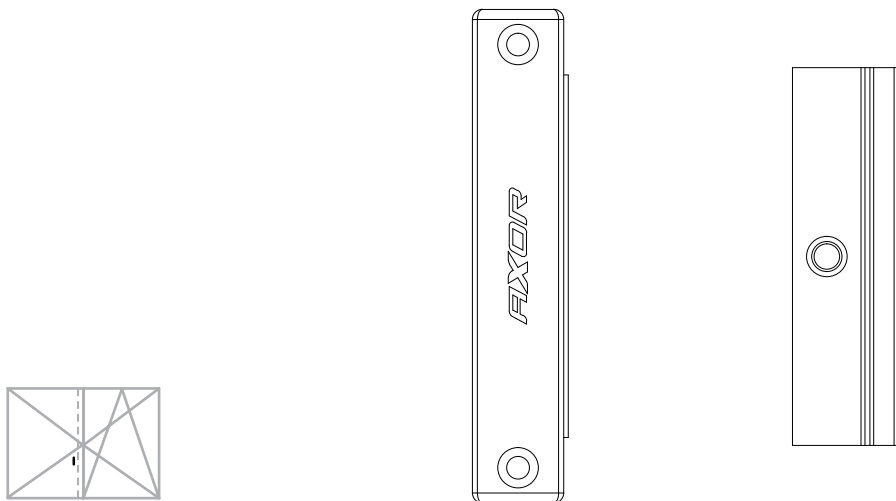
Magnetic balcony catch



Additional elements

Magnetic balcony catch



Magnetic balcony catch for double-sash gear



Description	Side opening	A	C	B			Part No.
Magnetic balcony catch, frame part	L/R	12	20	—	2 / 4x35	100	A7053-00-N03
Magnetic balcony catch, sash part, 13 th system	L/R	—	—	13	1/4x30	100	A7055-13-N03
Magnetic balcony catch, sash part, 9 th system	—	—	—	9	1/4x30	100	A7055-09-N03
Magnetic balcony catch for double-sash gear, frame part	L/R	—	—	—	2 / 4x30	100	A7054-00-N03

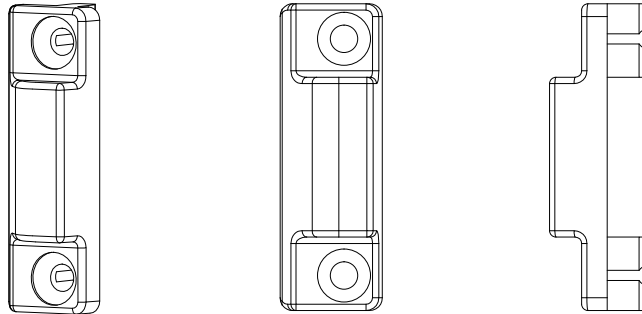
A - sash rebate gap / C - sash overlap / B - sash groove position



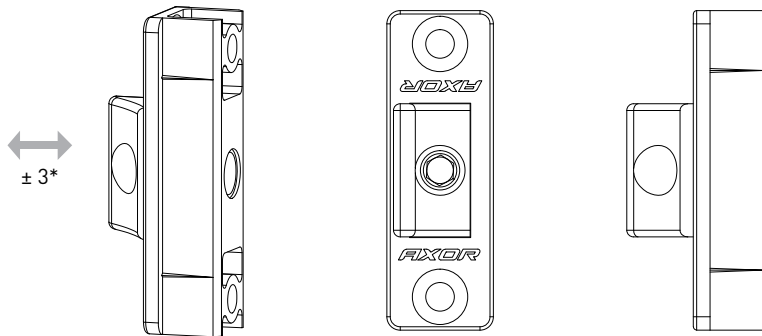
Concealed middle hinge

Additional elements

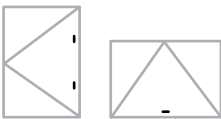
Concealed middle hinge frame part






Concealed middle hinge sash part



* horizontal adjustment, mm



Description	SRH/SRW (mm)		A	C	B			Part No.
Concealed middle hinge frame part 12/20-13	751-1710	1	12	20	13	2 / 4x35	100	A7057-13-N03
	1711-2360	2						
Concealed middle hinge frame part 12/20-9	751-1710	1	12	20	9	2 / 4x35	100	A7057-09-N03
	1711-2360	2						
Concealed middle hinge sash part	751-1710	1	—	—	—	2 / 4x25	100	A7056-00-N03
	1711-2360	2						

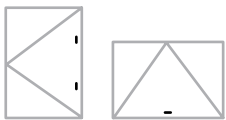
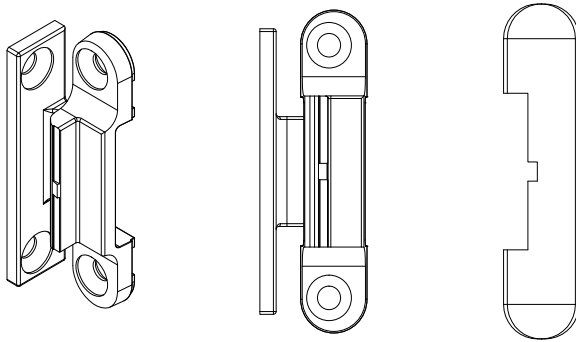
A - sash rebate gap / C - sash overlap / B - sash groove position






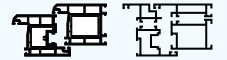
Middle hinge

Additional elements

Middle hinge



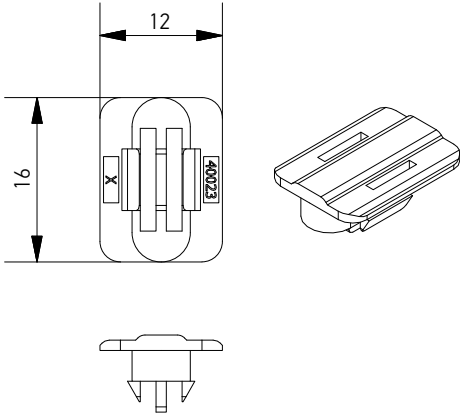
Description	SRH/SRW (mm)				Part No.
Middle hinge with cover (white)	751-1710	1	4 / 4x25	100	A7045-00-N01
	1711-2360	2			
Middle hinge with cover (brown)	751-1710	1	4 / 4x25	100	A7045-00-N02
	1711-2360	2			



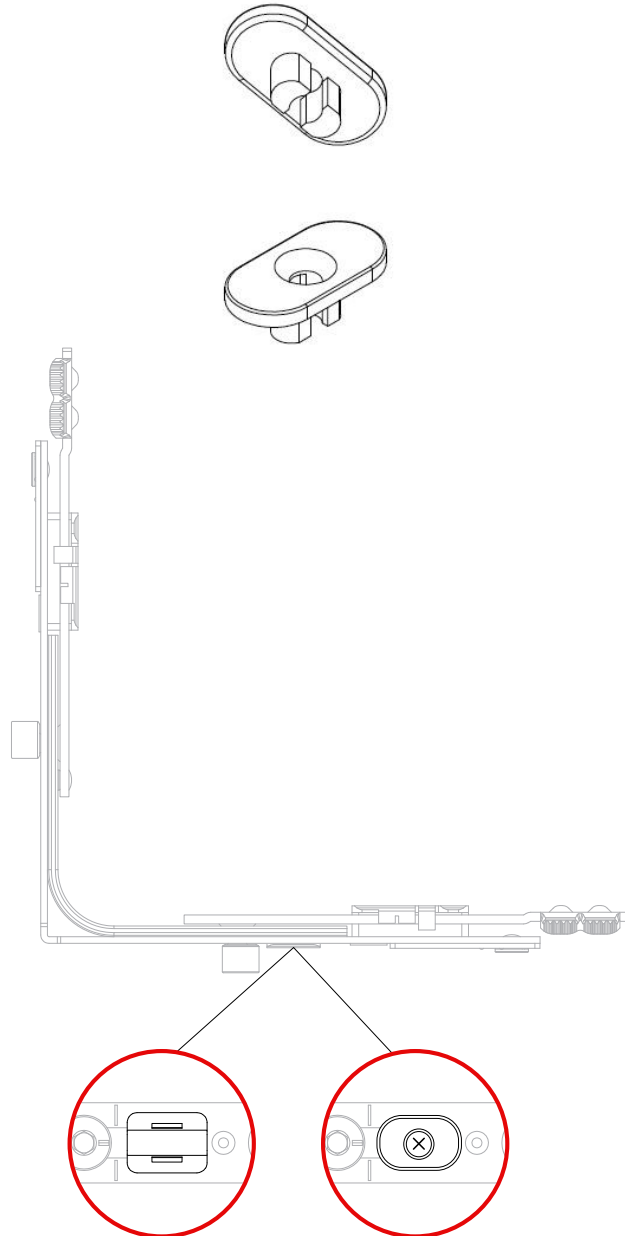
Stroke limiter 90°

Additional elements

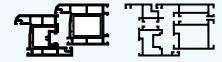
Stroke limiter 90°



Stroke limiter 90°
made of ZAMAK alloy



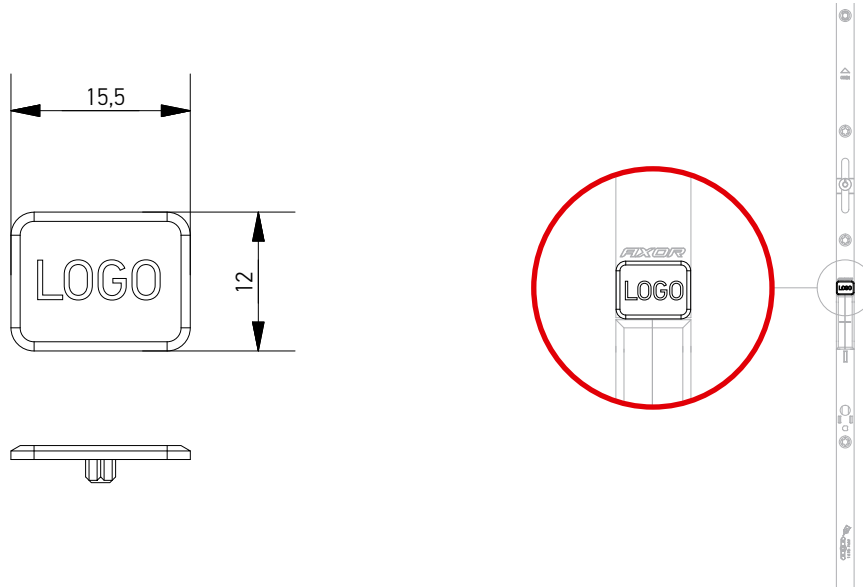
Description		Part No.
Stroke limiter 90°	4000	A7052-00-N03
Stroke limiter 90° made of ZAMAK alloy	1000	A7103-00-N03



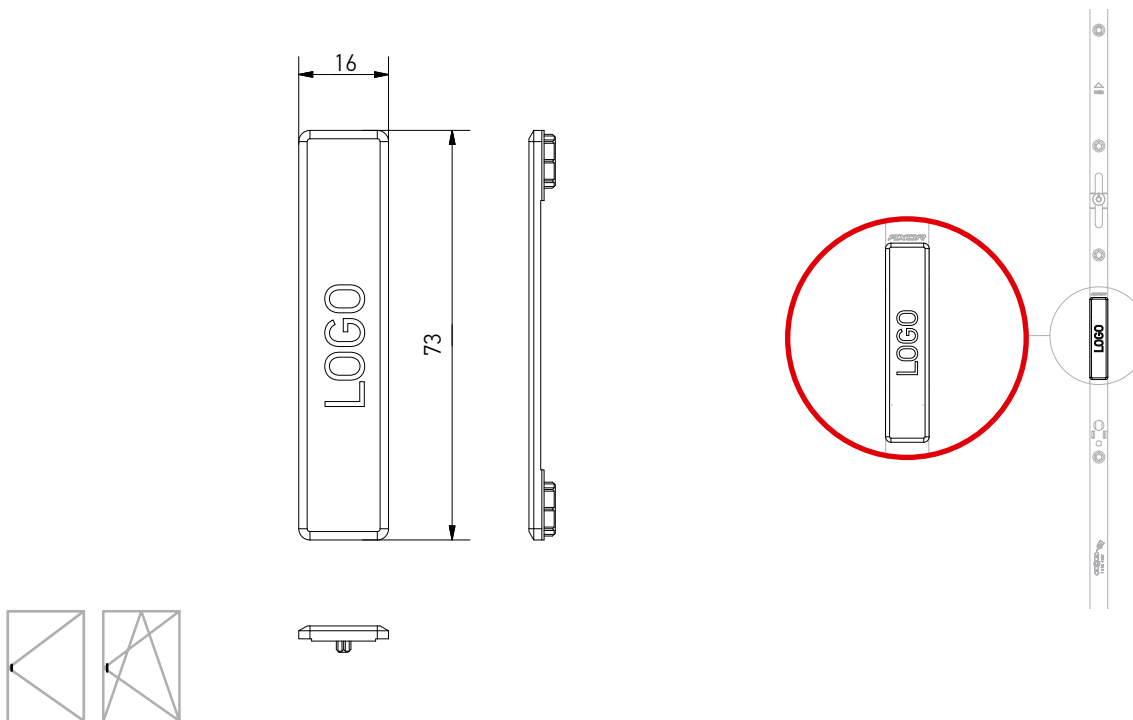
Cover for gear with customer logo

Additional elements

Cover for gear with customer logo, S



Cover for gear with customer logo, M



Description		Part No.
Cover for gear with customer logo, S	4000	A7060-00-N03
Cover for gear with customer logo, M	500	40001-00-N09

AXORTM

KOMFORT LINE K-3

Hardware set combinations

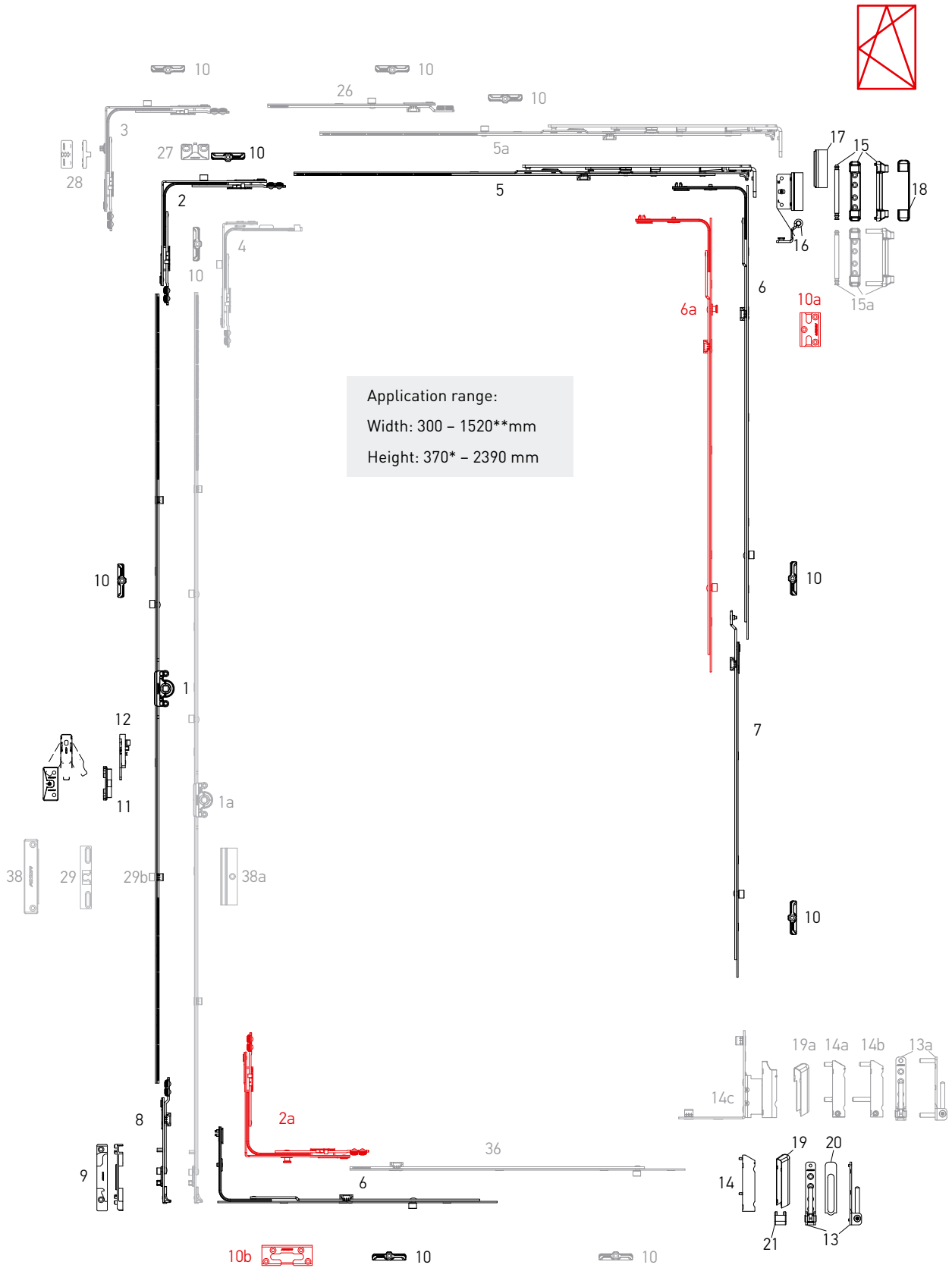
AXOR



Tilt and turn set

Hardware set combinations

Tilt and turn set



* with the constant gear K1004-04-N03

** with the linear extension 240 mm



Tilt and turn set

Hardware set combinations

Nº	Description	Application range by width	Application range by height	Part No.
1	Gear variable 0, L=250, 450-550	—	450-550	K1001-02-N03
	Gear variable 1, L=450, 551-750	—	551-750	K1001-04-N03
	Gear variable 2, L=930, 751-1230, 1 ML	—	751-1230	K1001-09-N03
	Gear variable 3, L=1130, 950-1430, 1 ML	—	950-1430	K1001-11-N03
	Gear variable 4, L=1410, 1231-1710, 2 ML	—	1231-1710	K1001-14-N03
	Gear variable 5, L=1610, 1431-1910, 2 ML	—	1431-1910	K1001-16-N03
	Gear variable 6, L=2090, 1911-2390, 3 ML	—	1911-2390	K1001-21-N03
1a	Constant tilt-turn gear 0, L=400, G=140, 370-550*	—	370-550	K1004-04-N03
	Constant tilt-turn gear 1, L=350, G=175, 400-500*	—	400-500	K1004-03-N03
	Constant tilt-turn gear 2, L=530, G=200, 480-680*	—	480-680	K1004-05-N03
	Constant tilt-turn gear 3, L=770, G=300, 681-920*	—	681-920	K1004-08-N03
	Constant tilt-turn gear 4, L=1010, G=450, 921-1160*	—	921-1160	K1004-10-N03
	Constant tilt-turn gear 5, L=1250, G=600, 1161-1400*	—	1161-1400	K1004-12-N03
	Constant tilt-turn gear 6, L=1490, G=600, 1401-1640*	—	1401-1640	K1004-15-N03
	Constant tilt-turn gear 7, L=1730, G=600, 1641-1880*	—	1641-1880	K1004-17-N03
	Constant tilt-turn gear 8, L=1730, G=1000, 1641-1880*	—	1641-1880	K1004-18-N03
	Constant tilt-turn gear 9, L=1970, G=1000, 1881-2120*	—	1881-2120	K1004-20-N03
	Constant tilt-turn gear 10, L=2210, G=1000, 2121-2360*	—	2121-2360	K1004-22-N03
2	Corner transmission 150x150	400-1280	450-2390	K2001-00-N03
2a	Corner transmission 1 ML, Se 150x150	400-1280	450-2390	K2005-00-N03
3	Corner transmission, integrated slit (left)	400-1280	450-2390	K2004-00-L03
	Corner transmission, integrated slit (right)	400-1280	450-2390	K2004-00-R03
4	Narrow corner transmission 50x150	300-400	450-2390	K2003-00-N03
		400-600	370-550*	
5	Stay arm 1, L=450, 400-600	400-600	—	K3001-05-N03
	Stay arm 2, L=650, 601-800	601-800	—	K3001-07-N03
	Stay arm 3, L=890, 801-1040 ML	801-1040	—	K3001-09-N03
	Stay arm 4, L=1130, 1041-1280 ML	1041-1280	—	K3001-11-N03
5a	Stay arm 2MV, L=650, 601-800, 1 ML	601-800	—	K3001-57-N03
6	Middle lock L=400, 1 ML	600-1000	600-1000	K4001-04-N03
	Middle lock L=650, 1 ML	850-1250	850-1250	K4001-06-N03
	Middle lock L=720, 1 ML	920-1320	920-1320	K4001-07-N03
	Middle lock L=820, 2 ML	1251-1430	1251-1430	K4001-08-N03
	Middle lock L=1130, 2 ML	—	1251-1730	K4001-11-N03
6a	Middle lock L=400, 1MR + 1 ML	600-1000	600-1000	K4008-04-N03
	Middle lock L=650, 1MR + 1 ML	850-1250	850-1250	K4008-06-N03
	Middle lock L=820, 1MR + 1 ML	1251-1430	1251-1430	K4008-08-N03
	Middle lock L=1130, 1MR + 2 ML	—	1251-1730	K4008-11-N03
7	Middle lock extension 480 mm	—	1710-2210	K4005-05-N03
	Middle lock extension 680 mm	—	2211-2390	K4005-07-N03



Tilt and turn set

 Hardware set
combinations

Nº	Description	Application range by width	Application range by height	Part No.
8	Bottom extension	—	450-800	K4009-00-N03
		—	801-2390	K4002-00-N03
9	Tilt locking plate, right	—	—	***
	Tilt locking plate, left	—	—	***
10	Locking plate	—	—	***
10a	Locking plate safety	—	—	***
10b	Tilt locking plate safety	—	—	***
11	Lifting plate	—	751-2390	***
12	Wrong operation safety device with sash lifter	—	751-2390	A7001-00-N03
13	Corner bearing	—	—	A5002-00-N03
13a	Corner bearing 6x22	—	—	A5004-00-N03
14	Drill-in corner hinge	—	—	A5003-00-N03
14a	Drill-in corner hinge with gasket pressure adjustment 6x12	—	—	A5007-00-N03
14b	Drill-in corner hinge with gasket pressure adjustment 6x16/26	—	—	A5006-00-N03
14c	Rebate corner hinge 20/9 left	—	—	A5009-09-L03
	Rebate corner hinge 20/9 right	—	—	A5009-09-R03
	Rebate corner hinge 20/13 left	—	—	A5009-13-L03
	Rebate corner hinge 20/13 right	—	—	A5009-13-R03
15	Stay arm bearing	—	—	A5001-00-N03
15a	Stay arm bearing 6x24	—	—	A5005-00-N03
16	Top sash hinge	—	—	K5001-**-N03
17	Cover of top sash hinge	—	—	A7004-10-N****
18	Cover of stay arm bearing	—	—	A7005-10-N****
19	Cover of the drill-in corner hinge	—	—	A7006-10-N****
19a	Cover of rebate corner hinge, left / right	—	—	A7009-00-L/R****
20	Top cover of corner bearing	—	—	A7008-10-N****
21	Bottom cover of corner bearing	—	—	A7007-10-N****
26	Extension lock 240 mm	—	—	K4003-02-N03
27	Locking plate, integrated slit	—	—	***
28	Locking plate for adjustable integrated slit	—	—	***
29	Balcony catch	—	—	A7046-**-N03
29b	Balcony locking pin	—	—	A7031-00-N00
36	Extension lock for corner transmission L=480 mm	—	—	K4010-00-N03
38	Magnetic balcony catch, frame part	—	—	A7053-00-N03
38a	Magnetic balcony catch, sash part	—	—	A7055-**-N03

* – displaced from the center

** – according to displacement axis of sash groove (9 mm, 10 mm, 13 mm, 14 mm)

*** – look at the section "Profile-depending elements"

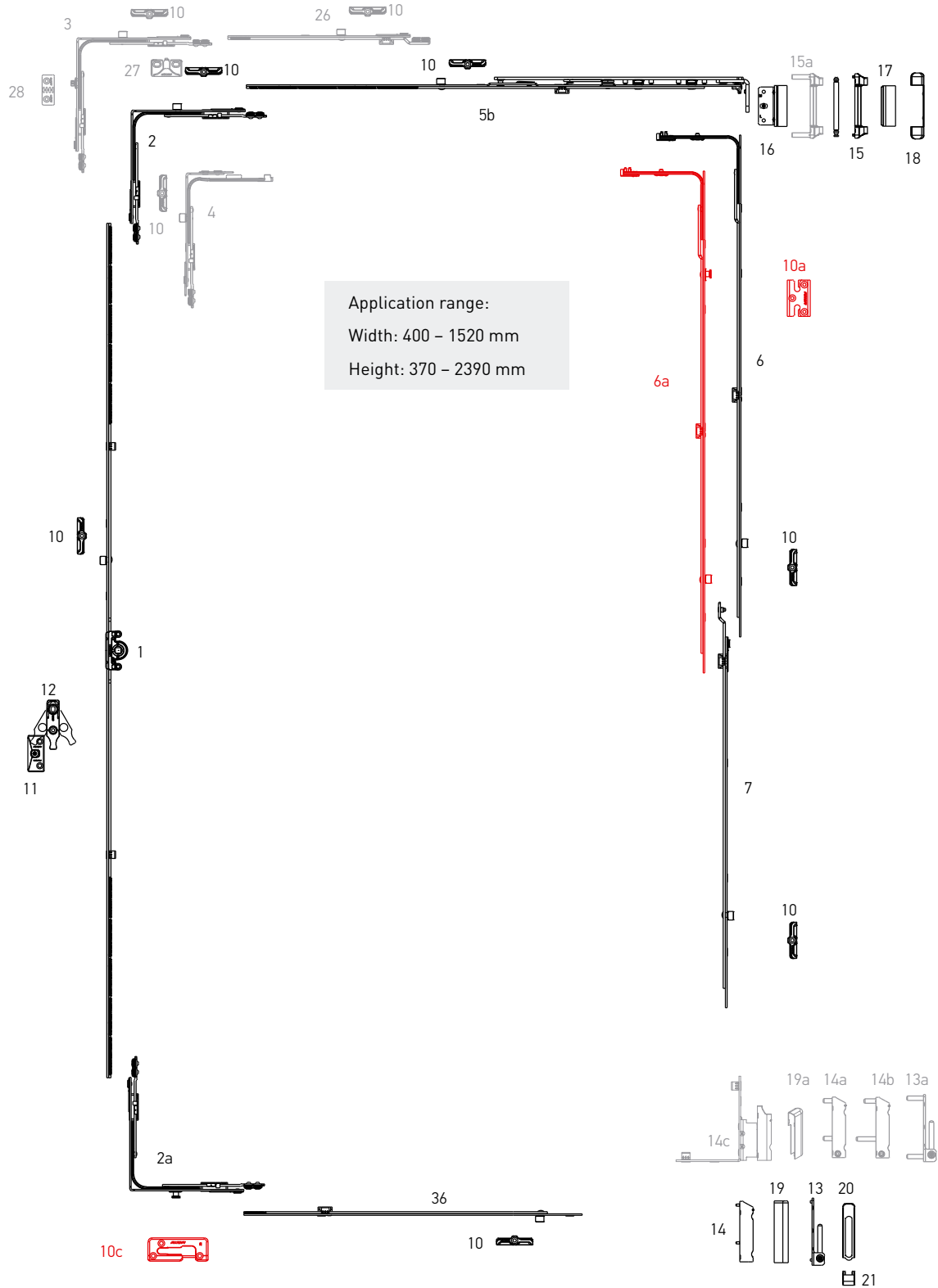
**** – for decorative covers in other colors look at p. 28



Tilt and turn set "First Tilt"

Hardware set combinations

Tilt and turn set "First Tilt"





Tilt and turn set “First Tilt”

Hardware set combinations

Nº	Description	Application range by width	Application range by height	Part No.
1	Gear variable 0, L=250, 450-550	—	450-550	K1001-02-N03
	Gear variable 1, L=450, 551-750	—	551-750	K1001-04-N03
	Gear variable 2, L=930, 751-1230, 1 ML	—	751-1230	K1001-09-N03
	Gear variable 3, L=1130, 950-1430, 1 ML	—	950-1430	K1001-11-N03
	Gear variable 4, L=1410, 1231-1710, 2 ML	—	1231-1710	K1001-14-N03
	Gear variable 5, L=1610, 1431-1910, 2 ML	—	1431-1910	K1001-16-N03
	Gear variable 6, L=2090, 1911-2390, 3 ML	—	1911-2390	K1001-21-N03
2	Corner transmission 150x150	400-1280	450-2390	K2001-00-N03
2a	Corner transmission 1 ML, Se 150x150	400-1280	450-2390	K2005-00-N03
3	Corner transmission, integrated slit (left)	400-1280	450-2390	K2004-00-L03
	Corner transmission, integrated slit (right)	400-1280	450-2390	K2004-00-R03
4	Narrow corner transmission 50x150	300-400	450-2390	K2003-00-N03
		400-600	370-550*	
5b	Stay arm 1, “First Tilt”, L=450, 400-600	400-600	—	K3014-05-N03
	Stay arm 2, “First Tilt”, L=650, 601-800	601-800	—	K3014-07-N03
	Stay arm 3, “First Tilt”, L=890, 801-1040	801-1040	—	K3014-09-N03
	Stay arm 4, “First Tilt”, L=1130, 1041-1280	1041-1280	—	K3014-11-N03
6	Middle lock L=400, 1 ML	600-1000	600-1000	K4001-04-N03
	Middle lock L=650, 1 ML	850-1250	850-1250	K4001-06-N03
	Middle lock L=720, 1 ML	920-1320	920-1320	K4001-07-N03
	Middle lock L=820, 2 ML	1251-1430	1251-1430	K4001-08-N03
	Middle lock L=1130, 2 ML	—	1251-1730	K4001-11-N03
6a	Middle lock L=400, 1MR + 1 ML	600-1000	600-1000	K4008-04-N03
	Middle lock L=650, 1MR + 1 ML	850-1250	850-1250	K4008-06-N03
	Middle lock L=820, 1MR + 1 ML	1251-1430	1251-1430	K4008-08-N03
	Middle lock L=1130, 1MR + 2 ML	—	1251-1730	K4008-11-N03
7	Middle lock extension L=480	—	850-1230	K4005-05-N03
	Middle lock extension L=680	—	1231-1430	K4005-07-N03
10	Locking plate	—	—	***
10a	Locking plate safety	—	—	***
10c	Tilt locking plate “First Tilt”, left/right	—	—	***
11	Lifting plate	—	—	***
12	Wrong operation safety device with sash lifter	—	751-2390	A7001-00-N03
13	Corner bearing 3x3	—	—	A5002-00-N03
13a	Corner bearing 6x22	—	—	A5004-00-N03
14	Drill-in corner hinge 3x5	—	—	A5003-00-N03
14a	Drill-in corner hinge with gasket pressure adjustment 6x12	—	—	A5007-00-N03
14b	Drill-in corner hinge with gasket pressure adjustment 6x16/26	—	—	A5006-00-N03
14c	Rebate corner hinge 20/9 left	—	—	A5009-09-L03
	Rebate corner hinge 20/9 right	—	—	A5009-09-R03
	Rebate corner hinge 20/13 left	—	—	A5009-13-L03
	Rebate corner hinge 20/13 right	—	—	A5009-13-R03


Tilt and turn set “First Tilt”

 Hardware set
combinations

Nº	Description	Application range by width	Application range by height	Part No.
15	Stay arm bearing 3x3	—	—	A5001-00-N03
15a	Stay arm bearing 6x24	—	—	A5005-00-N03
16	Top sash hinge	—	—	K5001-**-N03
17	Cover of top sash hinge	—	—	A7004-10-N****
18	Cover of stay arm bearing	—	—	A7005-10-N****
19	Cover of the drill-in corner hinge	—	—	A7006-10-N****
19a	Cover of rebate corner hinge, left / right	—	—	A7009-00-L/R****
20	Top cover of corner bearing	—	—	A7008-10-N****
21	Bottom cover of corner bearing	—	—	A7007-10-N****
26	Extension lock 240 mm	—	—	K4003-02-N03
27	Locking plate, integrated slit	—	—	***
28	Locking plate for adjustable integrated slit	—	—	***
36	Extension lock for corner transmission L=480 mm	—	—	K4010-00-N03

* – displaced from the center

** – according to displacement axis of sash groove (9 mm, 10 mm, 13 mm, 14 mm)

*** – look at the section “Profile-dependent elements”

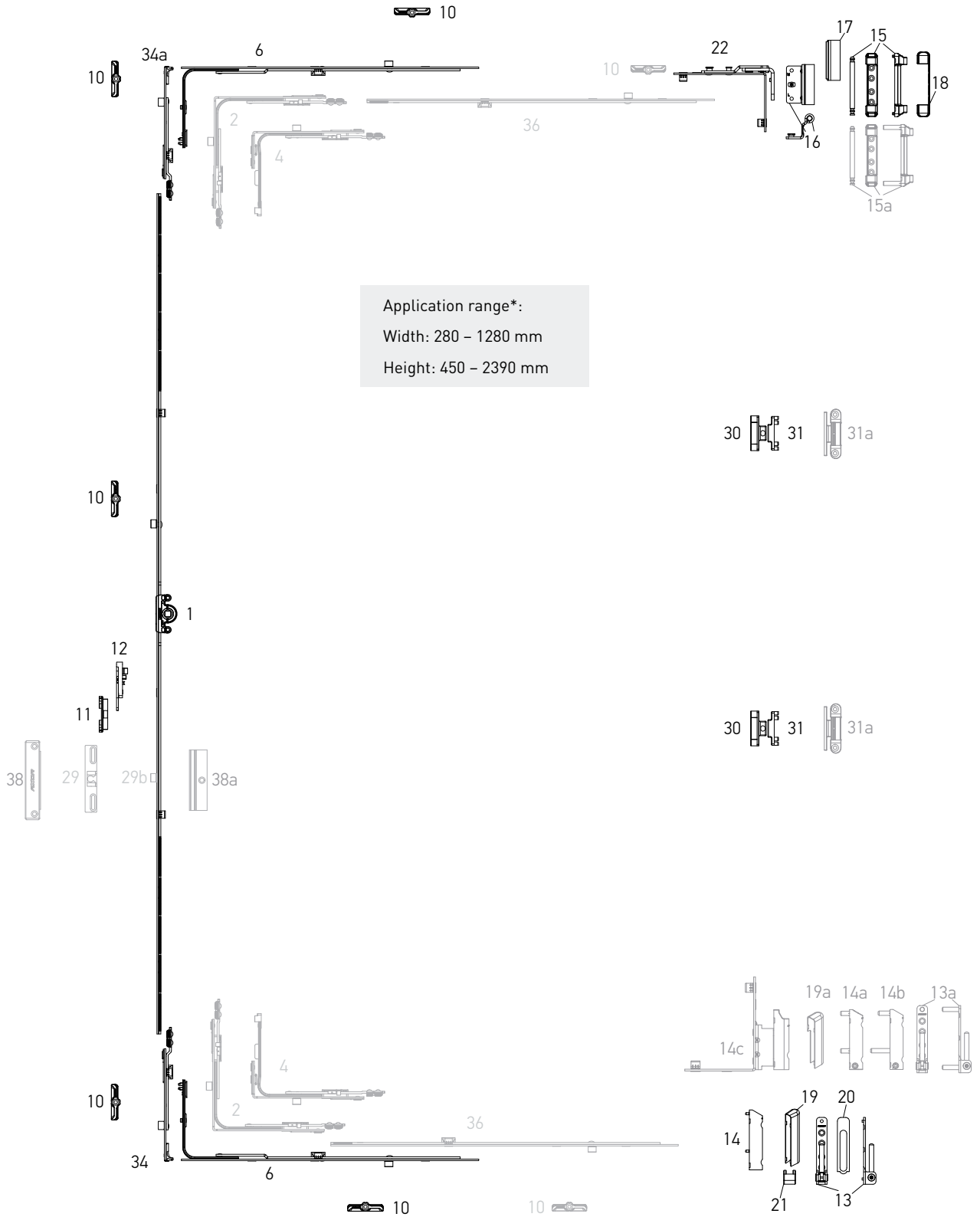
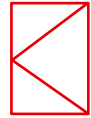
**** – for decorative covers in other colors look at p. 28



Turn set

Hardware set combinations

Turn set



* Use the shoot-bolt 34, 34a



Turn set

Hardware set combinations

Nº	Description	Application range by width	Application range by height	Part No.
1	Gear variable 0, L=250, 450-550	—	450-550	K1001-02-N03
	Gear variable 1, L=450, 551-750	—	551-750	K1001-04-N03
	Gear variable 2, L=930, 751-1230, 1 ML	—	751-1230	K1001-09-N03
	Gear variable 3, L=1130, 950-1430, 1 ML	—	950-1430	K1001-11-N03
	Gear variable 4, L=1410, 1231-1710, 2 ML	—	1231-1710	K1001-14-N03
	Gear variable 5, L=1610, 1431-1910, 2 ML	—	1431-1910	K1001-16-N03
	Gear variable 6, L=2090, 1911-2390, 3 ML	—	1911-2390	K1001-21-N03
2	Corner transmission 150x150	330-1280	450-2390	K2001-00-N03
4	Narrow corner transmission 50x150	280-1280	450-2390	K2003-00-N03
		330-520	290-350	
6	Middle lock L=400, 1 ML	600-1000	—	K4001-04-N03
	Middle lock L=650, 1 ML	850-1250	—	K4001-06-N03
10	Locking plate	—	—	***
11	Lifting plate	—	751-2390	***
12	Wrong operation safety device with sash lifter	—	751-2390	A7001-00-N03
13	Corner bearing	—	—	A5002-00-N03
13a	Corner bearing 6x22	—	—	A5004-00-N03
14	Drill-in corner hinge	—	—	A5003-00-N03
14a	Drill-in corner hinge with gasket pressure adjustment 6x12	—	—	A5007-00-N03
14b	Drill-in corner hinge with gasket pressure adjustment 6x16/26	—	—	A5006-00-N03
14c	Rebate corner hinge 20/9 left	—	—	A5009-09-L03
	Rebate corner hinge 20/9 right	—	—	A5009-09-R03
	Rebate corner hinge 20/13 left	—	—	A5009-13-L03
	Rebate corner hinge 20/13 right	—	—	A5009-13-R03
15	Stay arm bearing	—	—	A5001-00-N03
15a	Stay arm bearing 6x24	—	—	A5005-00-N03
16	Top sash hinge	—	—	K5001-**-N03
17	Cover of top sash hinge	—	—	A7004-10-N*
18	Cover of stay arm bearing	—	—	A7005-10-N*
19	Cover of the drill-in corner hinge	—	—	A7006-10-N*
19a	Cover of rebate corner hinge, left / right	—	—	A7009-00-L/R*
20	Top cover of corner bearing	—	—	A7008-10-N*
21	Bottom cover of corner bearing	—	—	A7007-10-N*
22	Turn stay arm	—	—	K5002-00-N03
29	Balcony catch	—	—	A7046-**-N03
29b	Balcony locking pin	—	—	A7031-00-N00
30	Concealed middle hinge, sash part	—	—	A7015-00-N03
31	Concealed middle hinge, frame part	—	—	A7016-**-N03
31a	Middle hinge (white)	—	—	A7045-00-N01
34	Bottom extension for turn sash 90°	—	—	K4007-00-N03
34a	Bottom extension for turn sash 180°	—	—	K4011-00-N03
36	Extension lock for corner transmission L=480 mm	—	—	K4010-00-N03
38	Magnetic balcony catch, frame part	—	—	A7053-00-N03
38a	Magnetic balcony catch, sash part	—	—	A7055-**-N03

* - for decorative covers in other colors look at p. 28

** - according to displacement axis of sash groove (9 mm, 10 mm, 13 mm, 14 mm)

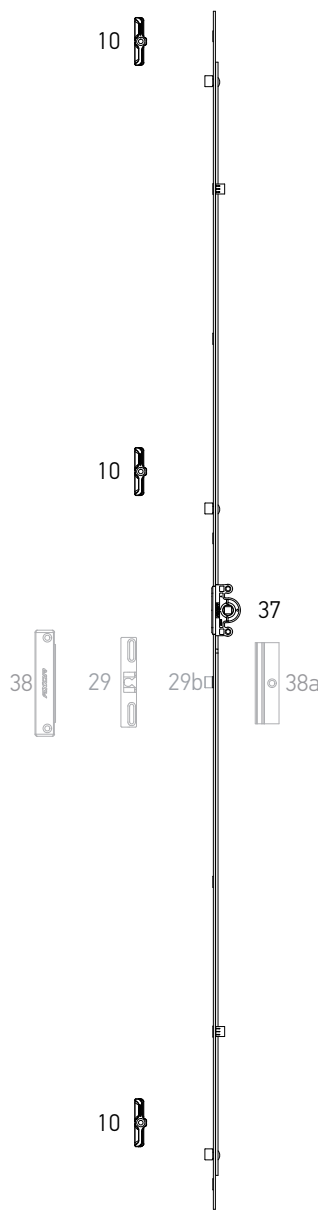
*** - look at the section "Profile-depending elements"



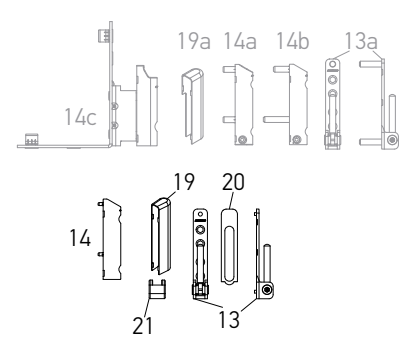
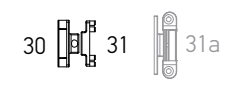
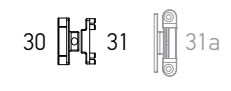
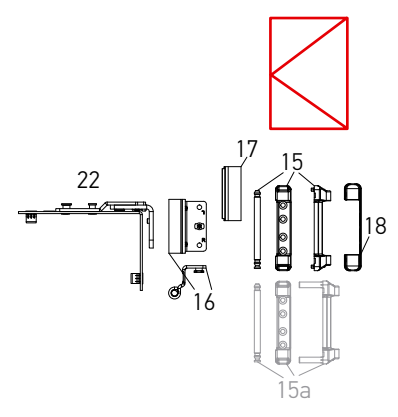
Turn set

Hardware set combinations

Turn set



Application range:
Width: 280 – 700 mm
Height: 300 – 2400 mm




Turn set

 Hardware set
combinations

Nº	Description	Application range by width	Application range by height	Part No.
10	Locking plate	—	—	***
13	Corner bearing	—	—	A5002-00-N03
13a	Corner bearing 6x22	—	—	A5004-00-N03
14	Drill-in corner hinge	—	—	A5003-00-N03
14a	Drill-in corner hinge with gasket pressure adjustment 6x12	—	—	A5007-00-N03
14b	Drill-in corner hinge with gasket pressure adjustment	—	—	A5006-00-N03
14c	Rebate corner hinge 20/9 left	—	—	A5009-09-L03
	Rebate corner hinge 20/9 right	—	—	A5009-09-R03
	Rebate corner hinge 20/13 left	—	—	A5009-13-L03
	Rebate corner hinge 20/13 right	—	—	A5009-13-R03
15	Stay arm bearing	—	—	A5001-00-N03
15a	Stay arm bearing 6x24	—	—	A5005-00-N03
16	Top sash hinge	—	—	K5001-**-N03
17	Cover of top sash hinge	—	—	A7004-10-N*
18	Cover of stay arm bearing	—	—	A7005-10-N*
19	Cover of the drill-in corner hinge	—	—	A7006-10-N*
19a	Cover of rebate corner hinge, left / right	—	—	A7009-00-L/R*
20	Top cover of corner bearing	—	—	A7008-10-N*
21	Bottom cover of corner bearing	—	—	A7007-10-N*
22	Turn stay arm	—	—	K5002-00-N03
29	Balcony catch	—	—	A7046-**-N03
29b	Balcony locking pin	—	—	A7031-00-N00
30	Concealed middle hinge, sash part	—	—	A7015-00-N03
31	Concealed middle hinge, frame part	—	—	A7016-**-N03
31a	Middle hinge (white)	—	—	A7045-00-N01
37	Gear variable 1 L=300, 300 - 500, 2ML	280-700	300-500	K1003-03-N03A
	Gear variable 2 L=400, 401 - 600, 2ML		401-600	K1003-04-N03A
	Gear variable 3 L=600, 601 - 800, 2ML		601-800	K1003-06-N03A
	Gear variable 4 L=800, 801 - 1000, 2 ML		801-1000	K1003-08-N03A
	Gear variable 5 L=1000, 1001 - 1200, 3 ML		1001-1200	K1003-10-N03A
	Gear variable 6 L=1200, 1201 - 1400, 3ML		1201-1400	K1003-12-N03A
	Gear variable 7 L=1400, 1401 - 1600, 3ML		1401-1600	K1003-14-N03A
	Gear variable 8 L=1600, 1601 - 1800, 4ML		1601-1800	K1003-16-N03A
	Gear variable 9 L=1800, 1801 - 2000, 4ML		1801-2000	K1003-18-N03A
	Gear variable 10 L=2000, 2001 - 2200, 4ML		2001-2200	K1003-20-N03A
	Gear variable 11 L=2200, 2201 - 2400, 4ML		2201-2400	K1003-22-N03A
38	Magnetic balcony catch, frame part	—	—	A7053-00-N03
38a	Magnetic balcony catch, sash part	—	—	A7055-**-N03

* – for decorative covers in other colors look at p. 28

** – according to displacement axis of sash groove (9 mm, 10 mm, 13 mm, 14 mm)

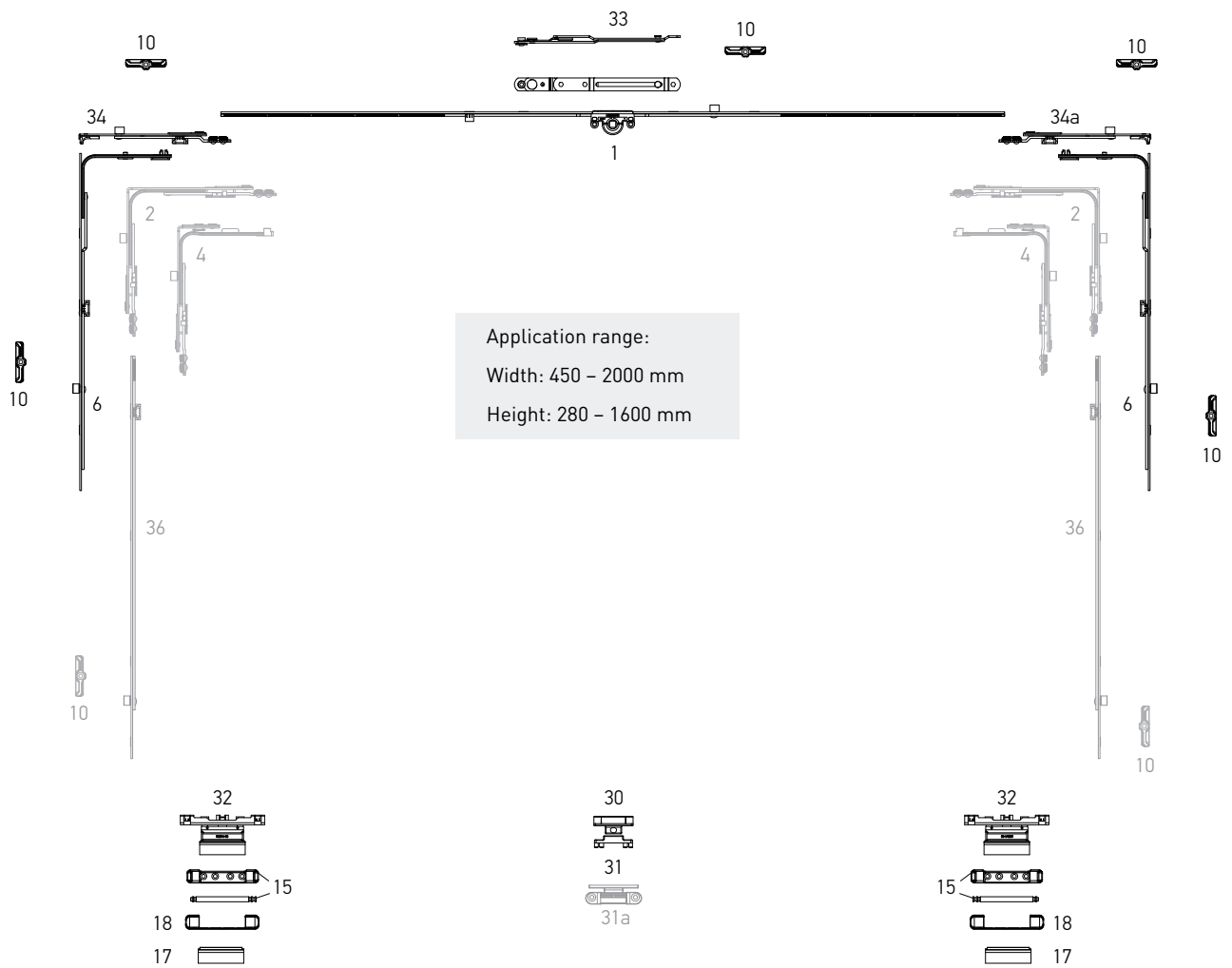
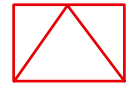
*** – look at the section "Profile-depending elements"



Tilt set

Hardware set combinations

Tilt set




Tilt set

 Hardware set
combinations

Nº	Description	Application range by width	Application range by height	Part No.
1	Gear variable 0, L=250, 450-550	—	450-550	K1001-02-N03
	Gear variable 1, L=450, 551-750	—	551-750	K1001-04-N03
	Gear variable 2, L=930, 751-1230, 1 ML	—	751-1230	K1001-09-N03
	Gear variable 3, L=1130, 950-1430, 1 ML	—	950-1430	K1001-11-N03
	Gear variable 4, L=1410, 1231-1710, 2 ML	—	1231-1710	K1001-14-N03
	Gear variable 5, L=1610, 1431-1910, 2 ML	—	1431-1910	K1001-16-N03
	Gear variable 6, L=2090, 1911-2390, 3 ML	—	1911-2390	K1001-21-N03
2	Corner transmission 150x150	330-1280	450-2390	K2001-00-N03
4	Narrow corner transmission 50x150	280-1280	450-2390	K2003-00-N03
		330-520	290-350	
6	Middle lock L=400, 1 ML	—	600-1000	K4001-04-N03
	Middle lock L=650, 1 ML	—	850-1250	K4001-06-N03
	Middle lock L=720, 1 ML	-	920-1320	K4001-07-N03
	Middle lock L=820, 1 ML	—	1251-1430	K4001-08-N03
	Middle lock L=1130, 2 ML	—	1251-1730	K4001-11-N03
10	Locking plate	—	—	***
15	Stay arm bearing	—	—	A5001-00-N03
17	Cover of top sash hinge	—	—	A7004-10-N*
18	Cover of stay arm bearing	—	—	A7005-10-N*
30	Concealed middle hinge, sash part	—	—	A7015-00-N03
31	Concealed middle hinge, frame part	—	—	A7016-**-N03
31a	Middle hinge (white)	—	—	A7045-00-N01
32	Bottom hinges for tilt sash	—	—	A7014-**-N03
33	Tilt stay arm (fixing on a gear)	—	—	A7017-00-N03
34	Bottom extension for turn sash 90°	—	—	K4007-00-N03
34a	Bottom extension for turn sash 180°	—	—	K4011-00-N03
36	Extension lock for corner transmission L=480 mm	—	—	K4010-00-N03

* – for decorative covers in other colors look at p. 28

** – according to displacement axis of sash groove (9 mm, 10 mm, 13 mm, 14 mm)

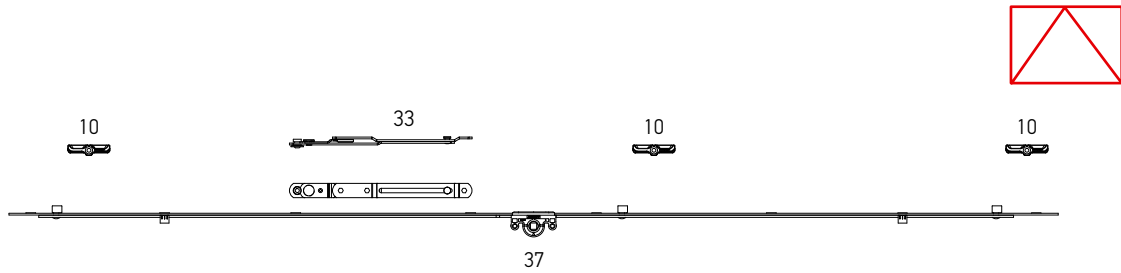
*** – look at the section "Profile-dependent elements"



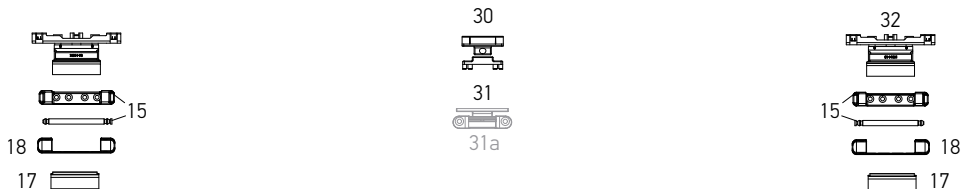
Tilt set

Hardware set combinations

Tilt set



Application range:
Width: 300 – 2000 mm
Height: 280 – 700 mm



Nº	Description	Application range by width	Application range by height	Part No.
10	Locking plate	—	—	***
15	Stay arm bearing	—	—	A5001-00-N03
17	Cover of top sash hinge	—	—	A7004-10-N*
18	Cover of stay arm bearing	—	—	A7005-10-N*
30	Concealed middle hinge, sash part	—	—	A7015-00-N03
31	Concealed middle hinge, frame part	—	—	A7016-**-N03
31a	Middle hinge (white)	—	—	A7045-00-N01
32	Bottom hinges for tilt sash	—	—	A7014-**-N03
33	Tilt stay arm (fixing on a gear)	—	—	A7017-00-N03
37	Gear variable 1 L=300, 300 - 500, 2ML	300-500	280-700	K1003-03-N03A
	Gear variable 2 L=400, 401 - 600, 2ML	401-600		K1003-04-N03A
	Gear variable 3 L=600, 601 - 800, 2ML	601-800		K1003-06-N03A
	Gear variable 4 L=800, 801 - 1000, 2 ML	801-1000		K1003-08-N03A
	Gear variable 5 L=1000, 1001 - 1200, 3 ML	1001-1200		K1003-10-N03A
	Gear variable 6 L=1200, 1201 - 1400, 3ML	1201-1400		K1003-12-N03A
	Gear variable 7 L=1400, 1401 - 1600, 3ML	1401-1600		K1003-14-N03A
	Gear variable 8 L=1600, 1601 - 1800, 4ML	1601-1800		K1003-16-N03A
	Gear variable 9 L=1800, 1801 - 2000, 4ML	1801-2000		K1003-18-N03A

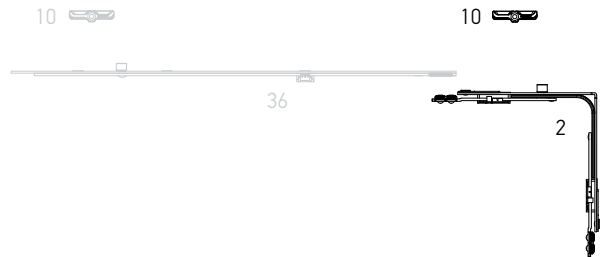
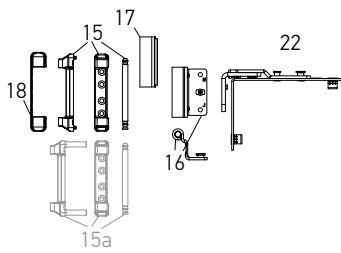
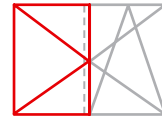
* – for decorative covers in other colors look at p. 28
 ** – according to displacement axis of sash groove (9 mm, 10 mm, 13 mm, 14 mm)
 *** – look at the section "Profile-dependent elements"



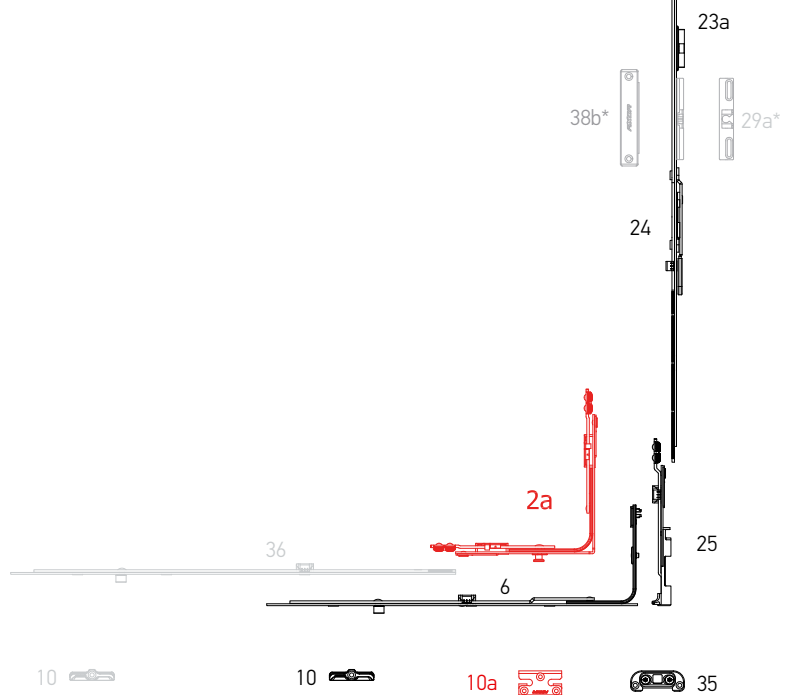
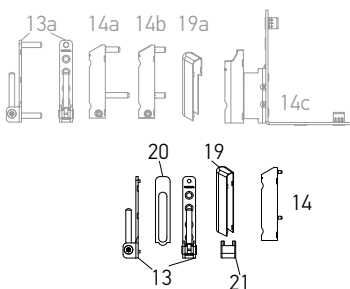
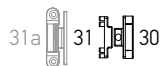
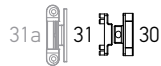
Double sash

Hardware set combinations

Secondary sash of double-sash window



Application range:
Width: 400 – 1280 mm
Height: 550 – 2390 mm

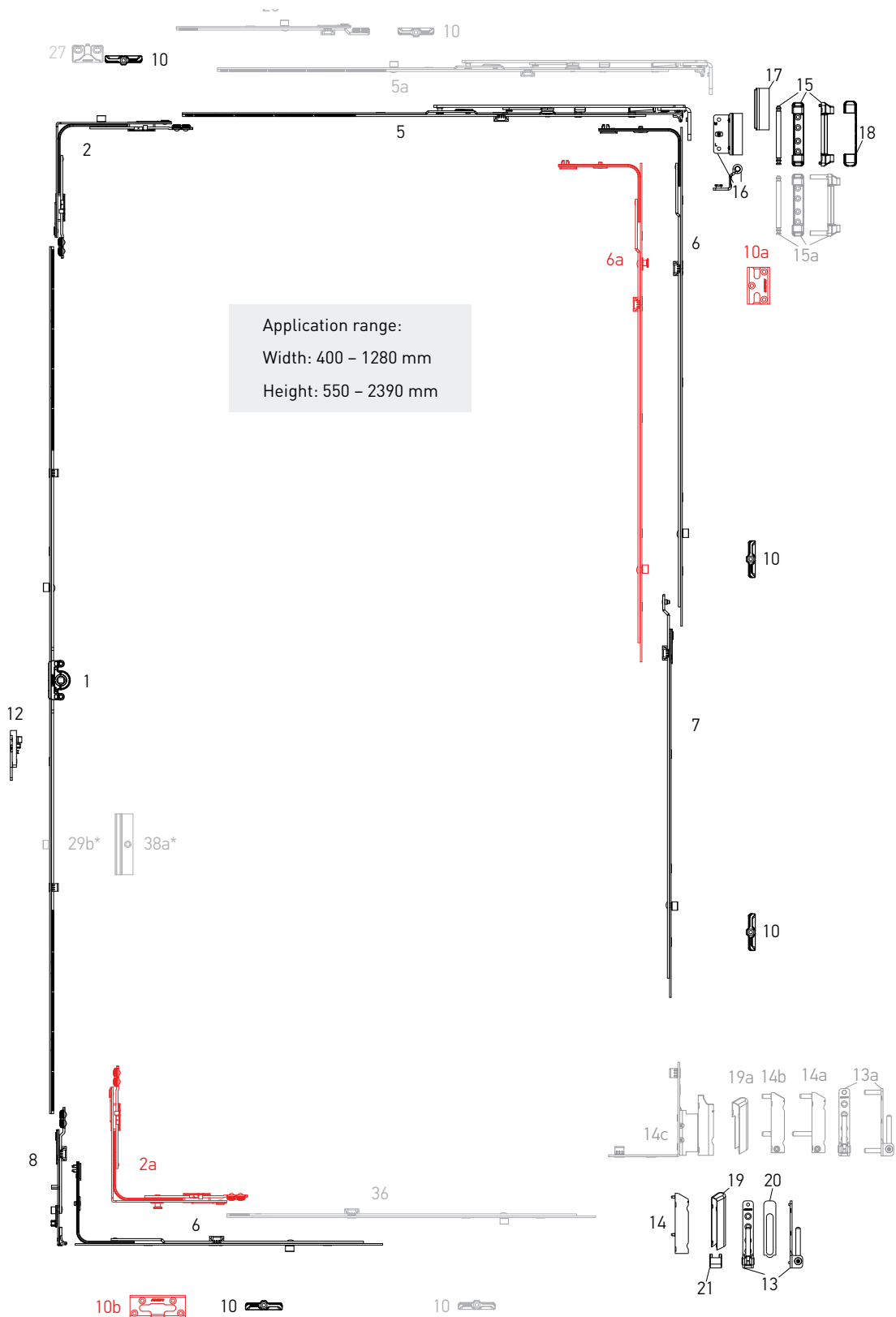
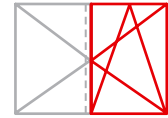




Double sash

Hardware set combinations

Main sash



* - only with gear K1002-21-N03



Double sash

Hardware set combinations

Nº	Description	Application range by width	Application range by height	Part No.
1	Gear variable 1, L=450, 551-750	—	551-750	K1001-04-N03
	Gear variable 2, L=930, 751-1230, 1 ML	—	751-1230	K1001-09-N03
	Gear variable 3, L=1130, 950-1430, 1 ML	—	950-1430	K1001-11-N03
	Gear variable 5, L=1610, 1431-1910, 2 ML	—	1431-1910	K1001-16-N03
	Gear variable 6, L=2090, 1911-2390, 3 ML	—	1911-2390	K1001-21-N03
2	Corner transmission 150x150	400-1280	450-2390	K2001-00-N03
2a	Corner transmission 1 ML, Se 150x150	400-1280	450-2390	K2005-00-N03
5	Stay arm 1, L=450, 400-600	400-600	—	K3001-05-N03
	Stay arm 2, L=650, 601-800	601-800	—	K3001-07-N03
	Stay arm 3, L=890, 801-1040	801-1040	—	K3001-09-N03
	Stay arm 4, L=1130, 1041-1280	1041-1280	—	K3001-11-N03
5a	Stay arm 2ML, L=650, 601-800, 1 ML	601-800	—	K3001-57-N03
6	Middle lock L=400, 1 ML	600-1000	600-1000	K4001-04-N03
	Middle lock L=650, 1 ML	850-1250	850-1250	K4001-06-N03
	Middle lock L=720, 1 ML	920-1320	920-1320	K4001-07-N03
	Middle lock L=820, 1 ML	1251-1430	1251-1430	K4001-08-N03
	Middle lock L=1130, 2 ML	—	1251-1730	K4001-11-N03
6a	Middle lock L=400, 1MR + 1 ML	600-1000	600-1000	K4008-04-N03
	Middle lock L=650, 1MR + 1 ML	850-1250	850-1250	K4008-06-N03
	Middle lock L=820, 1MR + 1 ML	1251-1430	1251-1430	K4008-08-N03
	Middle lock L=1130, 1MR + 2 ML	—	1251-1730	K4008-11-N03
7	Middle lock extension 480 mm	-	1710-2210	K4005-05-N03
	Middle lock extension 680 mm	-	2231-2390	K4005-07-N03
8	Bottom extension	-	450-800	K4009-00-N03
		—	801-2390	K4002-00-N03
10	Locking plate	—	—	***
10a	Locking plate safety	—	—	***
10b	Tilt locking plate safety	—	—	***
12	Wrong operation safety device with sash lifter	—	751-2390	A7001-00-N03
13	Corner bearing	—	—	A5002-00-N03
13a	Corner bearing 6x22	—	—	A5004-00-N03
14	Drill-in corner hinge	—	—	A5003-00-N03
14a	Drill-in corner hinge with gasket pressure adjustment 6x16/26	—	—	A5006-00-N03
14b	Drill-in corner hinge with gasket pressure adjustment 6x12	—	—	A5007-00-N03
14c	Rebate corner hinge 20/9 left	—	—	A5009-09-L03
	Rebate corner hinge 20/9 right	—	—	A5009-09-R03
	Rebate corner hinge 20/13 left	—	—	A5009-13-L03
	Rebate corner hinge 20/13 right	—	—	A5009-13-R03
15	Stay arm bearing	—	—	A5001-00-N03
15a	Stay arm bearing 6x24	—	—	A5005-00-N03
16	Top sash hinge	—	—	K5001-**-N03



Double sash

Hardware set
combinations

Nº	Description	Application range by width	Application range by height	Part No.
17	Cover of top sash hinge	—	—	A7004-10-N*
18	Cover of stay arm bearing	—	—	A7005-10-N*
19	Cover of the drill-in corner hinge	—	—	A7006-10-N*
19a	Cover of rebate corner hinge, left / right	—	—	A7009-00-L/R*
20	Top cover of corner bearing	—	—	A7008-10-N*
21	Bottom cover of corner bearing	—	—	A7007-10-N*
22	Turn stay arm	—	—	K5002-00-N03
23a	Lifting plate for double sash, sash part	—	—	A6001-00-N03
24	Double sash lever espagnolete variable 1 L=450, 551-750	—	551-750	K1002-04-N03
	Double sash lever espagnolete variable 2 L=650, 751-950	—	751-950	K1002-06-N03
	Double sash lever espagnolete variable 3 L=1130, 951-1430	—	951-1430	K1002-11-N03
	Double sash lever espagnolete variable 4 L=1610, 1431-1910	—	1431-1910	K1002-16-N03
	Double sash lever espagnolete variable 5 L=2090, 1911-2390	—	1911-2390	K1002-21-N03
25	Shoot bolt bottom	—	—	K4006-00-N03
26	Extension lock 240 mm	—	—	K4003-02-N03
27	Locking plate, integrated slit	—	—	***
29a	Balcony catch for double-sash gear	—	1911 - 2390	A7047-00-N03
29b	Balcony locking pin	—	—	A7031-00-N00
30	Concealed middle hinge, sash part	—	—	A7015-00-N03
31	Concealed middle hinge, frame part	—	—	A7016-**-N03
31a	Middle hinge (white)	—	—	A7045-00-N01
35	Locking plate adjustable for shoot bolt	—	—	***
36	Extension lock for corner transmission L=480 mm	—	—	K4010-00-N03
38a	Magnetic balcony catch, sash part	—	—	A7055-**-N03
38b	Magnetic balcony catch for double-sash gear, frame part	—	—	A7054-00-N03

* – for decorative covers in other colors look at p. 28

** – according to displacement axis of sash groove (9 mm, 10 mm, 13 mm, 14 mm)

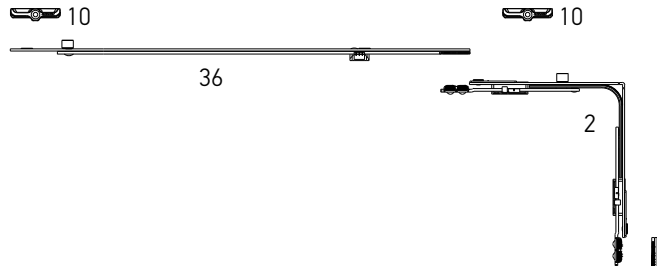
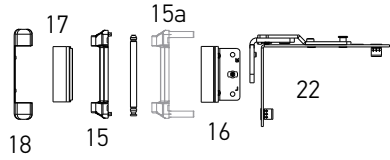
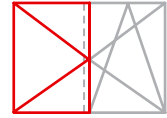
*** – look at the section "Profile-dependent elements"



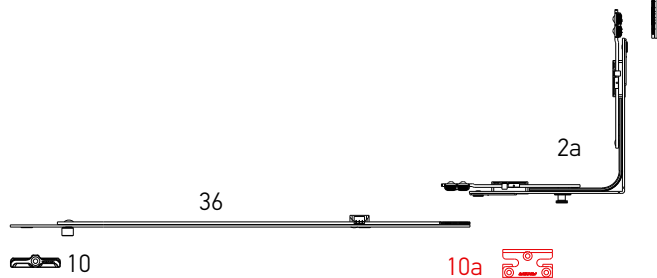
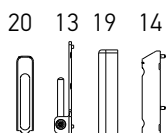
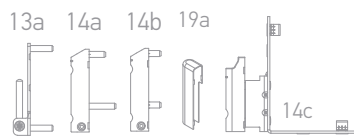
Double sash "First Tilt"

Hardware set combinations

Secondary sash of double-sash window "First Tilt"



Application range:
Width: 400 – 1280 mm
Height: 550 – 2390 mm

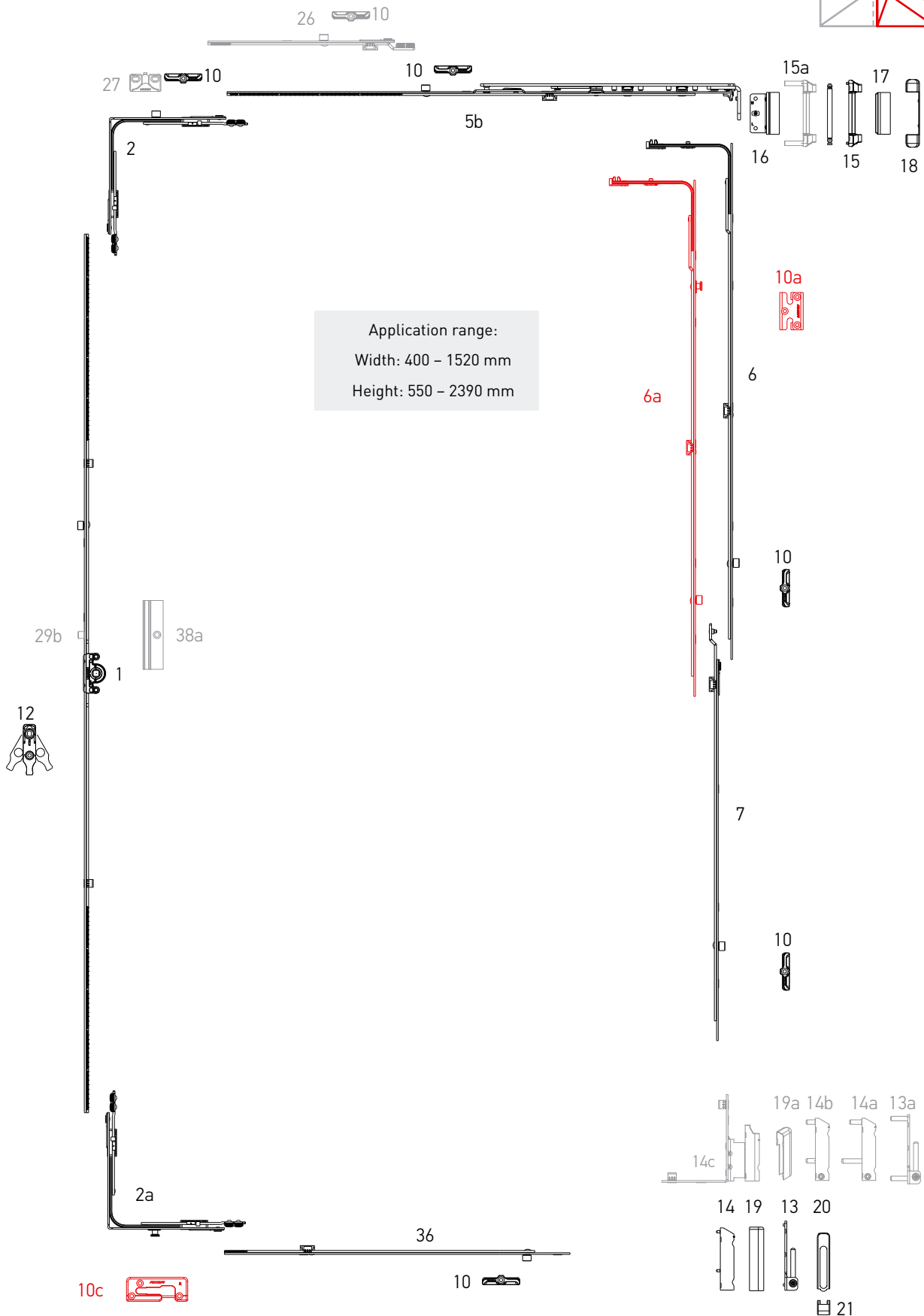
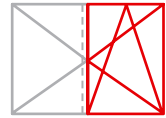




Double sash "First Tilt"

Hardware set combinations

Main sash "First Tilt"





Double sash "First Tilt"

Hardware set combinations

Nº	Description	Application range by width	Application range by height	Part No.
1	Gear variable 1, L=450, 551-750	—	551-750	K1001-04-N03
	Gear variable 2, L=930, 751-1230, 1 ML	—	751-1230	K1001-09-N03
	Gear variable 3, L=1130, 950-1430, 1 ML	—	950-1430	K1001-11-N03
	Gear variable 5, L=1610, 1431-1910, 2 ML	—	1431-1910	K1001-16-N03
	Gear variable 6, L=2090, 1911-2390, 3 ML	—	1911-2390	K1001-21-N03
2	Corner transmission 150x150	400-1280	450-2390	K2001-00-N03
2a	Corner transmission 1 ML, Se 150x150	400-1280	450-2390	K2005-00-N03
5b	Stay arm 1, "First Tilt", L=450, 400-600	400-600	—	K3014-05-N03
	Stay arm 2, "First Tilt", L=650, 601-800	601-800	—	K3014-07-N03
	Stay arm 3, "First Tilt", L=890, 801-1040	801-1040	—	K3014-09-N03
	Stay arm 4, "First Tilt", L=1130, 1041-1280	1041-1280	—	K3014-11-N03
6	Middle lock L=400, 1 ML	—	600-1000	K4001-04-N03
	Middle lock L=650, 1 ML	—	850-1250	K4001-06-N03
	Middle lock L=720, 1 ML	—	920-1320	K4001-07-N03
	Middle lock L=820, 2 ML	—	1251-1430	K4001-08-N03
	Middle lock L=1130, 2 ML	—	1251-1730	K4001-11-N03
6a	Middle lock L=400, 1MR + 1 ML	—	600-1000	K4008-04-N03
	Middle lock L=650, 1MR + 1 ML	—	850-1250	K4008-06-N03
	Middle lock L=820, 1MR + 1 ML	—	1251-1430	K4008-08-N03
	Middle lock L=1130, 1MR + 2 ML	—	1251-1730	K4008-11-N03
7	Middle lock extension L=480	—	850-1230	K4005-05-N03
	Middle lock extension L=680	—	1231-1430	K4005-07-N03
10	Locking plate	—	—	***
10a	Locking plate safety	—	—	***
10c	Tilt locking plate "First Tilt", left / right	—	—	***
12	Wrong operation safety device with sash lifter	—	751-2390	A7001-00-N03
13	Corner bearing 3x3	—	—	A5002-00-N03
13a	Corner bearing 6x22	—	—	A5004-00-N03
14	Drill-in corner hinge 3x5	—	—	A5003-00-N03
14a	Drill-in corner hinge AD 6x16/26	—	—	A5006-00-N03
14b	Drill-in corner hinge with gasket pressure adjustment 6x12	—	—	A5007-00-N03
14c	Rebate corner hinge 20/9 left	—	—	A5009-09-L03
	Rebate corner hinge 20/9 right	—	—	A5009-09-R03
	Rebate corner hinge 20/13 left	—	—	A5009-13-L03
	Rebate corner hinge 20/13 right	—	—	A5009-13-R03
15	Stay arm bearing 3x3	—	—	A5001-00-N03
15a	Stay arm bearing 6x24	—	—	A5005-00-N03
16	Top sash hinge	—	—	***
17	Cover of top sash hinge	—	—	A7004-10-N*
18	Cover of stay arm bearing	—	—	A7005-10-N*
19	Cover of the drill-in corner hinge	—	—	A7006-10-N*



Double sash “First Tilt”

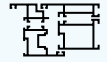
Hardware set
combinations

Nº	Description	Application range by width	Application range by height	Part No.
19a	Cover of rebate corner hinge, left / right	—	—	A7009-00-L/R*
20	Top cover of corner bearing	—	—	A7008-10-N*
21	Bottom cover of corner bearing	—	—	A7007-10-N*
22	Turn stay arm	—	—	K5002-00-N03
23a	Lifting plate for double sash, sash part	—	—	***
24	Double sash lever espagnolete variable 1 L=450, 551-750	—	551-750	K1002-04-N03
	Double sash lever espagnolete variable 2 L=650, 751-950	—	751-950	K1002-06-N03
	Double sash lever espagnolete variable 3 L=1130, 951-1430	—	951-1430	K1002-11-N03
	Double sash lever espagnolete variable 4 L=1610, 1431-1910	—	1431-1910	K1002-16-N03
	Double sash lever espagnolete variable 5 L=2090, 1911-2390	—	1911-2390	K1002-21-N03
26	Extension lock 240 mm	—	—	K4003-02-N03
27	Locking plate, integrated slit	—	—	***
29a	Balcony catch for double-sash gear	—	1911-2390	A7047-00-N03
29b	Balcony locking pin	—	—	A7031-00-N00
30	Concealed middle hinge, sash part	—	—	A7015-00-N03
31	Concealed middle hinge, frame part	—	—	A7016-**-N03
31a	Middle hinge (white)	—	—	A7045-00-N01
36	Extension lock for corner transmission L=480 mm	—	—	K4010-00-N03
38a	Magnetic balcony catch, sash part	—	—	A7055-**-N03
38b	Magnetic balcony catch for double-sash gear	—	—	A7054-13-N03

* – for decorative covers in other colors look at p. 28

** – according to displacement axis of sash groove (9 mm, 10 mm, 13 mm, 14 mm)

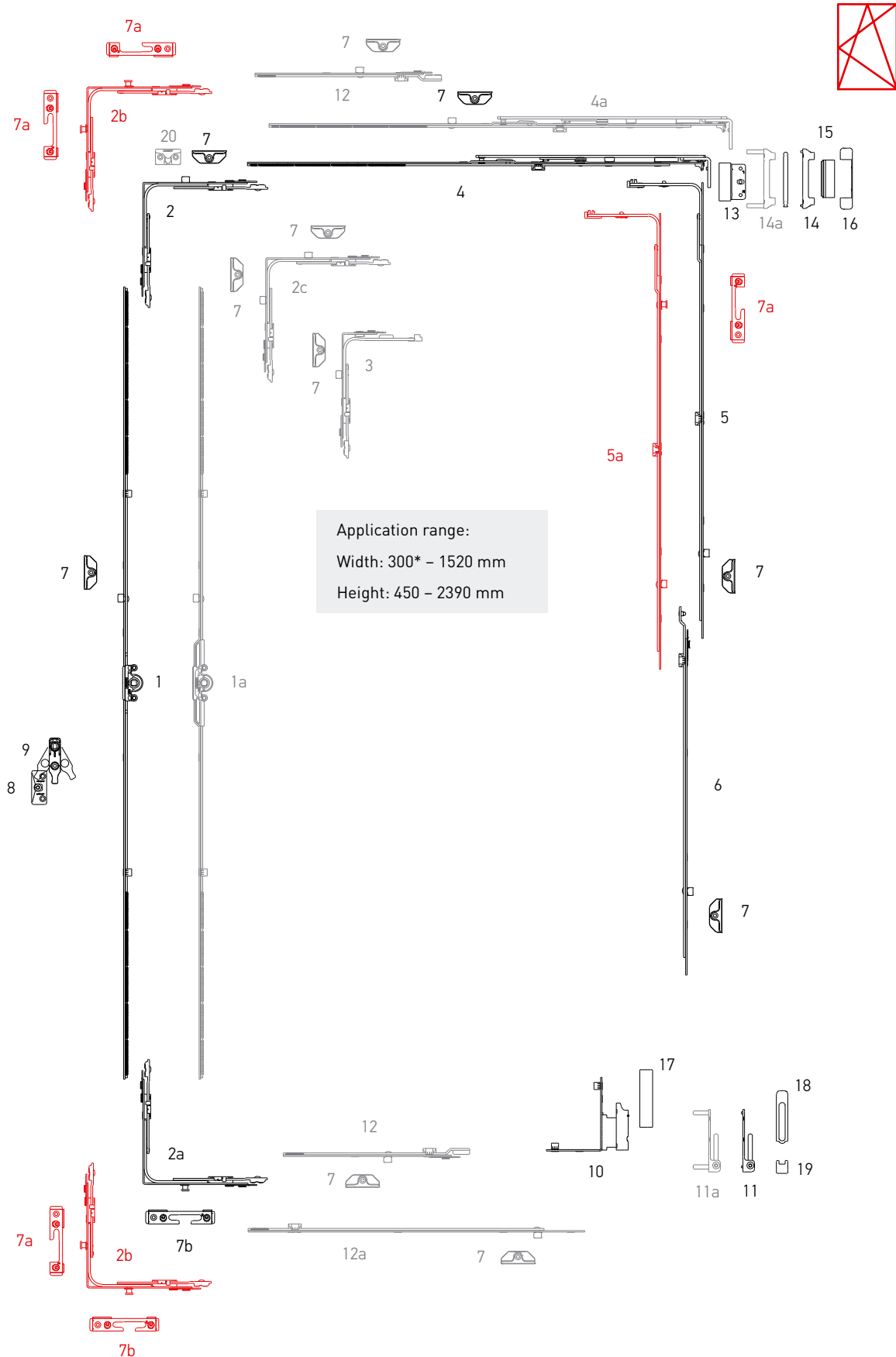
*** – look at the section “Profile-depending elements”



**Tilt and turn set
for aluminum profile, 9/13 mm**

Hardware set
combinations

K-3 system. Tilt and turn set



Application range:
Width: 300* - 1520 mm
Height: 450 - 2390 mm

* with the narrow corner transmission



Tilt and turn set for aluminum profile, 9/13 mm

Hardware set
combinations

Nº	Description	Application range by width	Application range by height	Part No.
1	Gear variable 0, L=250, 450-550	—	450-550	K1001-02-N03
	Gear variable 1, L=450, 551-750	—	551-750	K1001-04-N03
	Gear variable 2, L=930, 751-1230, 1 ML	—	751-1230	K1001-09-N03
	Gear variable 3, L=1130, 950-1430, 1 ML	—	950-1430	K1001-11-N03
	Gear variable 4, L=1410, 1231-1710, 2 ML	—	1231-1710	K1001-14-N03
	Gear variable 5, L=1610, 1431-1910, 2 ML	—	1431-1910	K1001-16-N03
	Gear variable 6, L=2090, 1911-2390, 3 ML	—	1911-2390	K1001-21-N03
1a	Gear variable 1, L=450, 551-750, backset 7,5 mm	—	551-750	K1011-04-N03
	Gear variable 2, L=930, 751-1230, 1 ML, backset 7,5 mm	—	751-1230	K1011-09-N03
	Gear variable 3, L=1130, 950-1430, 1 ML, backset 7,5 mm.	—	950-1430	K1011-11-N03
	Gear variable 4, L=1410, 1231-1710, 2 ML, backset 7,5 mm.	—	1231-1710	K1011-14-N03
	Gear variable 5, L=1610, 1431-1910, 2 ML, backset 7,5 mm	—	1431-1910	K1011-16-N03
	Gear variable 6, L=2090, 1911-2390, 3 ML, backset 7,5 mm.	—	1911-2390	K1011-21-N03
2	Corner transmission 150x150	400-1280	450-2390	K2001-00-N03
2a	Corner transmission 1 ML, Se 150x150	400-1280	450-2390	K2005-00-N03
2b	Corner transmission, 2 ML, Se, 150x150	400-1280	450-2390	K2012-00-N03
2c	Corner transmission 2 ML, 150x150	400-1280	450-2390	K2002-00-N03
3	Narrow corner transmission 50x150	300-400	450-2390	K2003-00-N03
		400-600	370-550*	
4	Stay arm 1, L=450, 400-600	400-600	—	K3001-05-N03
	Stay arm 2, L=650, 601-800	601-800	—	K3001-07-N03
	Stay arm 3, L=890, 801-1040 ML	801-1040	—	K3001-09-N03
	Stay arm 4, L=1130, 1041-1280 ML	1041-1280	—	K3001-11-N03
4a	Stay arm 2+ML, L=650, 601-800, 1 ML	601-800	—	K3001-57-N03
5	Middle lock L=400, 1 ML	600-1000	600-1000	K4001-04-N03
	Middle lock L=650, 1 ML	850-1250	850-1250	K4001-06-N03
	Middle lock L=720, 1 ML	920-1320	920-1320	K4001-07-N03
	Middle lock L=820, 2 ML	1251-1430	1251-1430	K4001-08-N03
	Middle lock L=1130, 2 ML	—	1251-1730	K4001-11-N03
5a	Middle lock L=400, 1MR + 1 ML	600-1000	600-1000	K4008-04-N03
	Middle lock L=650, 1MR + 1 ML	850-1250	850-1250	K4008-06-N03
	Middle lock L=820, 1MR + 1 ML	1251-1430	1251-1430	K4008-08-N03
	Middle lock L=1130, 1MR + 2 ML	—	1251-1730	K4008-11-N03
6	Middle lock extension 480 mm	—	1710-2210	K4005-05-N03
	Middle lock extension 680 mm	—	2211-2390	K4005-07-N03
7	Locking plate for aluminum system, 9 mm	—	—	A7070-09-N03
	Locking plate for aluminum system, 13 mm	—	—	A7165-13-N03
7a	Safety locking plate for aluminum system, 9 mm, left / right	—	—	S6118-09-L/R03
	Safety locking plate for aluminum system, 13 mm, left / right	—	—	S6133-13-L/R03
7b	Tilt safety locking plate for aluminum system, 9 mm, left / right	—	—	S6120-09-L/R03
	Tilt safety locking plate for aluminum system, 13 mm, left / right	—	—	S6134-13-L/R03

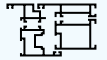


Tilt and turn set for aluminum profile, 9/13 mm

Hardware set
combinations

Nº	Description	Application range by width	Application range by height	Part No.
8	Lifting plate, 9 mm	—	—	A6028-09-N03
	Lifting plate, 13 mm	—	—	A6043-13-N03
9	Wrong operation safety device with sash lifter	—	751-2390	A7001-00-N03
10	Rebate corner hinge 20/9 left	—	—	A5009-09-L03
	Rebate corner hinge 20/9 right	—	—	A5009-09-R03
	Rebate corner hinge 18/9 left	—	—	A5010-09-L03
	Rebate corner hinge 18/9 right	—	—	A5010-09-R03
	Rebate corner hinge 20/13 left	—	—	A5009-13-L03
	Rebate corner hinge 20/13 right	—	—	A5009-13-R03
	Rebate corner hinge 18/13 left	—	—	A5010-13-L03
	Rebate corner hinge 18/13 right	—	—	A5010-13-R03
11	Corner bearing	—	—	A5002-00-N03
11a	Corner bearing 6x22	—	—	A5004-00-N03
12	Extension lock 240 mm	—	—	K4003-02-N03
12a	Extension lock for corner transmission L=480 mm	—	—	K4010-00-N03
13	Top sash hinge 12/20-9	—	—	K5001-09-N03
	Top sash hinge 12/20-13	—	—	K5001-13-N03
	Top sash hinge 12/18-9	—	—	K5006-09-N03
	Top sash hinge 12/18-13	—	—	K5006-13-N03
14	Stay arm bearing	—	—	A5001-00-N03
14a	Stay arm bearing 6x24	—	—	A5005-00-N03
15	Cover of top sash hinge	—	—	A7004-10-N*
16	Cover of stay arm bearing	—	—	A7005-10-N*
17	Cover of rebate corner hinge, left/right	—	—	A7085-00-L/R*
18	Top cover of corner bearing	—	—	A7008-10-N*
19	Bottom cover of corner bearing	—	—	A7007-10-N*
20	Locking plate, integrated slit, 9 mm	—	—	A6026-09-N03
	Locking plate, integrated slit, 13 mm	—	—	A6044-13-N03

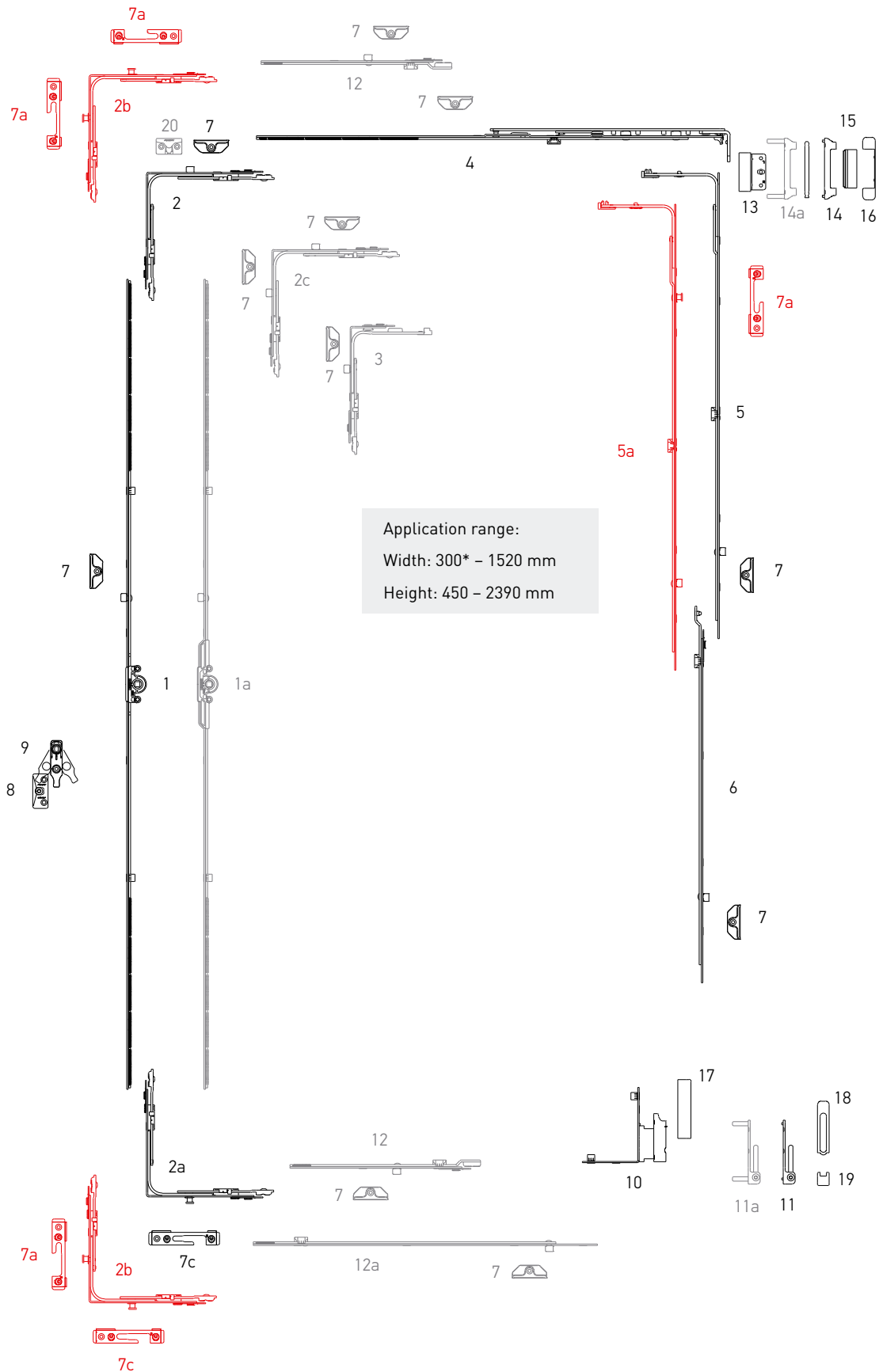
* – for decorative covers in other colors look at p. 28



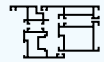
**Tilt and turn set “First Tilt”
for aluminum profile, 9/13 mm**

Hardware set
combinations

K-3 system. Tilt and turn set



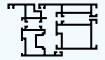
* with the narrow corner transmission



Tilt and turn set “First Tilt” for aluminum profile, 9/13 mm

Hardware set
combinations

Nº	Description	Application range by width	Application range by height	Part No.
1	Gear variable 0, L=250, 450-550	—	450-550	K1001-02-N03
	Gear variable 1, L=450, 551-750	—	551-750	K1001-04-N03
	Gear variable 2, L=930, 751-1230, 1 ML	—	751-1230	K1001-09-N03
	Gear variable 3, L=1130, 950-1430, 1 ML	—	950-1430	K1001-11-N03
	Gear variable 4, L=1410, 1231-1710, 2 ML	—	1231-1710	K1001-14-N03
	Gear variable 5, L=1610, 1431-1910, 2 ML	—	1431-1910	K1001-16-N03
	Gear variable 6, L=2090, 1911-2390, 3 ML	—	1911-2390	K1001-21-N03
1a	Gear variable 1, L=450, 551-750, backset 7,5 mm	—	551-750	K1011-04-N03
	Gear variable 2, L=930, 751-1230, 1 ML, backset 7,5 mm	—	751-1230	K1011-09-N03
	Gear variable 3, L=1130, 950-1430, 1 ML, backset 7,5 mm.	—	950-1430	K1011-11-N03
	Gear variable 4, L=1410, 1231-1710, 2 ML, backset 7,5 mm.	—	1231-1710	K1011-14-N03
	Gear variable 5, L=1610, 1431-1910, 2 ML, backset 7,5 mm	—	1431-1910	K1011-16-N03
	Gear variable 6, L=2090, 1911-2390, 3 ML, backset 7,5 mm.	—	1911-2390	K1011-21-N03
2	Corner transmission 150x150	400-1280	450-2390	K2001-00-N03
2a	Corner transmission 1 ML, Se 150x150	400-1280	450-2390	K2005-00-N03
2b	Corner transmission, 2 ML, Se, 150x150	400-1280	450-2390	K2012-00-N03
2c	Corner transmission 2 ML, 150x150	400-1280	450-2390	K2002-00-N03
3	Narrow corner transmission 50x150	300-400	450-2390	K2003-00-N03
		400-600	370-550*	
4	Stay arm 1, “First Tilt”, L=450, 400-600	400-600	—	K3014-05-N03
	Stay arm 2, “First Tilt”, L=650, 601-800	601-800	—	K3014-07-N03
	Stay arm 3, “First Tilt”, L=890, 801-1040	801-1040	—	K3014-09-N03
	Stay arm 4, “First Tilt”, L=1130, 1041-1280	1041-1280	—	K3014-11-N03
5	Middle lock L=400, 1 ML	600-1000	600-1000	K4001-04-N03
	Middle lock L=650, 1 ML	850-1250	850-1250	K4001-06-N03
	Middle lock L=720, 1 ML	920-1320	920-1320	K4001-07-N03
	Middle lock L=820, 2 ML	1251-1430	1251-1430	K4001-08-N03
	Middle lock L=1130, 2 ML	—	1251-1730	K4001-11-N03
5a	Middle lock L=400, 1MR + 1 ML	600-1000	600-1000	K4008-04-N03
	Middle lock L=650, 1MR + 1 ML	850-1250	850-1250	K4008-06-N03
	Middle lock L=820, 1MR + 1 ML	1251-1430	1251-1430	K4008-08-N03
	Middle lock L=1130, 1MR + 2 ML	—	1251-1730	K4008-11-N03
6	Middle lock extension 480 mm	—	1710-2210	K4005-05-N03
	Middle lock extension 680 mm	—	2211-2390	K4005-07-N03
7	Locking plate for aluminum system, 9 mm	—	—	A7070-09-N03
	Locking plate for aluminum system, 13 mm	—	—	A7165-13-N03
7a	Safety locking plate for aluminum system, 9 mm, left / right	—	—	S6118-09-L/R03
	Safety locking plate for aluminum system, 13 mm, left / right	—	—	S6133-13-L/R03
7c	Tilt locking plate “First Tilt” for aluminum system, 9 mm, left / right	—	—	S6119-09-L/R03
	Tilt locking plate “First Tilt” for aluminum system, 13 mm, left / right	—	—	S6135-13-L/R03

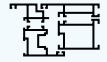


Tilt and turn set “First Tilt” for aluminum profile, 9/13 mm

Hardware set
combinations

Nº	Description	Application range by width	Application range by height	Part No.
8	Lifting plate, 9 mm	—	—	A6028-09-N03
	Lifting plate, 13 mm	—	—	A6043-13-N03
9	Wrong operation safety device with sash lifter	—	751-2390	A7001-00-N03
10	Rebate corner hinge 20/9 left	—	—	A5009-09-L03
	Rebate corner hinge 20/9 right	—	—	A5009-09-R03
	Rebate corner hinge 18/9 left	—	—	A5010-09-L03
	Rebate corner hinge 18/9 right	—	—	A5010-09-R03
	Rebate corner hinge 20/13 left	—	—	A5009-13-L03
	Rebate corner hinge 20/13 right	—	—	A5009-13-R03
	Rebate corner hinge 18/13 left	—	—	A5010-13-L03
	Rebate corner hinge 18/13 right	—	—	A5010-13-R03
11	Corner bearing	—	—	A5002-00-N03
11a	Corner bearing 6x22	—	—	A5004-00-N03
12	Extension lock 240 mm	—	—	K4003-02-N03
12a	Extension lock for corner transmission L=480 mm	—	—	K4010-00-N03
13	Top sash hinge 12/20-9	—	—	K5001-09-N03
	Top sash hinge 12/20-13	—	—	K5001-13-N03
	Top sash hinge 12/18-9	—	—	K5006-09-N03
	Top sash hinge 12/18-13	—	—	K5006-13-N03
14	Stay arm bearing	—	—	A5001-00-N03
14a	Stay arm bearing 6x24	—	—	A5005-00-N03
15	Cover of top sash hinge	—	—	A7004-10-N*
16	Cover of stay arm bearing	—	—	A7005-10-N*
17	Cover of rebate corner hinge, left/right	—	—	A7085-00-L/R*
18	Top cover of corner bearing	—	—	A7008-10-N*
19	Bottom cover of corner bearing	—	—	A7007-10-N*
20	Locking plate, integrated slit, 9 mm	—	—	A6026-09-N03
	Locking plate, integrated slit, 13 mm	—	—	A6044-13-N03

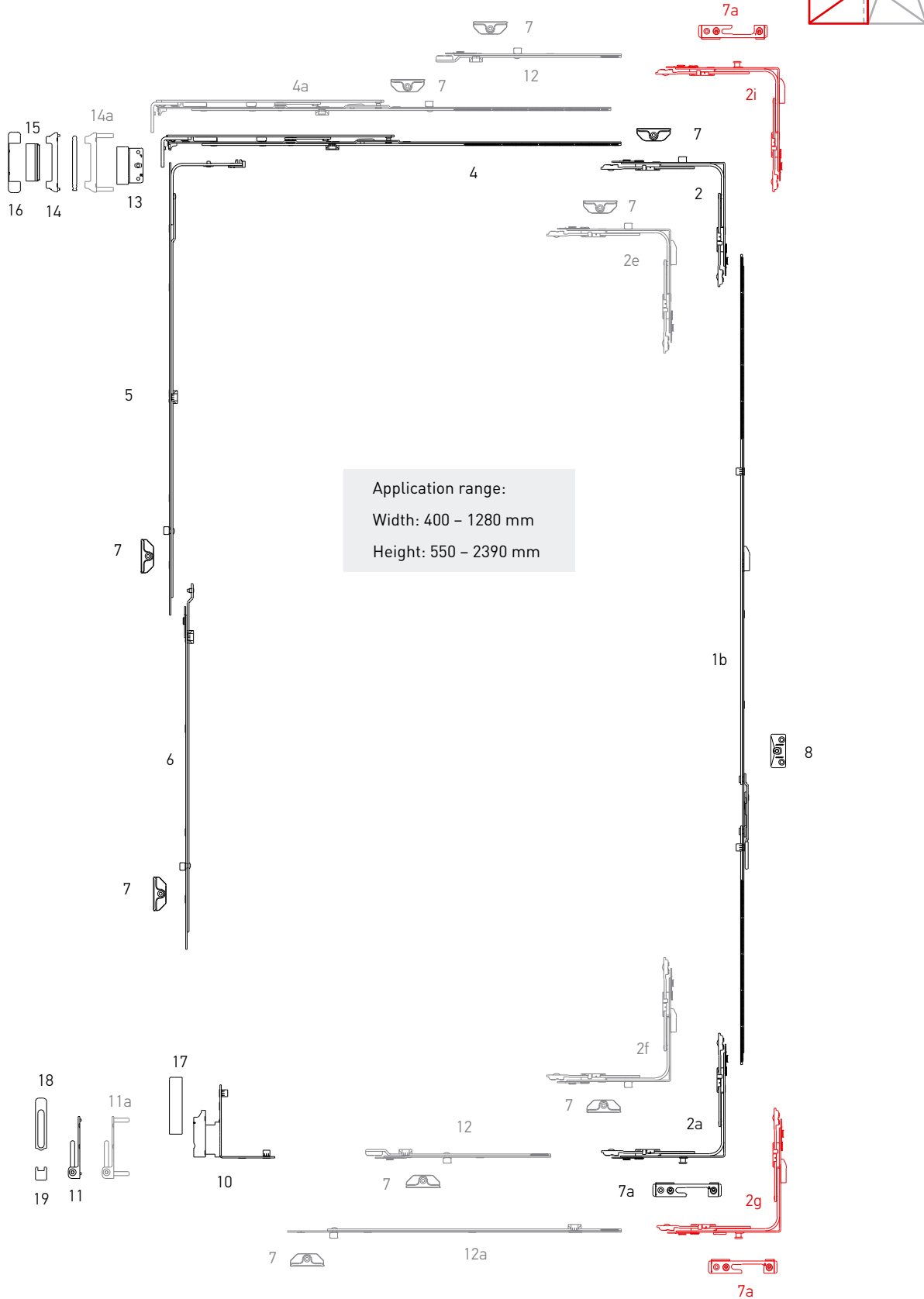
* – for decorative covers in other colors look at p. 28

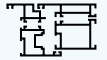


**Double sash
for aluminum profile, 9/13 mm**

Hardware set
combinations

K-3 system. Secondary sash of double-sash window

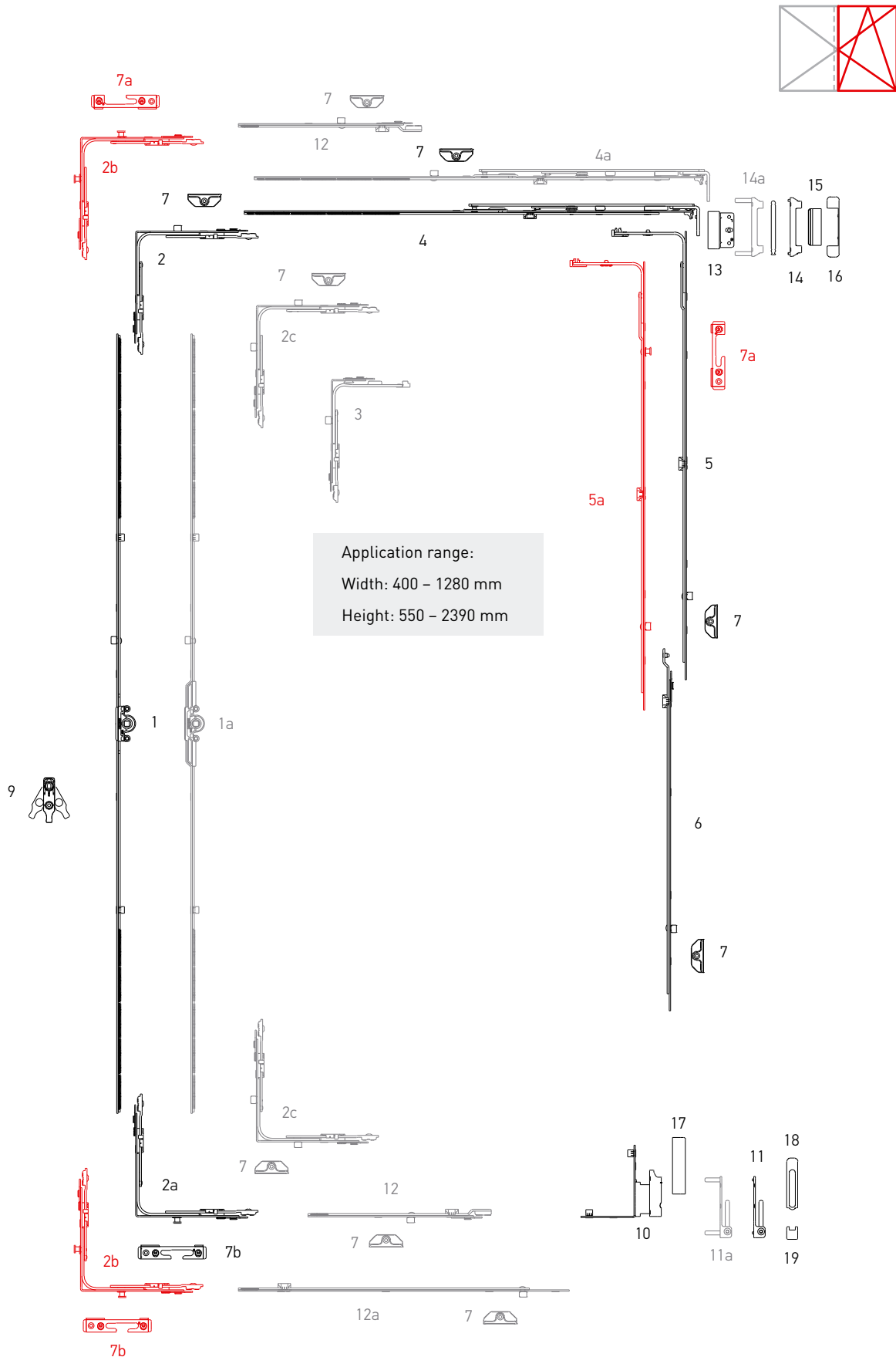




**Double sash
for aluminum profile, 9/13 mm**

Hardware set
combinations

K-3 system. Main sash

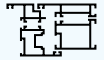




Double sash for aluminum profile, 9/13 mm

Hardware set
combinations

Nº	Description	Application range by width	Application range by height	Part No.
1	Gear variable 1, L=450, 551-750	—	551-750	K1001-04-N03
	Gear variable 2, L=930, 751-1230, 1 ML	—	751-1230	K1001-09-N03
	Gear variable 3, L=1130, 950-1430, 1 ML	—	950-1430	K1001-11-N03
	Gear variable 5, L=1610, 1431-1910, 2 ML	—	1431-1910	K1001-16-N03
	Gear variable 6, L=2090, 1911-2390, 3 ML	—	1911-2390	K1001-21-N03
1a	Gear variable 1, L=450, 551-750, backset 7,5 mm	—	551-750	K1011-04-N03
	Gear variable 2, L=930, 751-1230, 1 ML, backset 7,5 mm	—	751-1230	K1011-09-N03
	Gear variable 3, L=1130, 950-1430, 1 ML, backset 7,5 mm.	—	950-1430	K1011-11-N03
	Gear variable 4, L=1410, 1231-1710, 2 ML, backset 7,5 mm.	—	1231-1710	K1011-14-N03
	Gear variable 5, L=1610, 1431-1910, 2 ML, backset 7,5 mm	—	1431-1910	K1011-16-N03
	Gear variable 6, L=2090, 1911-2390, 3 ML, backset 7,5 mm.	—	1911-2390	K1011-21-N03
1b	Double sash lever espagnolete variable 1 L=450, 551-750	—	551-750	K1002-04-N03
	Double sash lever espagnolete variable 2 L=650, 751-950	—	751-950	K1002-06-N03
	Double sash lever espagnolete variable 3 L=1130, 951-1430	—	951-1430	K1002-11-N03
	Double sash lever espagnolete variable 4 L=1610, 1431-1910	—	1431-1910	K1002-16-N03
	Double sash lever espagnolete variable 5 L=2090, 1911-2390	—	1911-2390	K1002-21-N03
2	Corner transmission 150x150	400-1280	450-2390	K2001-00-N03
2a	Corner transmission 1 ML, Se 150x150	400-1280	450-2390	K2005-00-N03
2b	Corner transmission, 2 ML, Se, 150x150	400-1280	450-2390	K2012-00-N03
2c	Corner transmission 2 ML, 150x150	400-1280	450-2390	K2002-00-N03
2e	Corner transmission, double sash, top	400-1280	450-2390	K2007-01-N03
2f	Corner transmission, double sash, bottom	400-1280	450-2390	K2007-02-N03
2g	Double sash corner transmission, 1 ML, Se, timber, bottom	400-1280	450-2390	K2010-00-N03
2i	Corner transmission, 1 ML, Se, double sash, top	400-1280	450-2390	K2011-00-N03
3	Narrow corner transmission 50x150	300-400	450-2390	K2003-00-N03
		400-600	350-550	
4	Stay arm 1, L=450, 400-600	400-600	—	K3001-05-N03
	Stay arm 2, L=650, 601-800	601-800	—	K3001-07-N03
	Stay arm 3, L=890, 801-1040	801-1040	—	K3001-09-N03
	Stay arm 4, L=1130, 1041-1280	1041-1280	—	K3001-11-N03
4a	Stay arm 2+ML, L=650, 601-800, 1 ML	601-800	—	K3001-57-N03
5	Middle lock L=400, 1 ML	600-1000	600-1000	K4001-04-N03
	Middle lock L=650, 1 ML	850-1250	850-1250	K4001-06-N03
	Middle lock L=720, 1 ML	920-1320	920-1320	K4001-07-N03
	Middle lock L=820, 1 ML	1251-1430	1251-1430	K4001-08-N03
	Middle lock L=1130, 2 ML	—	1251-1730	K4001-11-N03
5a	Middle lock L=400, 1MR + 1 ML	600-1000	600-1000	K4008-04-N03
	Middle lock L=650, 1MR + 1 ML	850-1250	850-1250	K4008-06-N03
	Middle lock L=820, 1MR + 1 ML	1251-1430	1251-1430	K4008-08-N03
	Middle lock L=1130, 1MR + 2 ML	—	1251-1730	K4008-11-N03

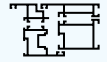


Double sash for aluminum profile, 9/13 mm

Hardware set
combinations

Nº	Description	Application range by width	Application range by height	Part No.
6	Middle lock extension 480 mm	—	1710-2210	K4005-05-N03
	Middle lock extension 680 mm	—	2231-2390	K4005-07-N03
7	Locking plate for aluminum system, 9 mm	—	—	A7070-09-N03
	Locking plate for aluminum system, 13 mm	—	—	A7165-13-N03
7a	Safety locking plate for aluminum system, 9 mm, left / right	—	—	S6118-09-L/R03
	Safety locking plate for aluminum system, 13 mm, left / right	—	—	S6133-13-L/R03
7b	Tilt safety locking plate for aluminum system, 9 mm, left / right	—	—	S6120-09-L/R03
	Tilt safety locking plate for aluminum system, 13 mm, left / right	—	—	S6134-13-L/R03
8	Lifting plate plate for double-sash window	—	751-2390	A6001-00-N03
9	Wrong operation safety device with sash lifter	—	751-2390	A7001-00-N03
10	Rebate corner hinge 20/9 left	—	—	A5009-09-L03
	Rebate corner hinge 20/9 right	—	—	A5009-09-R03
	Rebate corner hinge 18/9 left	—	—	A5010-09-L03
	Rebate corner hinge 18/9 right	—	—	A5010-09-R03
	Rebate corner hinge 20/13 left	—	—	A5009-13-L03
	Rebate corner hinge 20/13 right	—	—	A5009-13-R03
	Rebate corner hinge 18/13 left	—	—	A5010-13-L03
	Rebate corner hinge 18/13 right	—	—	A5010-13-R03
11	Corner bearing	—	—	A5002-00-N03
11a	Corner bearing 6x22	—	—	A5004-00-N03
12	Extension lock 240 mm	—	—	K4003-02-N03
12a	Extension lock for corner transmission L=480 mm	—	—	K4010-00-N03
13	Top sash hinge 12/20-9	—	—	K5001-09-N03
	Top sash hinge 12/20-13	—	—	K5001-13-N03
	Top sash hinge 12/18-9	—	—	K5006-09-N03
	Top sash hinge 12/18-13	—	—	K5006-13-N03
14	Stay arm bearing	—	—	A5001-00-N03
14a	Stay arm bearing 6x24	—	—	A5005-00-N03
15	Cover of top sash hinge	—	—	A7004-10-N*
16	Cover of stay arm bearing	—	—	A7005-10-N*
17	Cover of rebate corner hinge, left/right	—	—	A7085-00-L/R*
18	Top cover of corner bearing	—	—	A7008-10-N*
19	Bottom cover of corner bearing	—	—	A7007-10-N*

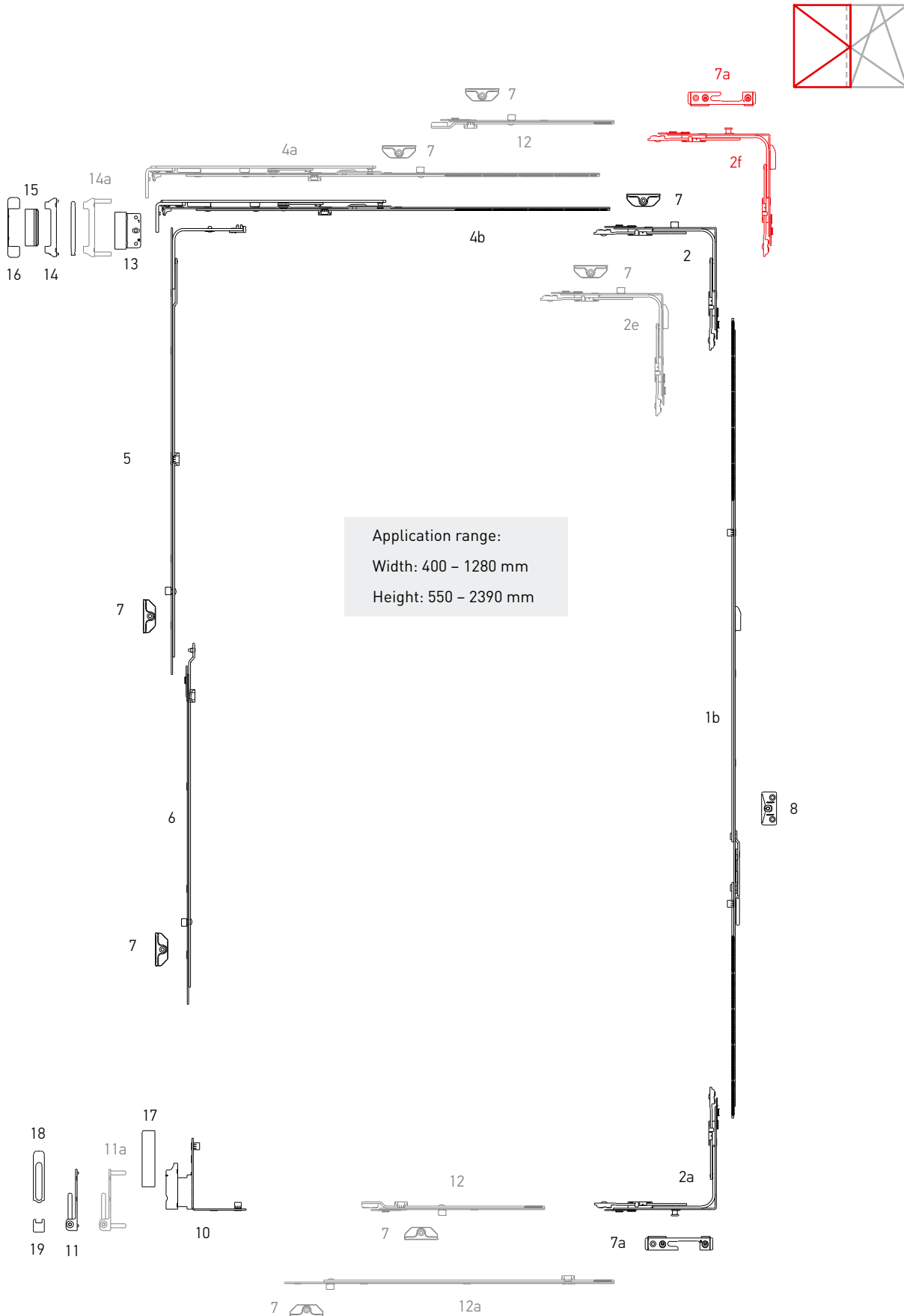
* – for decorative covers in other colors look at p. 28

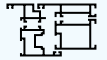


**Double sash "First Tilt"
for aluminum profile, 9/13 mm**

Hardware set
combinations

K-3 system. Secondary sash of double-sash window

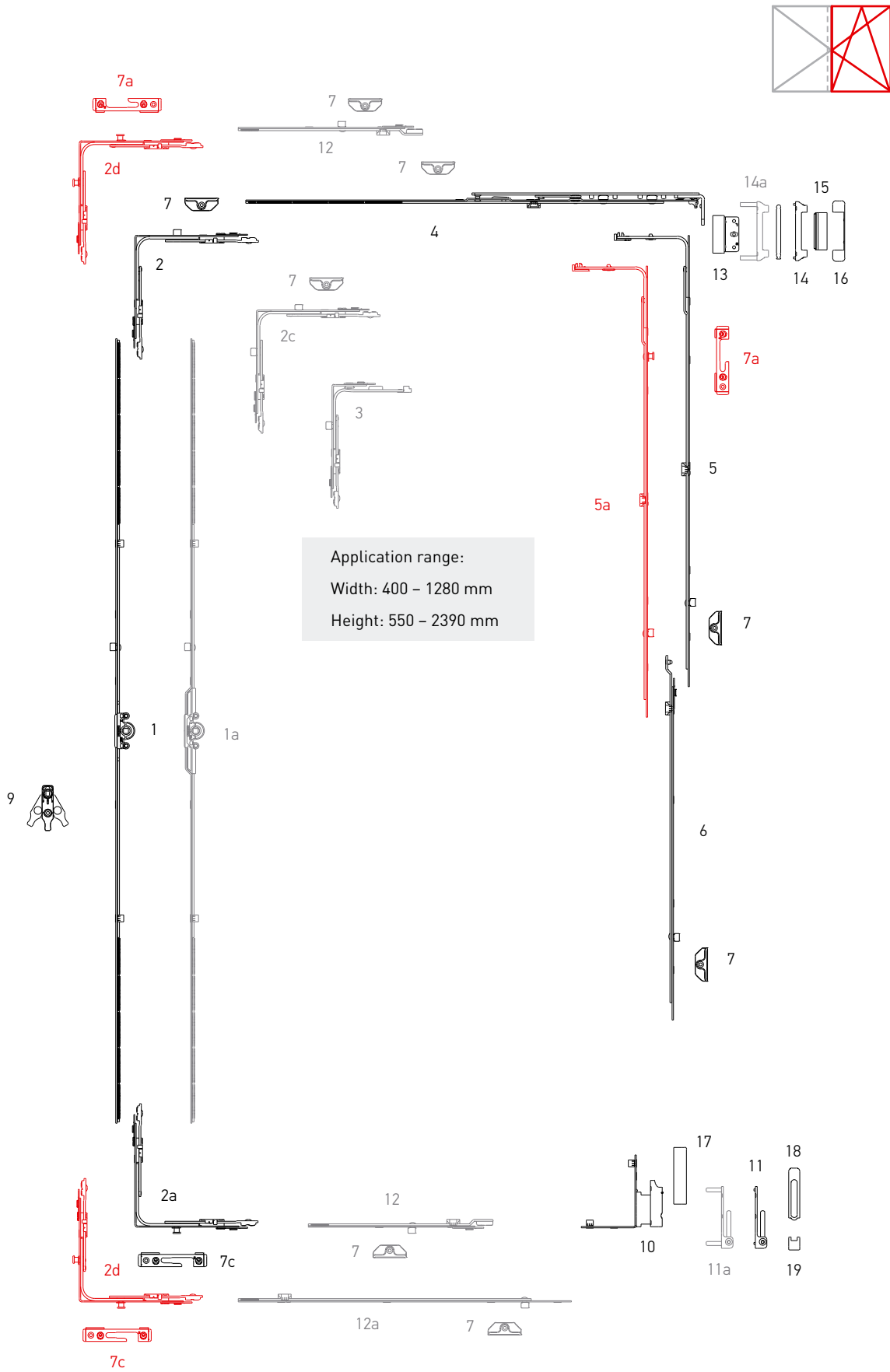




**Double sash "First Tilt"
for aluminum profile, 9/13 mm**

Hardware set
combinations

K-3 system. Main sash

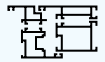




Double sash "First Tilt" for aluminum profile, 9/13 mm

Hardware set
combinations

Nº	Description	Application range by width	Application range by height	Part No.
1	Gear variable 1, L=450, 551-750	—	551-750	K1001-04-N03
	Gear variable 2, L=930, 751-1230, 1 ML	—	751-1230	K1001-09-N03
	Gear variable 3, L=1130, 950-1430, 1 ML	—	950-1430	K1001-11-N03
	Gear variable 5, L=1610, 1431-1910, 2 ML	—	1431-1910	K1001-16-N03
	Gear variable 6, L=2090, 1911-2390, 3 ML	—	1911-2390	K1001-21-N03
1a	Gear variable 1, L=450, 551-750, backset 7,5 mm	—	551-750	K1011-04-N03
	Gear variable 2, L=930, 751-1230, 1 ML, backset 7,5 mm	—	751-1230	K1011-09-N03
	Gear variable 3, L=1130, 950-1430, 1 ML, backset 7,5 mm.	—	950-1430	K1011-11-N03
	Gear variable 4, L=1410, 1231-1710, 2 ML, backset 7,5 mm.	—	1231-1710	K1011-14-N03
	Gear variable 5, L=1610, 1431-1910, 2 ML, backset 7,5 mm	—	1431-1910	K1011-16-N03
	Gear variable 6, L=2090, 1911-2390, 3 ML, backset 7,5 mm.	—	1911-2390	K1011-21-N03
1b	Double sash lever espagnolete variable 1 L=450, 551-750	—	551-750	K1002-04-N03
	Double sash lever espagnolete variable 2 L=650, 751-950	—	751-950	K1002-06-N03
	Double sash lever espagnolete variable 3 L=1130, 951-1430	—	951-1430	K1002-11-N03
	Double sash lever espagnolete variable 4 L=1610, 1431-1910	—	1431-1910	K1002-16-N03
	Double sash lever espagnolete variable 5 L=2090, 1911-2390	—	1911-2390	K1002-21-N03
2	Corner transmission 150x150	400-1280	450-2390	K2001-00-N03
2a	Corner transmission for timber	400-1280	450-2390	K2008-00-N03
2c	Corner transmission 2 ML, 150x150	400-1280	450-2390	K2002-00-N03
2d	Corner transmission, 2 ML, Se, 150x150	400-1280	450-2390	K2012-00-N03
2e	Corner transmission, double sash, top	400-1280	450-2390	K2007-01-N03
2f	Corner transmission, 1 ML, Se, double sash, top	400-1280	450-2390	K2011-00-N03
3	Narrow corner transmission 50x150	300-480	450-2390	K2003-00-N03
		400-680	350-550	
4	Stay arm 1, "First Tilt", L=450, 400-600	400-600	—	K3014-05-N03
	Stay arm 2, "First Tilt", L=650, 601-800	601-800	—	K3014-07-N03
	Stay arm 3, "First Tilt", L=890, 801-1040	801-1040	—	K3014-09-N03
	Stay arm 4, "First Tilt", L=1130, 1041-1280	1041-1280	—	K3014-11-N03
4a	Stay arm 2+ML, L=650, 601-800, 1 ML	601-800	—	K3001-57-N03
4b	Stay arm 1, L=450, 400-600	400-600	—	K3001-05-N03
	Stay arm 2, L=650, 601-800	601-800	—	K3001-07-N03
	Stay arm 3, L=890, 801-1040	801-1040	—	K3001-09-N03
	Stay arm 4, L=1130, 1041-1280	1041-1280	—	K3001-11-N03
5	Middle lock L=400, 1 ML	600-1000	600-1000	K4001-04-N03
	Middle lock L=650, 1 ML	850-1250	850-1250	K4001-06-N03
	Middle lock L=720, 1 ML	920-1320	920-1320	K4001-07-N03
	Middle lock L=820, 1 ML	1251-1430	1251-1430	K4001-08-N03
	Middle lock L=1130, 2 ML	—	1251-1730	K4001-11-N03



Double sash "First Tilt" for aluminum profile, 9/13 mm

Hardware set
combinations

Nº	Description	Application range by width	Application range by height	Part No.
5a	Middle lock L=400, 1MR + 1 ML	600-1000	600-1000	K4008-04-N03
	Middle lock L=650, 1MR + 1 ML	850-1250	850-1250	K4008-06-N03
	Middle lock L=820, 1MR + 1 ML	1251-1430	1251-1430	K4008-08-N03
	Middle lock L=1130, 1MR + 2 ML	—	1251-1730	K4008-11-N03
6	Middle lock extension 480 mm	—	1710-2210	K4005-05-N03
	Middle lock extension 680 mm	—	2231-2390	K4005-07-N03
7	Locking plate for aluminum system, 9 mm	—	—	A7070-09-N03
	Locking plate for aluminum system, 13 mm	—	—	A7165-13-N03
7a	Safety locking plate for aluminum system, 9 mm, left / right	—	—	S6118-09-L/R03
	Safety locking plate for aluminum system, 13 mm, left / right	—	—	S6133-13-L/R03
7c	Tilt locking plate "First Tilt" for aluminum system, 9 mm, left / right	—	—	S6119-09-L/R03
	Tilt locking plate "First Tilt" for aluminum system, 13 mm, left / right	—	—	S6135-13-L/R03
8	Lifting plate plate for double-sash window	—	751-2390	A6001-00-N03
9	Wrong operation safety device with sash lifter	—	751-2390	A7001-00-N03
10	Rebate corner hinge 20/9 left	—	—	A5009-09-L03
	Rebate corner hinge 20/9 right	—	—	A5009-09-R03
	Rebate corner hinge 18/9 left	—	—	A5010-09-L03
	Rebate corner hinge 18/9 right	—	—	A5010-09-R03
	Rebate corner hinge 20/13 left	—	—	A5009-13-L03
	Rebate corner hinge 20/13 right	—	—	A5009-13-R03
	Rebate corner hinge 18/13 left	—	—	A5010-13-L03
	Rebate corner hinge 18/13 right	—	—	A5010-13-R03
11	Corner bearing	—	—	A5002-00-N03
11a	Corner bearing 6x22	—	—	A5004-00-N03
12	Extension lock 240 mm	—	—	K4003-02-N03
12a	Extension lock for corner transmission L=480 mm	—	—	K4010-00-N03
13	Top sash hinge 12/20-9	—	—	K5001-09-N03
	Top sash hinge 12/20-13	—	—	K5001-13-N03
	Top sash hinge 12/18-9	—	—	K5006-09-N03
	Top sash hinge 12/18-13	—	—	K5006-13-N03
14	Stay arm bearing	—	—	A5001-00-N03
14a	Stay arm bearing 6x24	—	—	A5005-00-N03
15	Cover of top sash hinge	—	—	A7004-10-N*
16	Cover of stay arm bearing	—	—	A7005-10-N*
17	Cover of rebate corner hinge, left/right	—	—	A7085-00-L/R*
18	Top cover of corner bearing	—	—	A7008-10-N*
19	Bottom cover of corner bearing	—	—	A7007-10-N*

* – for decorative covers in other colors look at p. 28

AXORTM

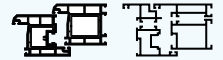
KOMFORT LINE K-3

Tools

Installation

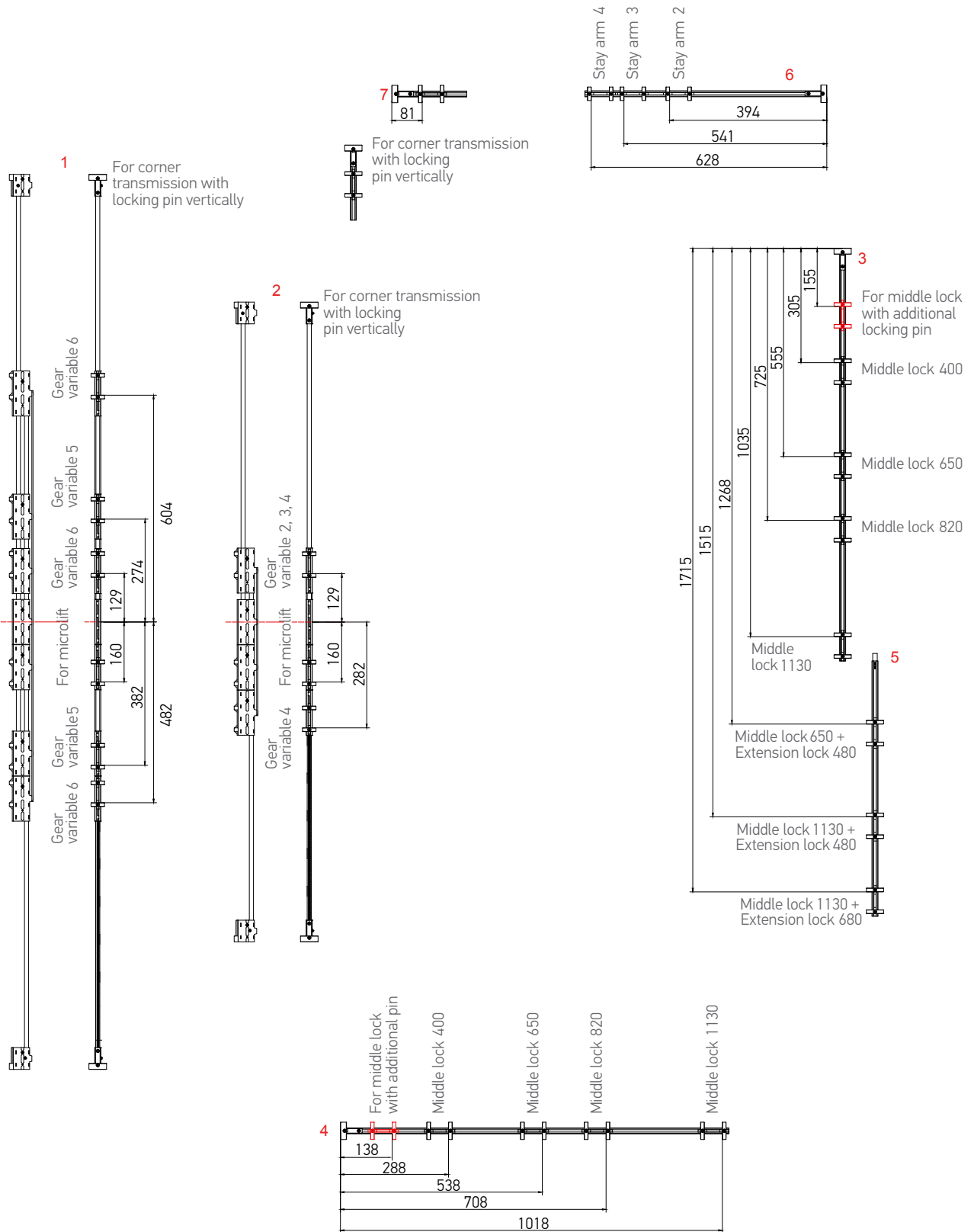
Adjustments

AXOR



Information for an adjustment of jigs

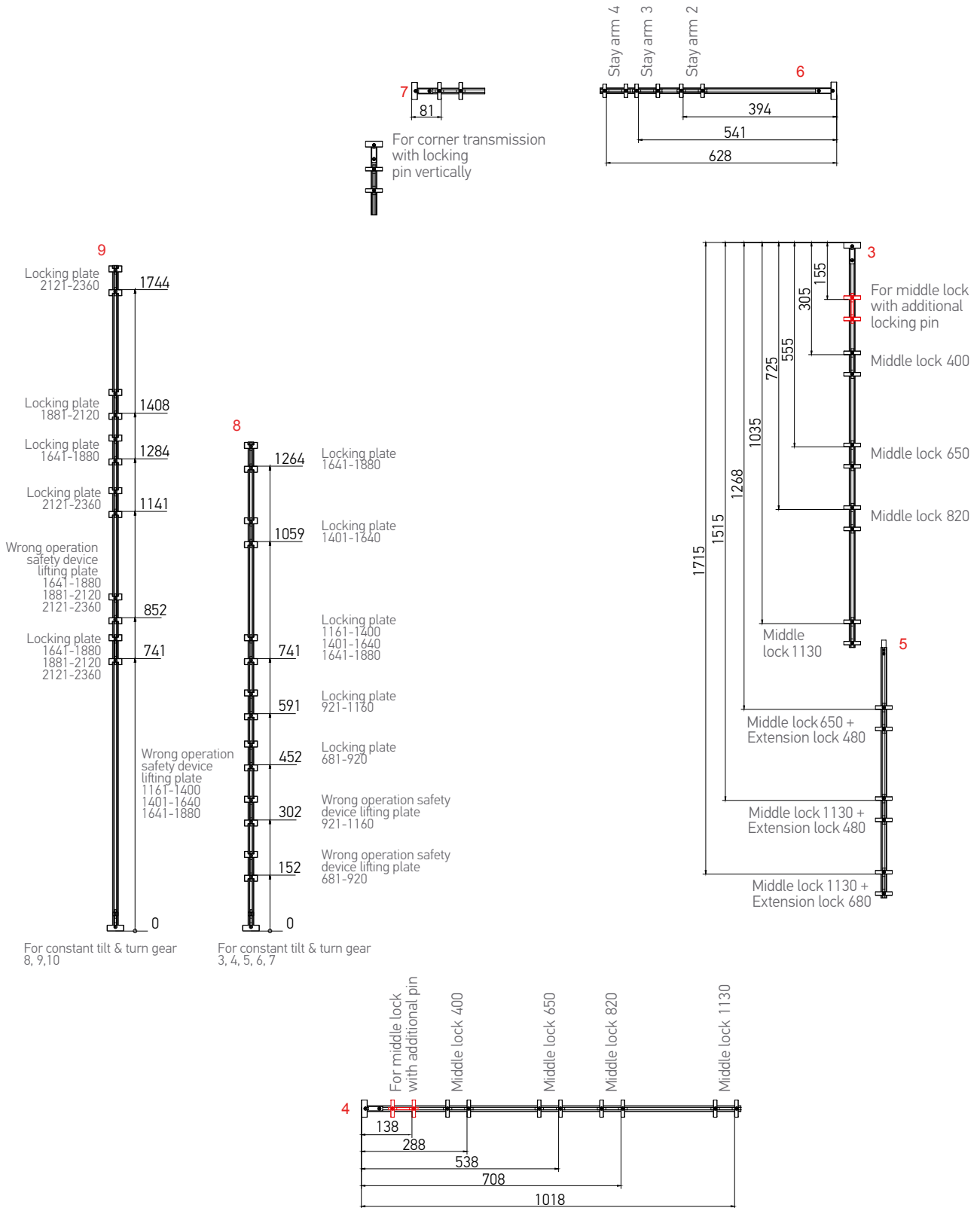
Installation
Tools

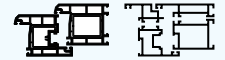




Information for an adjustment of jigs constant gear

Installation Tools

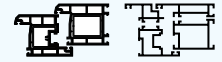




Locking plate jigs

Installation
Tools

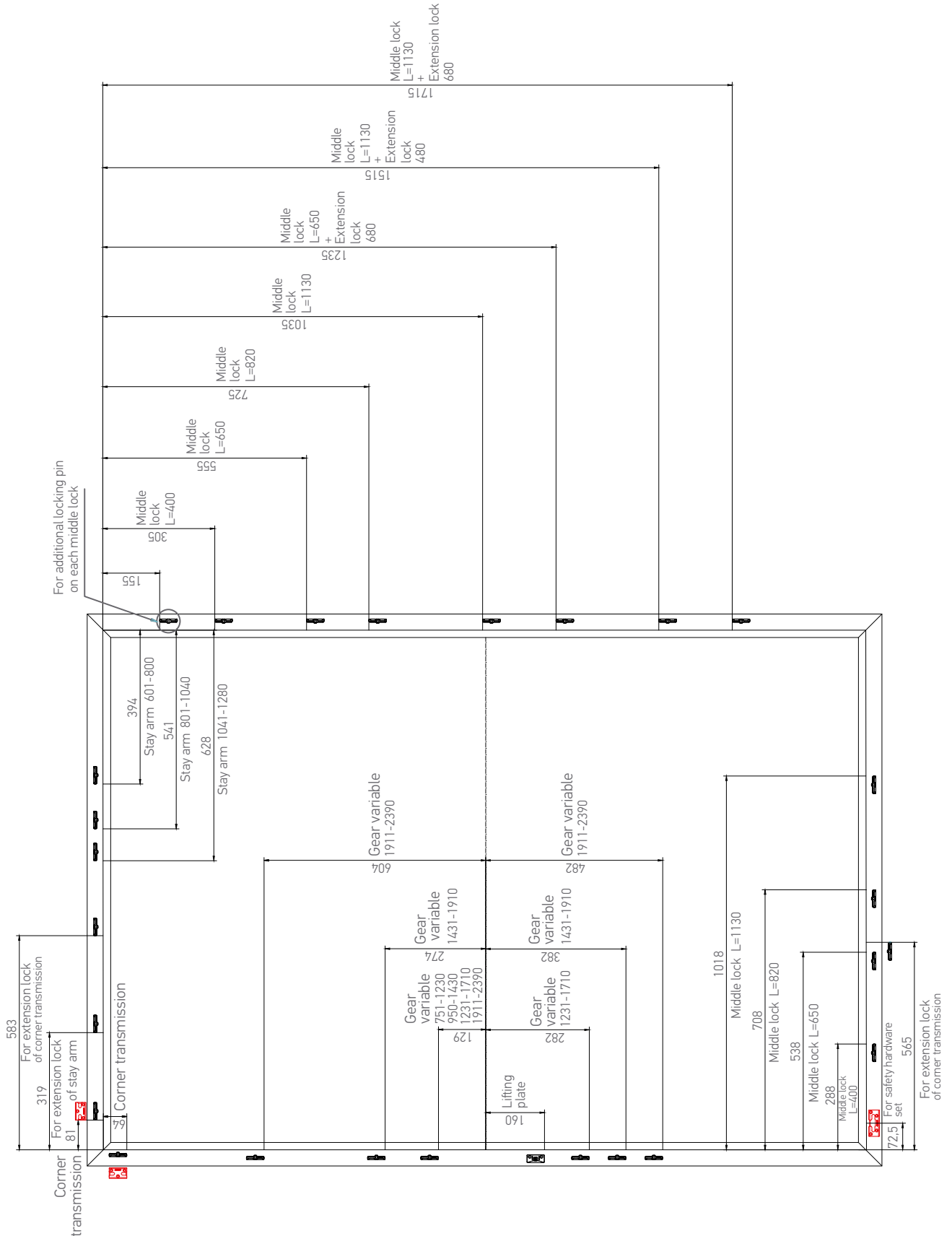
Nº	Description	Designation	Part No.
1	Telescopic jig GV 2	For tilt-and-turn gear 5, 6. The handle is positioned in center.	A7024-02-N00
2	Telescopic jig GV 1	For tilt-and-turn gear 2, 3, 4. The handle is positioned in center.	A7024-01-N00
3	Linear jig MLV	For all vertical middle locks.	A7026-00-N00
4	Linear jig MLH	For all horizontal middle locks.	A7028-00-N00
5	Linear jig MLEV	For all vertical middle lock extensions.	A7027-00-N00
6	Linear jig SA	For stay-arms of all sizes.	A7032-00-N00
7	Linear jig CTCP 1	For corner transmission with vertical locking pin.	A7025-00-N00
8	Linear jig CG	For constant tilt & turn gear 3, 4, 5, 6, 7	A7065-01-N00
9	Linear jig CG	For constant tilt & turn gear 8, 9, 10	A7065-02-N00

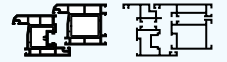


Installation of frame hardware components

Installation
Tools

Installation of frame hardware components

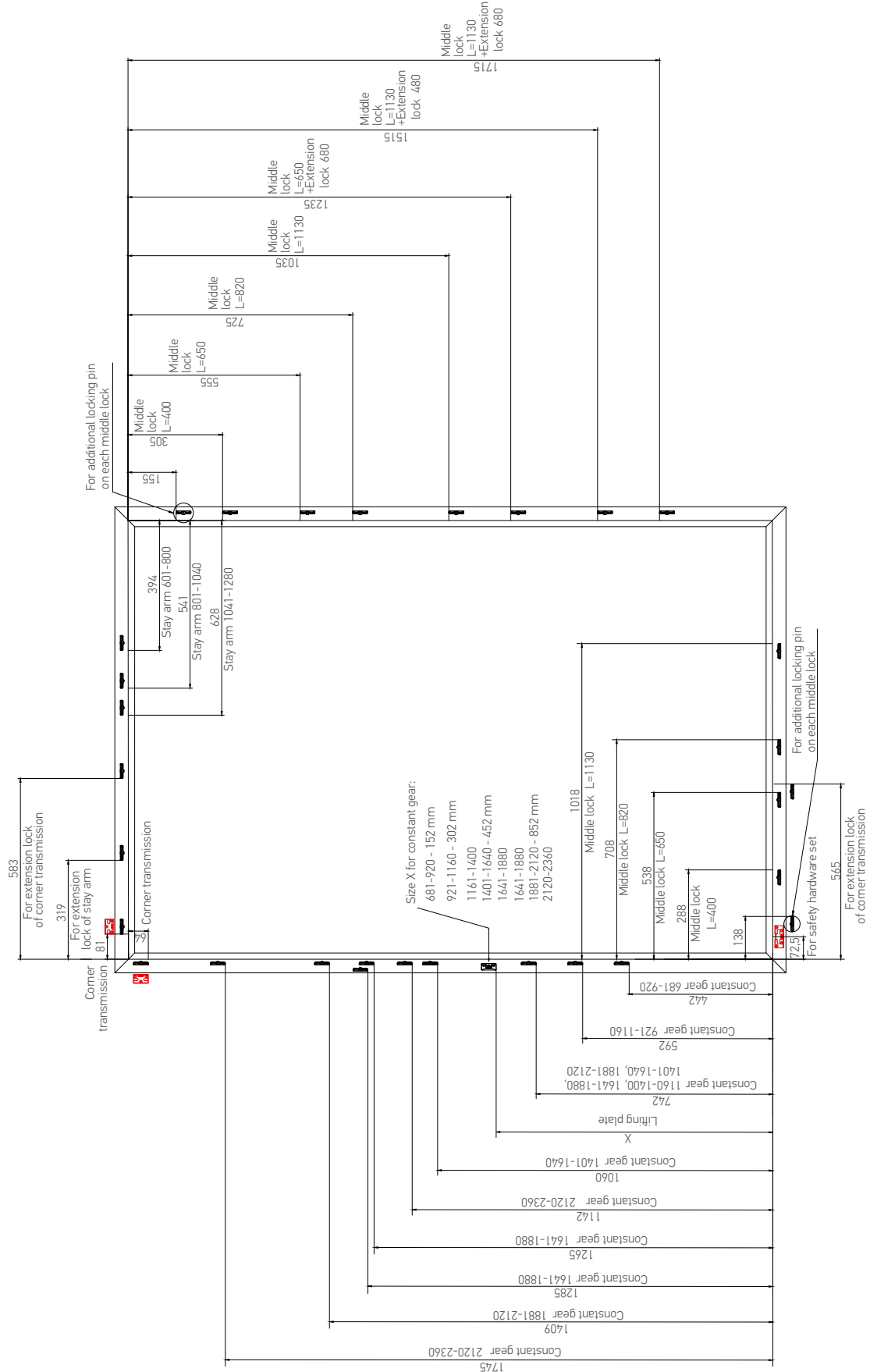




Installation of frame hardware components

Installation
Tools

Installation of frame hardware components
using a constant gears

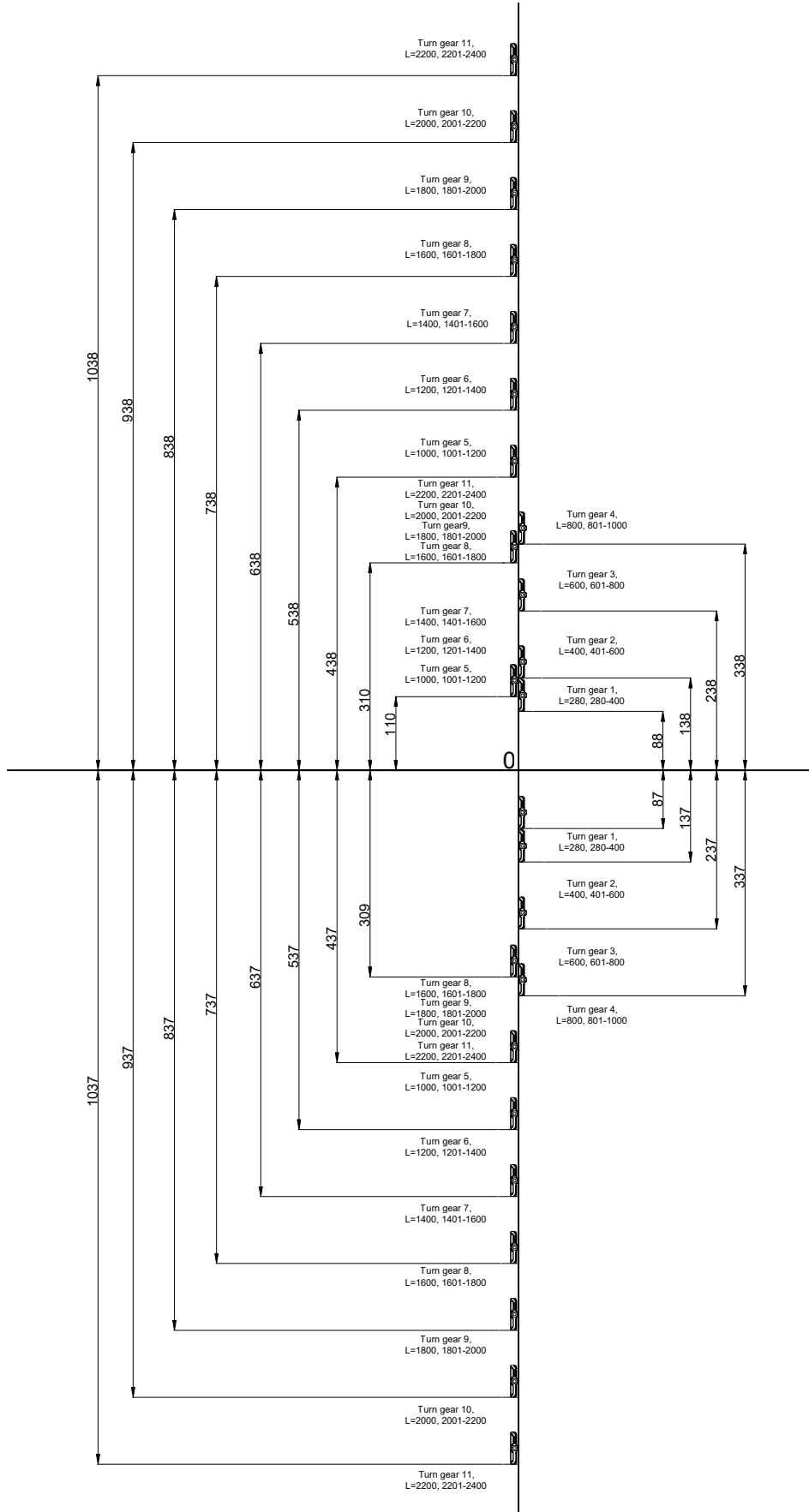


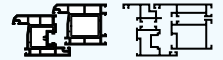


Location of locking plates

Installation
Tools

Location of locking plates with using of single turn gears,
backset of ones is 15 mm.

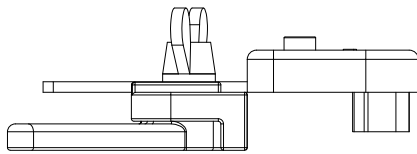
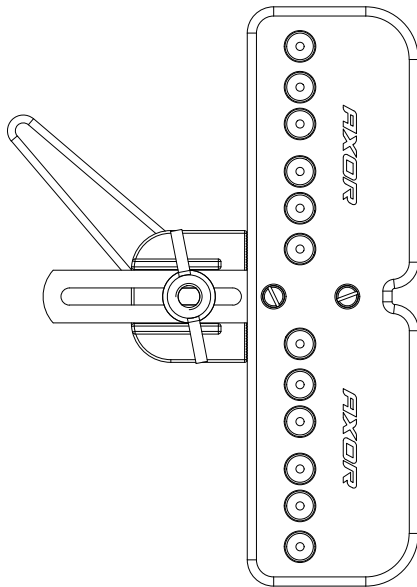
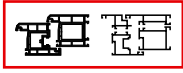




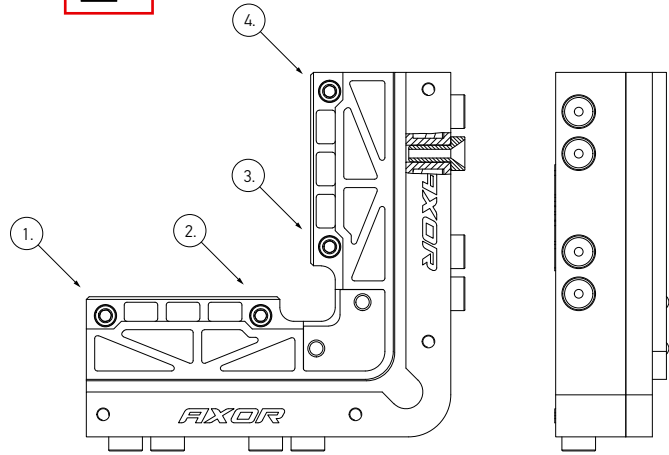
Jigs for frame hinges

Installation
Tools

Drilling jig for frame hinges



Drilling jig for sash hinges



1-4. Adjustment screws use for jig fixation in sash groove..

Adjustment plate



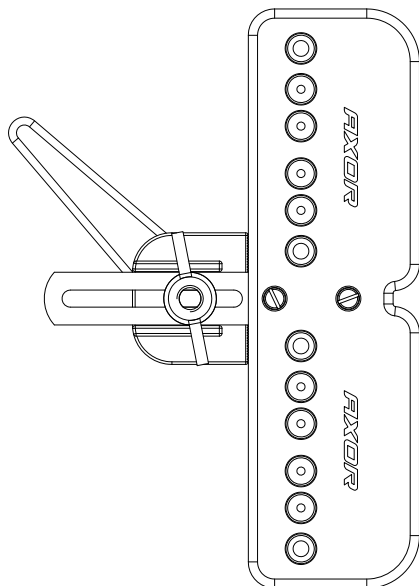
Description	Profile	Designation	Tool		Part No.
Drilling jig for frame hinges	12/20-13	For drilling holes for top and bottom frame hinges	drill Ø3	50	A7002-00-N09
Drilling jig for frame hinges	12/21-13	For drilling holes for top and bottom frame hinges	drill Ø3	50	A7002-20-N09
Drilling jig for sash hinges	12/20-13; 12/20-9	For drilling holes for bottom sash hinge	drill Ø3	80	A7003-00-N09
Drilling jig for sash hinges	12/21-13; 12/21-9	For drilling holes for bottom sash hinge	drill Ø3	80	A7003-20-N09
Adjustment plate 0,5 mm	—	For sash jig adjustment	—	1	10073-05-N08
Adjustment plate 0,7 mm	—	For sash jig adjustment	—	1	10073-07-N08
Adjustment plate 1 mm	—	For sash jig adjustment	—	1	10073-10-N08



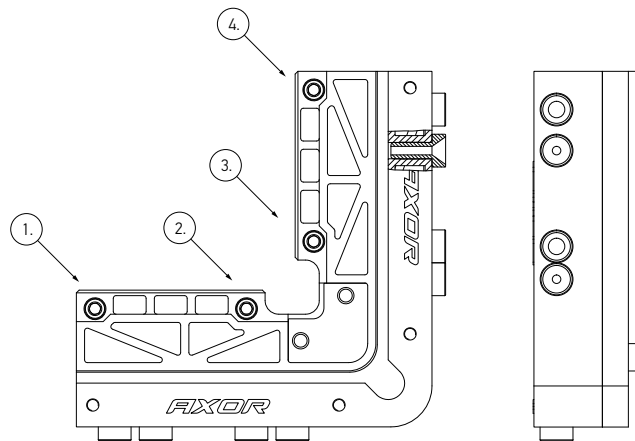
Jigs for frame hinges 130 kg

Installation Tools

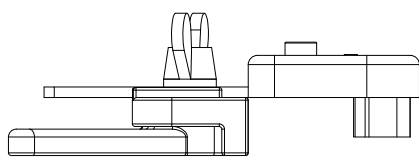
Drilling jig for frame hinges 130 kg



Drilling jig for sash hinges 130 kg



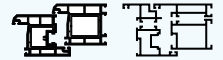
1-4. Adjustment screws use for jig fixation in sash groove.



Adjustment plate



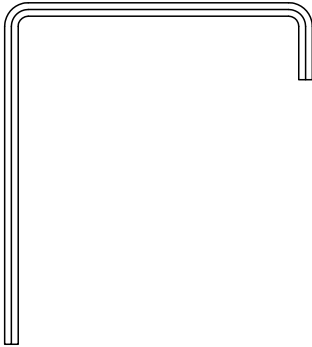
Description	Profile	Designation	Tool		Part No.
Drilling jig for frame hinges 130 kg	12/20-13	For drilling holes for top and bottom frame hinges	drill Ø3/6	50	A7002-10-N09
Drilling jig for frame hinges 130 kg	12/21-13	For drilling holes for top and bottom frame hinges	drill Ø3/6	50	A7002-30-N09
Drilling jig for sash hinges 130 kg	12/20-13; 12/20-9	For drilling holes for bottom sash hinge	drill Ø3/6	80	A7003-10-N09
Drilling jig for sash hinges 130 kg	12/21-13; 12/21-9	For drilling holes for bottom sash hinge	drill Ø3/6	80	A7003-30-N09
Adjustment plate 0,5 mm	—	For sash jig adjustment	—	1	10073-05-N08
Adjustment plate 0,7 mm	—	For sash jig adjustment	—	1	10073-07-N08
Adjustment plate 1 mm	—	For sash jig adjustment	—	1	10073-10-N08



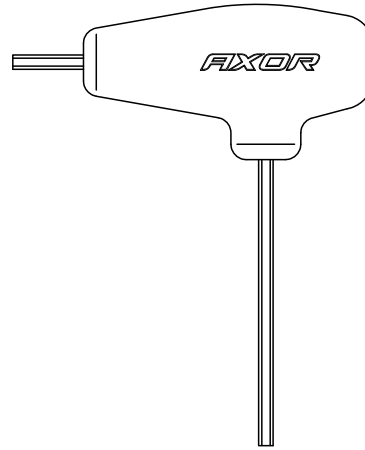
Adjusting tools

Installation
Tools

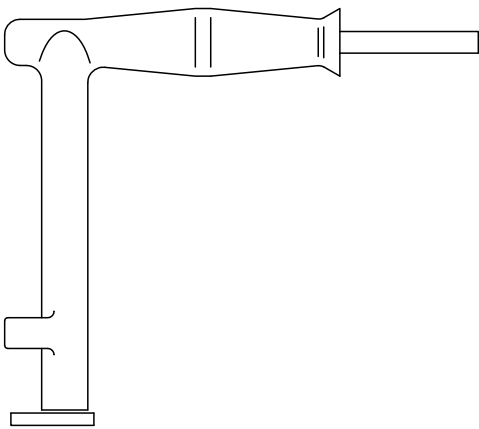
Allen key U type




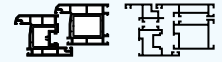
Allen key (L type plastic coated)



Mounting square handle



Description	Product group		Part No.
Allen key U type	K3-S+	100	A7020-00-N03
Allen key (L type plastic coated)	K3-S+	12	A7021-00-N03
Mounting square handle	K3-S+	1	A7022-00-N03



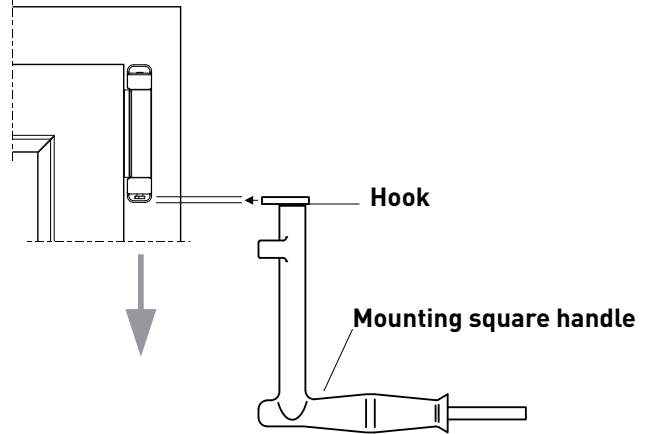
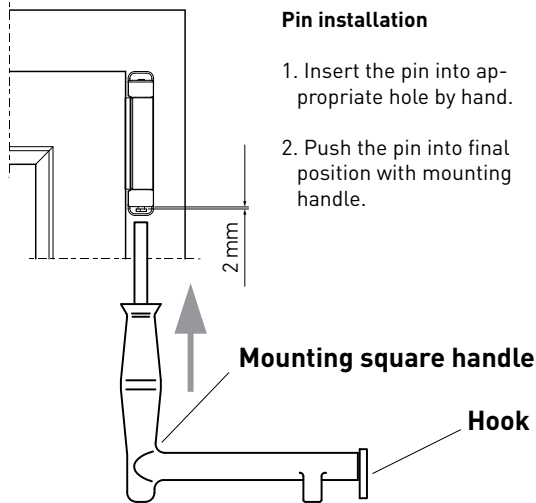
Installation recommendations Adjustment

Sash installation

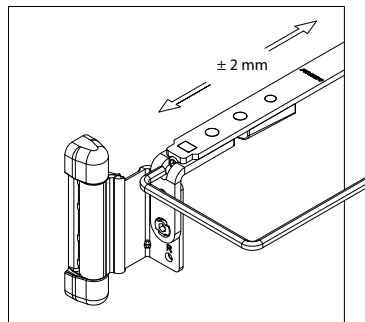
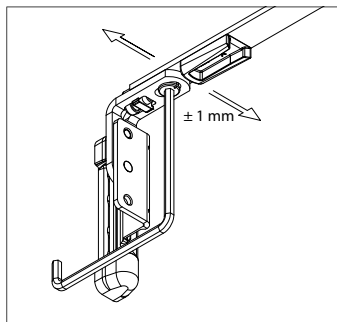
The pin should be installed only when the sash has been closed and the handle is in "Tilt" position.
Caution!
After the pin has been installed to rotate the handle to "Closed" position.

Sash removing

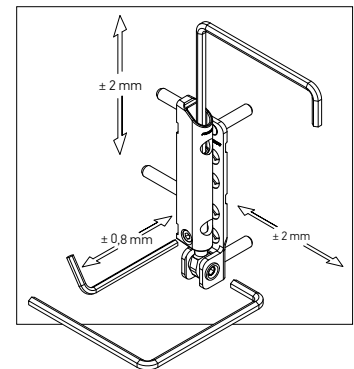
The pin should be removed only when the window has been closed and the handle is in "Tilted" position. Then, after the pin has been removed to turn the handle to "Open" position and to remove the sash.



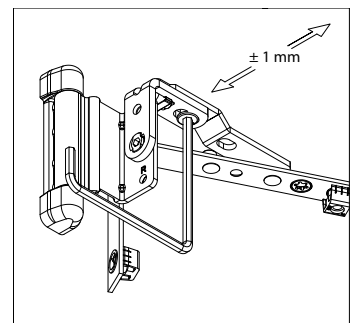
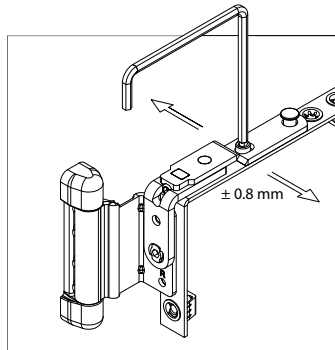
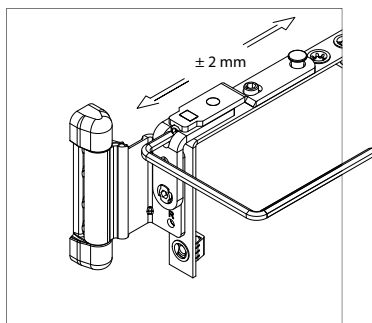
Stay arm



Drill-in corner hinge



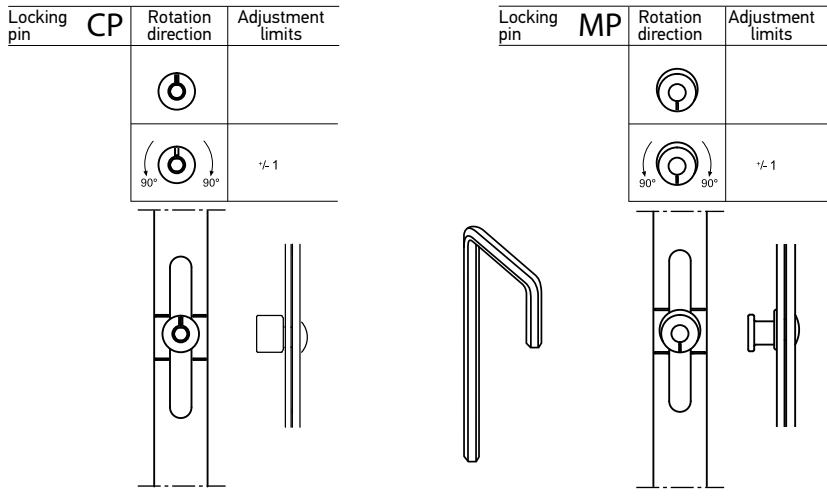
Turn stay arm





Installation recommendations
Adjustment

Installation
Tools

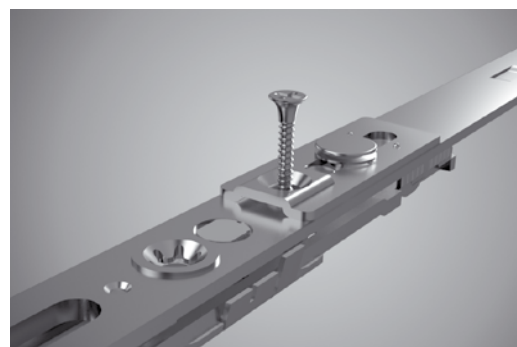
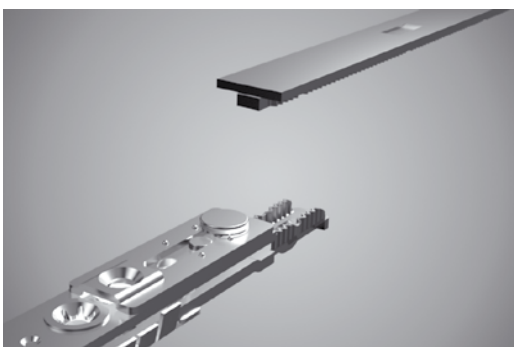


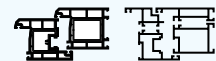
Installation recommendations

For hinge installation it is recommended to drill 3-mm hole in plastic and reinforcement profile, then to screw the hinge with screws without drill-bit.



The straight cut and the connection with a special slider





Punching machines

Punching machines



BS - Multi - Max® PS 100

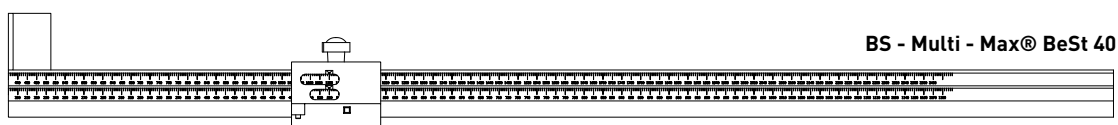
- Integrated blow out function
- Straight cuts
- Punching Force at 6bar15 kN
- Working Pressure min 6-8 bar
- Working Pressure max.8 bar
- Foot switch
- Designed for small up to medium size production



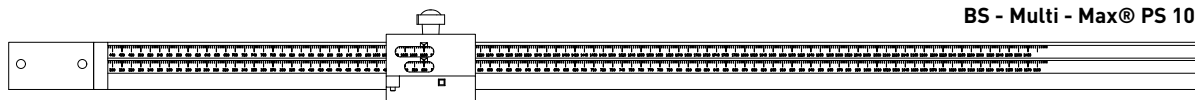
BS - Multi - Max® BeSt40

- Hydropneumatic drive
- Straight cut
- Working Pressure 6-8 bar
- Punching Force at 6,75 bar40 kN
- Max. punching force60 kN
- Max. pressure.....8 bar
- Foot control

The rulers



BS - Multi - Max® BeSt 40

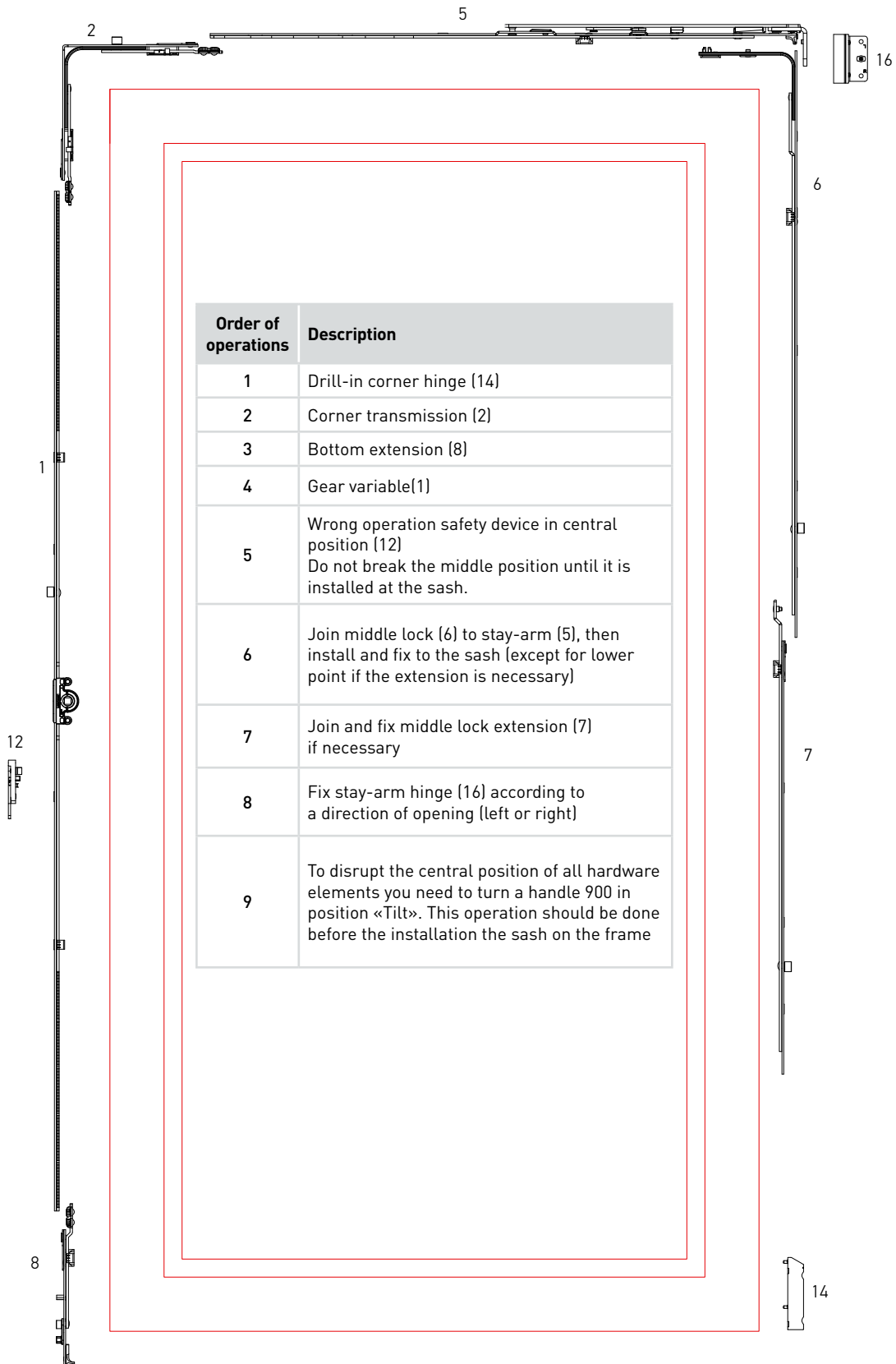


BS - Multi - Max® PS 100

Description	Part No.
Punching machine BS-Multi-MAX BeSt40 with foot control	BeSt40-SVGL20
Punching machine BS-Multi-MAX PS100 with foot control	PS100-4-G-A-0-2-0
The ruler BS-Multi-MAX BeSt 40	A7041-01-N03
The ruler BS-Multi-MAX PS100	A7041-02-N03
The ruler for constant gears K3, BS-Multi-MAX BeSt 40	A7041-05-L03/R03
The ruler for constant gears K3, BS-Multi-MAX PS100	A7041-06-L03/R03



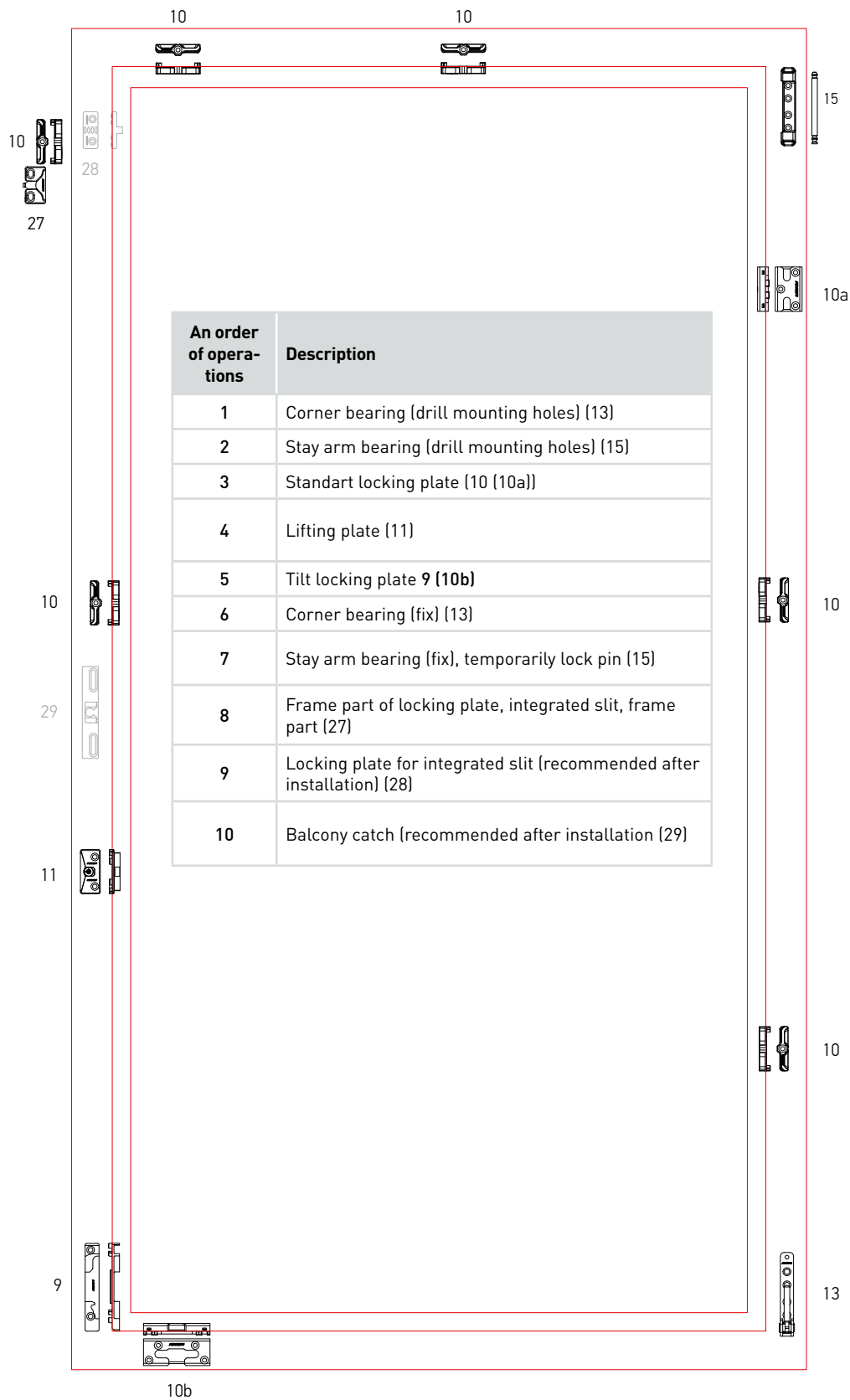
An order of the hardware installation for a sash

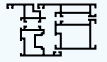




An order of
the hardware installation

An order of the hardware installation for a frame



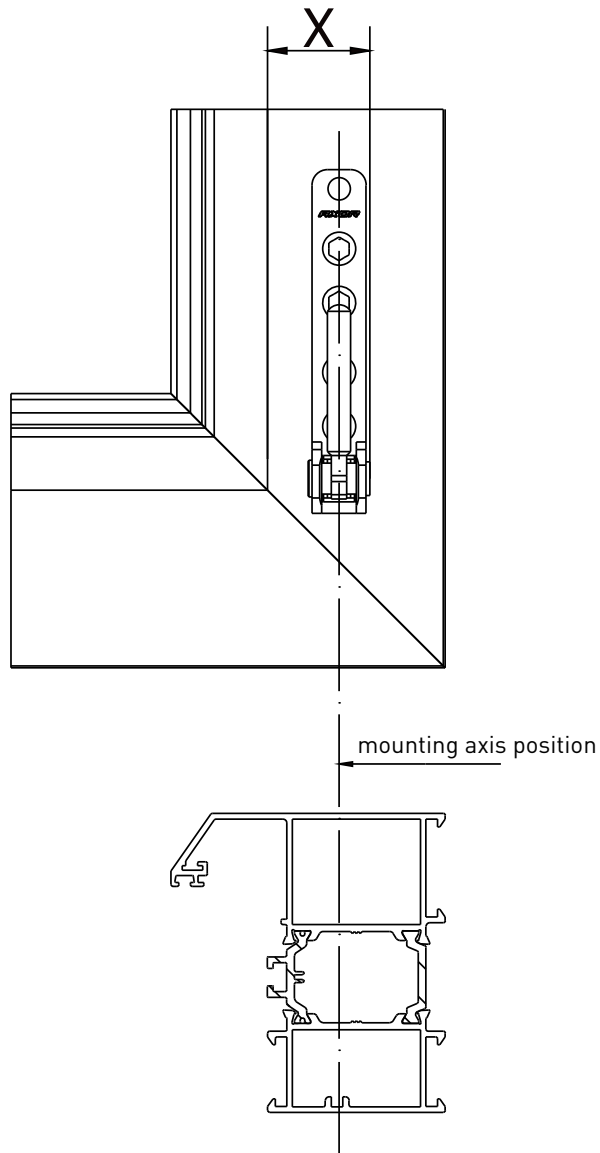


Minimum gap for mounting of visible hinges

Installation
Tools

X - minimum gap between the groove of glazing bead and a jumb

Sash overlap, mm	X
18	26,5
20	28,5



AXORTM

KOMFORT LINE K-3

Profile-dependent elements

AXOR


Profile list
Profile-depending elements

Profile	B	Tilt locking plate	Locking plate	Lifting plate	Locking plate, integrated slit	Locking plate for adjustable integrated slit	Safety locking plate	Tilt safety locking plate	Tilt locking plate «First Tilt»	Locking plate adjustable for shoot bolt
ALUPLAST IDEAL 2000	13	K6004-13-L/R03	A7012-13-N03	A6003-13-N03	A6002-13-N03	A6004-00-N03	S6001-13-N03	S6002-13-N03		K6002-13-N03
BROKELMANN 58	13	K6005-13-L/R03	A7034-13-N00	A6003-13-N03	A6002-13-N03	A6004-00-N03	S6005-13-N03	S6006-13-N03		K6002-13-N03
BROKELMANN 70	13	K6004-13-L/R03	A7012-13-N03	A6003-13-N03	A6002-13-N03	A6004-00-N03	S6005-13-N03	S6006-13-N03		K6002-13-N03
DECEUNINCK	13	K6008-13-L/R03	A7044-13-N03	A6010-13-N03	A6012-13-N03		S6012-13-N03	S6013-13-N03		K6002-13-N03
GEALAN	13	K6009-13-L/R03	A7042-13-N03	A6003-13-N03	A6002-13-N03	A6004-00-N03	S6014-13-N03	S6022-13-L/R03		K6002-13-N03
GEALAN 9000N			A7066-13-N03							
KBE 58/9	9	K6003-09-L/R03	A7013-09-N03	A6007-09-N03	A6005-09-N03	A6004-00-N03	S6003-09-N03	S6004-09-N03		K6002-09-N03
KBE 58/9 Plus	9	K6003-09-L/R03	A7043-09-N03	A6007-09-N03	A6005-09-N03	A6004-00-N03	S6003-09-N03	S6004-09-N03		K6002-09-N03
KBE 58/13	13	K6001-13-L/R03	A7011-13-N03	A6003-13-N03	A6002-13-N03	A6004-00-N03	S6001-13-N03	S6002-13-N03		K6002-13-N03
KONING 70	13	K6004-13-L/R03	A7012-13-N03	A6003-13-N03	A6002-13-N03	A6004-00-N03	S6005-13-N03	S6006-13-N03		K6002-13-N03
MIROPLAST WDS 400	13	K6001-13-L/R03	A7011-13-N03	A6003-13-N03	A6002-13-N03	A6004-00-N03	S6001-13-N03	S6002-13-N03	S6015-13-L/R03	K6002-13-N03
MIROPLAST WDS 404	13	K6001-13-L/R03	A7011-13-N03	A6003-13-N03	A6002-13-N03	A6004-00-N03	S6001-13-N03	S6002-13-N03	S6015-13-L/R03	K6002-13-N03
MIROPLAST WDS 505	13	K6001-13-L/R03	A7011-13-N03	A6003-13-N03	A6002-13-N03	A6004-00-N03	S6001-13-N03	S6002-13-N03	S6015-13-L/R03	K6002-13-N03
MIROPLAST WDS 800	13	K6001-13-L/R03	A7011-13-N03	A6003-13-N03	A6002-13-N03	A6004-00-N03	S6001-13-N03	S6002-13-N03	S6015-13-L/R03	K6002-13-N03

B - sash groove position



Profile list

Profile-depending elements

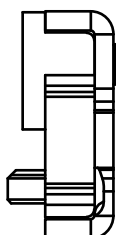
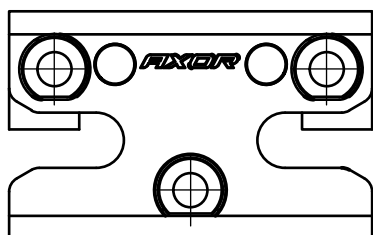
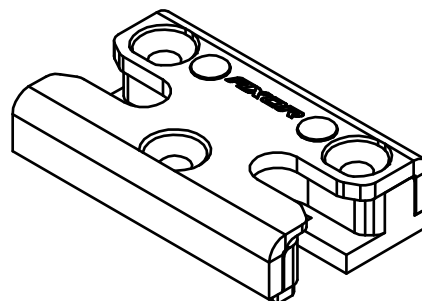
Profile	B	Tilt locking plate	Locking plate	Lifting plate	Locking plate, integrated slit	Locking plate for adjustable integrated slit	Safety locking plate	Tilt safety locking plate	Tilt locking plate «First Tilt»	Locking plate adjustable for shoot bolt
REHAU BASIC DESIGN	13	K6004-13-L/R03	A7012-13-N03	A6003-13-N03	A6002-13-N03	A6004-00-N03	S6001-13-N03	S6002-13-N03	S6015-13-L/R03	K6002-13-N03
REHAU BRILLANT DESIGN	13	K6004-13-L/R03	A7012-13-N03	A6003-13-N03	A6002-13-N03	A6004-00-N03	S6001-13-N03	S6002-13-N03	S6015-13-L/R03	K6002-13-N03
REHAU CLIMA DESIGN	13	K6004-13-L/R03	A7012-13-N03	A6003-13-N03	A6002-13-N03	A6004-00-N03	S6001-13-N03	S6002-13-N03	S6015-13-L/R03	K6002-13-N03
REHAU THERMO DESIGN	13	K6004-13-L/R03	A7012-13-N03	A6003-13-N03	A6002-13-N03	A6004-00-N03	S6001-13-N03	S6002-13-N03	S6015-13-L/R03	K6002-13-N03
SALAMANDER DESIGN 2D	13	K6004-13-L/R03	A7012-13-N03	A6013-13-N03	A6014-13-N03	A6004-00-N03	S6001-13-N03	S6002-13-N03	S6015-13-L/R03	K6002-13-N03
SALAMANDER DESIGN 3D	13	K6004-13-L/R03	A7012-13-N03	A6013-13-N03	A6014-13-N03	A6004-00-N03	S6001-13-N03	S6002-13-N03	S6015-13-L/R03	K6002-13-N03
VEKA SOFTLINE 58	13	K6001-13-L/R03	A7011-13-N03	A6003-13-N03	A6002-13-N03	A6004-00-N03	S6001-13-N03	S6002-13-N03	S6015-13-L/R03	K6002-13-N03
VEKA SOFTLINE 70	13	K6001-13-L/R03	A7011-13-N03	A6003-13-N03	A6002-13-N03	A6004-00-N03	S6001-13-N03	S6002-13-N03	S6015-13-L/R03	K6002-13-N03
VEKA TOPLINE AD	13	K6001-13-L/R03	A7011-13-N03	A6003-13-N03	A6002-13-N03	A6004-00-N03	S6001-13-N03	S6002-13-N03	S6015-13-L/R03	K6002-13-N03
WIINTECH 532 (ISOTECH)	13	K6001-13-L/R03	A7011-13-N03	A6017-13-N03	A6015-13-N03	A6016-00-N03	S6007-13-N03	S6008-13-N03	S6015-13-L/R03	K6002-13-N03
WIINTECH 632	13	K6001-13-L/R03	A7011-13-N03	A6003-13-N03	A6002-13-N03	A6004-00-N03	S6001-13-N03	S6002-13-N03	S6015-13-L/R03	K6002-13-N03
WIINTECH 742	13	K6001-13-L/R03	A7011-13-N03	A6003-13-N03	A6002-13-N03	A6004-00-N03	S6001-13-N03	S6002-13-N03	S6015-13-L/R03	K6002-13-N03
WIINTECH 752	13	K6001-13-L/R03	A7011-13-N03	A6003-13-N03	A6002-13-N03	A6004-00-N03	S6001-13-N03	S6002-13-N03	S6015-13-L/R03	K6002-13-N03
WIINTECH 80	13	K6001-13-L/R03	A7011-13-N03	A6003-13-N03	A6002-13-N03	A6004-00-N03	S6001-13-N03	S6002-13-N03	S6015-13-L/R03	K6002-13-N03
Double sash			A7063-00-N03	A6001-00-N03						

B - sash groove position

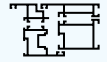


Telescopic locking plate

Profile-depending elements

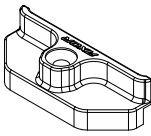
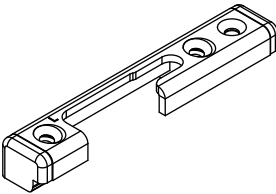
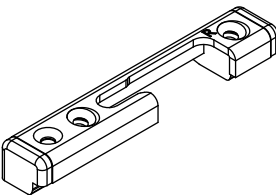
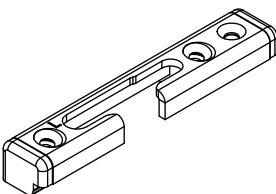
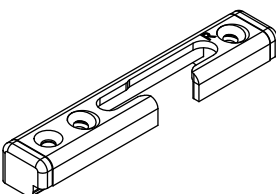
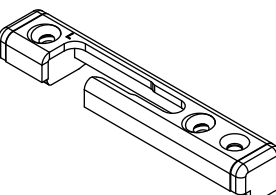
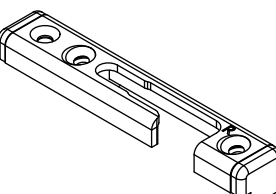



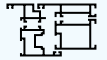
Description	Part No.
Telescopic locking plate 13 mm (WDS)	S6094-13-N03
Telescopic locking plate 13 mm (WINTECH 532)	S6095-13-N03
Telescopic locking plate 13 mm (KBE)	S6096-13-N03



Locking plates for aluminum profile, 9 mm

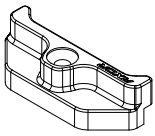
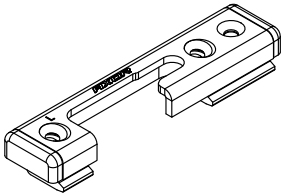
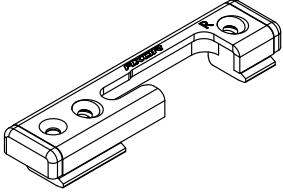
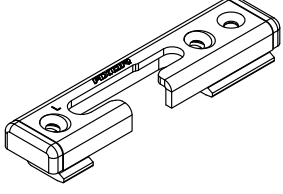
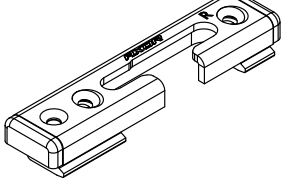
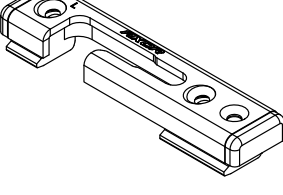
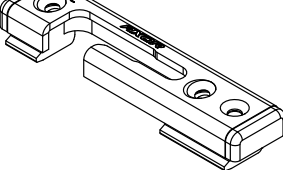
Profile-dependent elements

	Description	Part No.
	Locking plate for aluminum system, 9 mm	A7070-09-N03
	Standard locking plate 9 mm aluminium (-0,8 p ressure)	A7166-09-N03
	Safety locking plate for aluminum system, 9 mm, left	S6118-09-L03
	Safety locking plate for aluminum system, 9 mm, right	S6118-09-R03
	Tilt safety locking plate for aluminum system, 9 mm, left	S6120-09-L03
	Tilt safety locking plate for aluminum system, 9 mm, right	S6120-09-R03
	Tilt locking plate "First Tilt" for aluminum system, 9 mm, left	S6119-09-L03
	Tilt locking plate "First Tilt" for aluminum system, 9 mm, right	S6119-09-R03



Locking plates for aluminum profile, 13 mm

Profile-depending elements

Description	Part No.
	Locking plate for aluminum system, 13 mm A7165-13-N03
	Safety locking plate for aluminum system, 13 mm, left S6133-13-L03
	Safety locking plate for aluminum system, 13 mm, right S6133-13-R03
	Tilt safety locking plate for aluminum system, 13 mm, left S6134-13-L03
	Tilt safety locking plate for aluminum system, 13 mm, right S6134-13-R03
	Tilt locking plate "First Tilt" for aluminum system, 13 mm, left S6135-13-L03
	Tilt locking plate "First Tilt" for aluminum system, 13 mm, right S6135-13-R03



AXOR INDUSTRY
32, Truda Avenue,
Dnipro, 49041, Ukraine.
www.axorindustry.com