



ROLLER
HINGE
FOR PVC

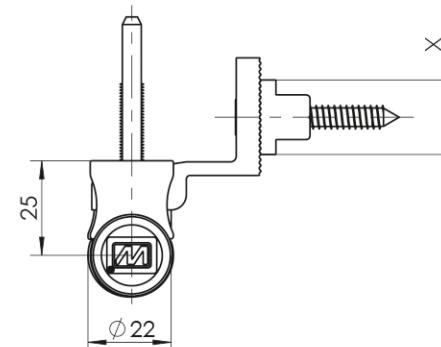
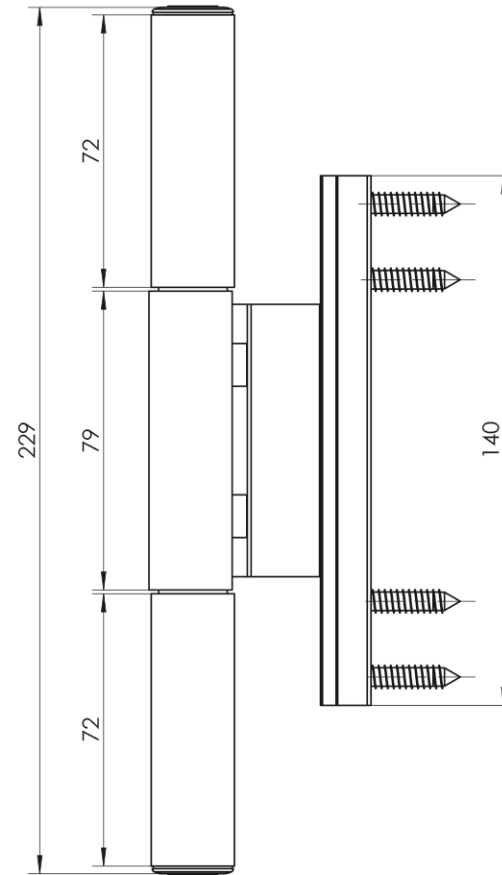




ROLLER
HINGE
FOR PVC
WRVR



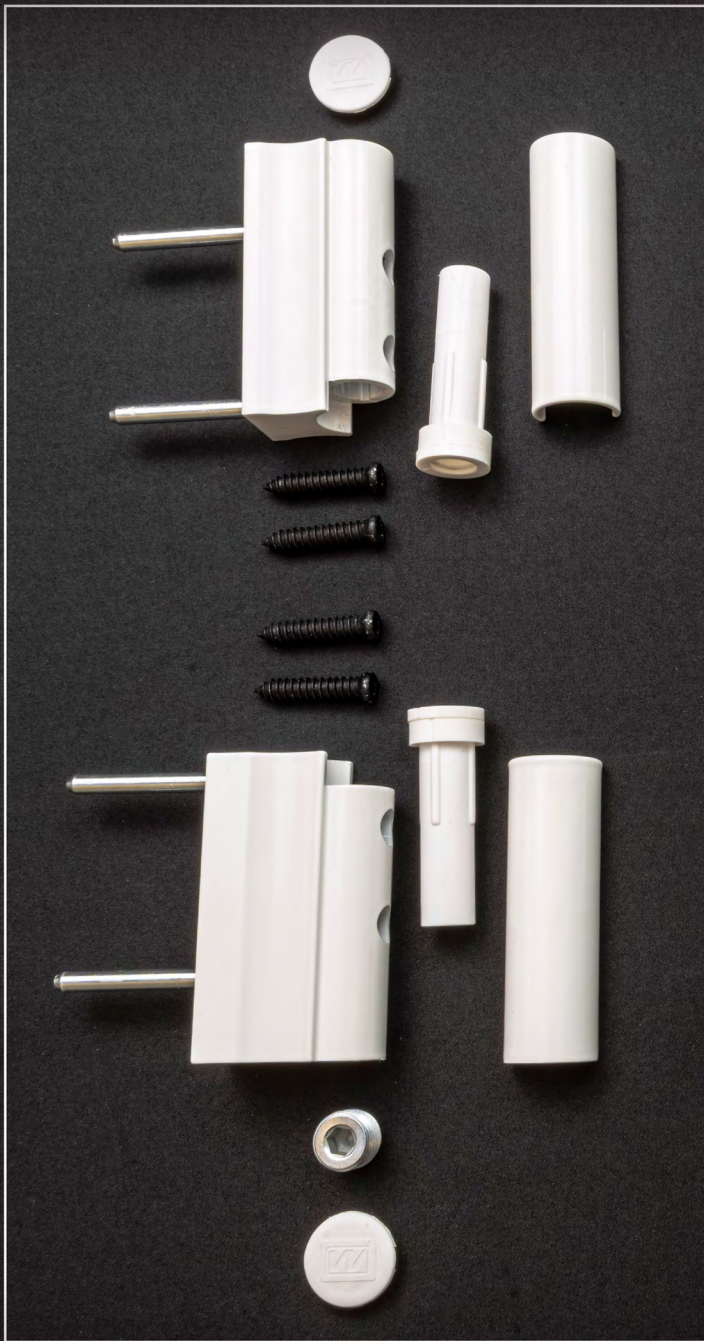
ROLLER HINGES FOR GROOVE PVC - WRVR - 3 WINGS



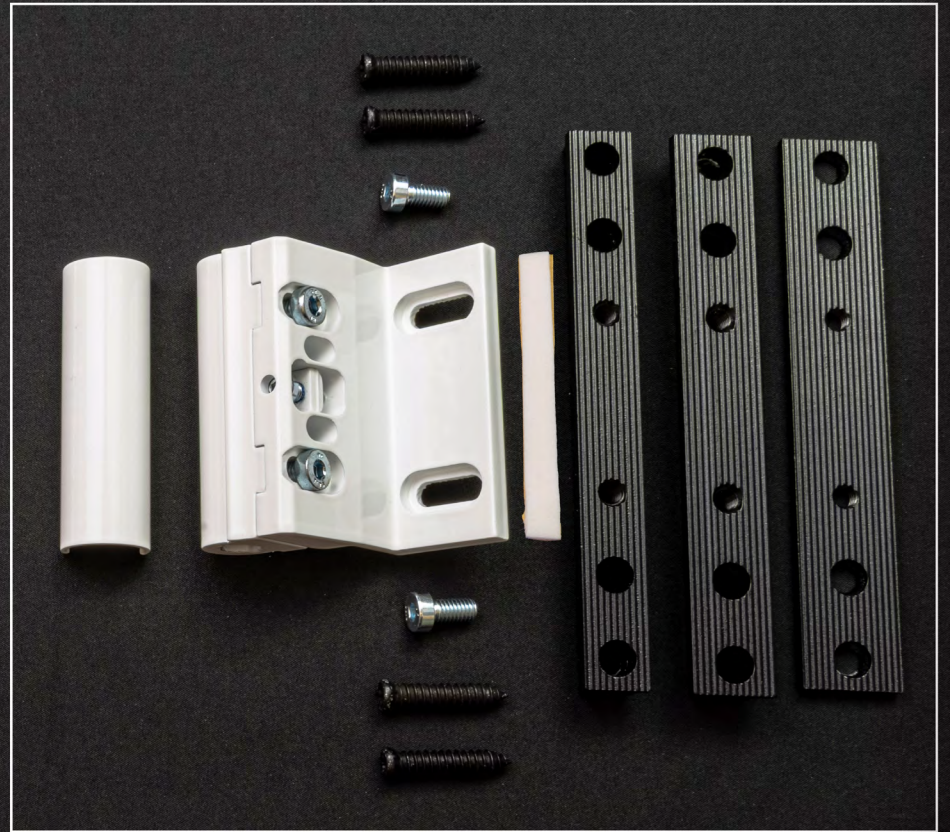
X
VARIABLE VALUE
DEPENDING
ON THE PROFILE:

- 16mm
- 20mm
- 24mm



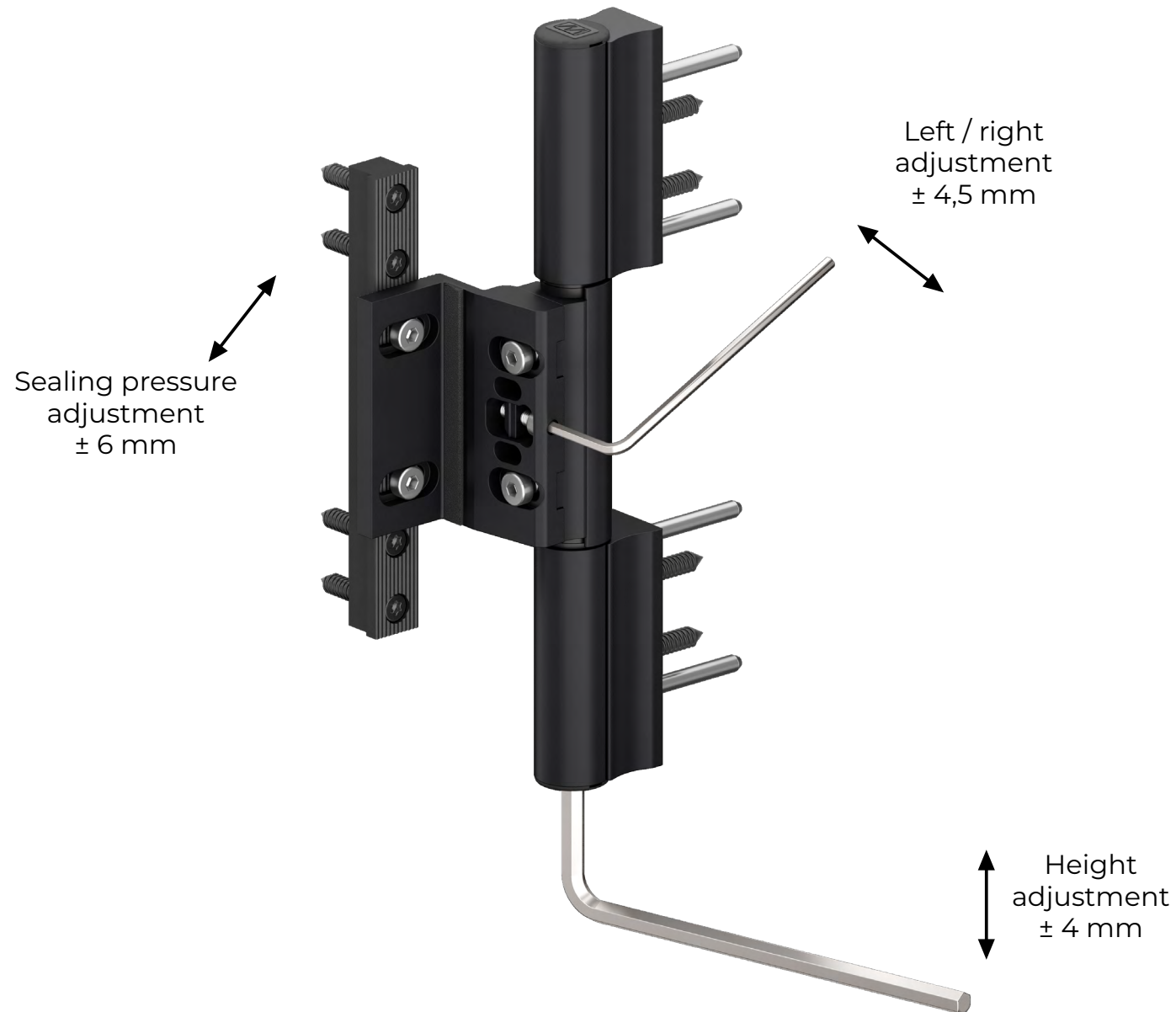


ELEMENTS
OF A DOOR FRAME

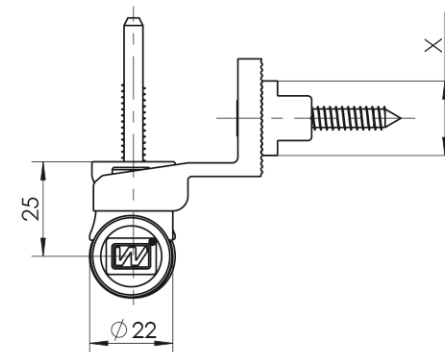
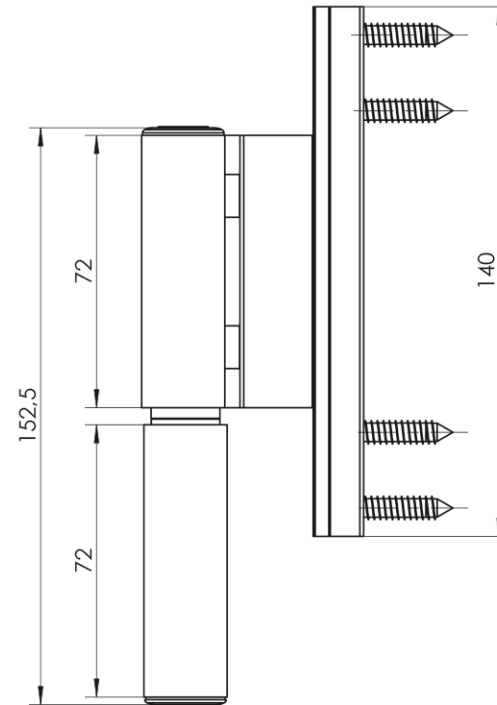


ELEMENTS
OF A DOOR SASH

ADJUSTMENT FOR ROLLER HINGES WRVR - 3 WINGS

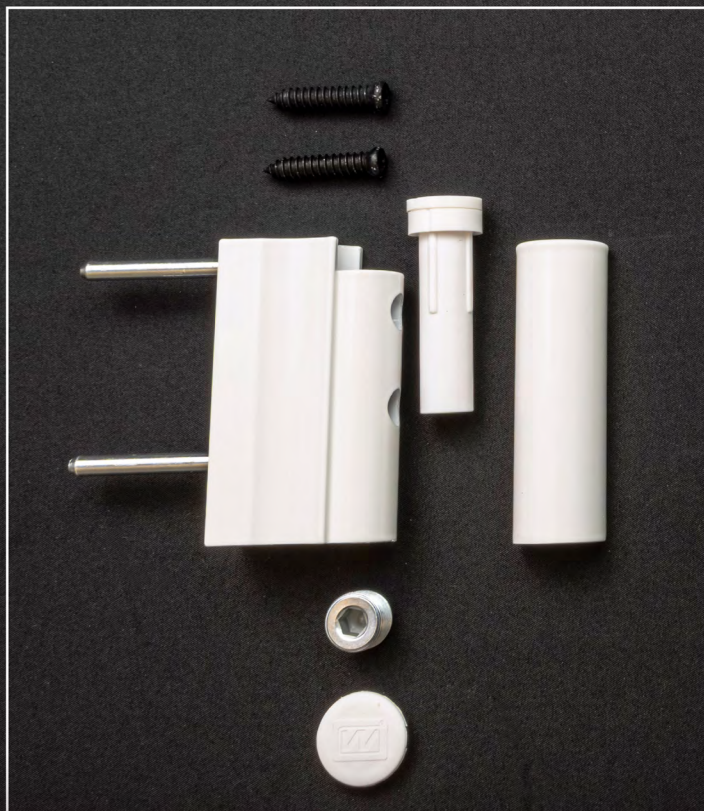


ROLLER HINGES FOR GROOVE PVC - WRVR - 2 WINGS

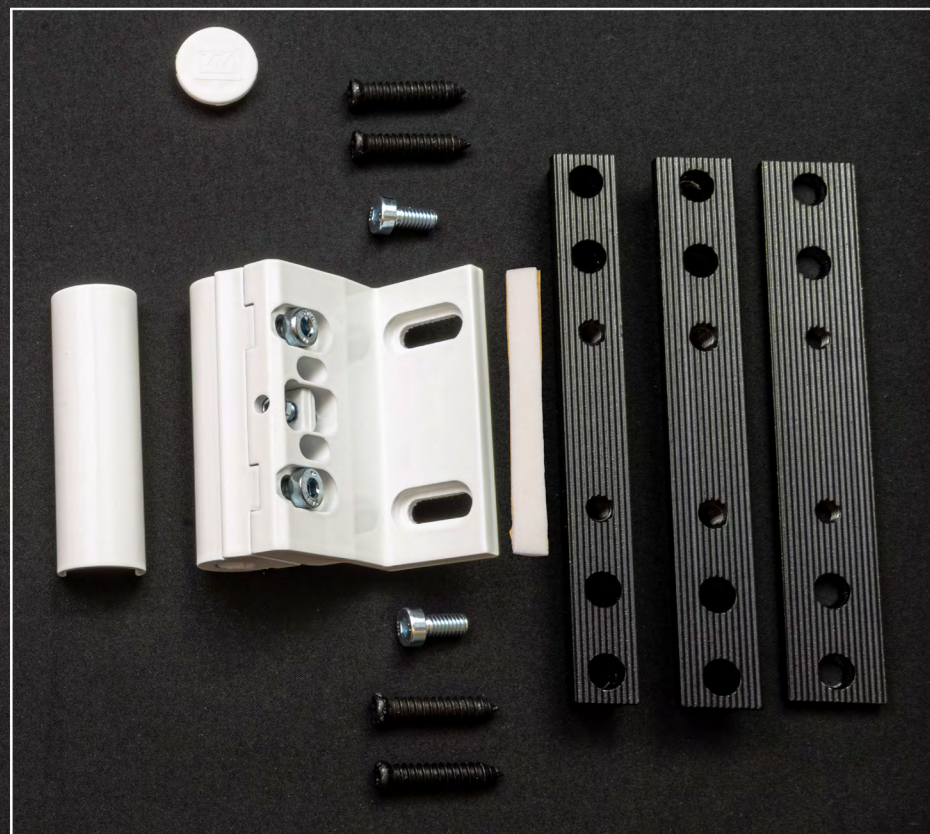


X
 VARIABLE VALUE
 DEPENDING
 ON THE PROFILE:
 - 16mm
 - 20mm
 - 24mm



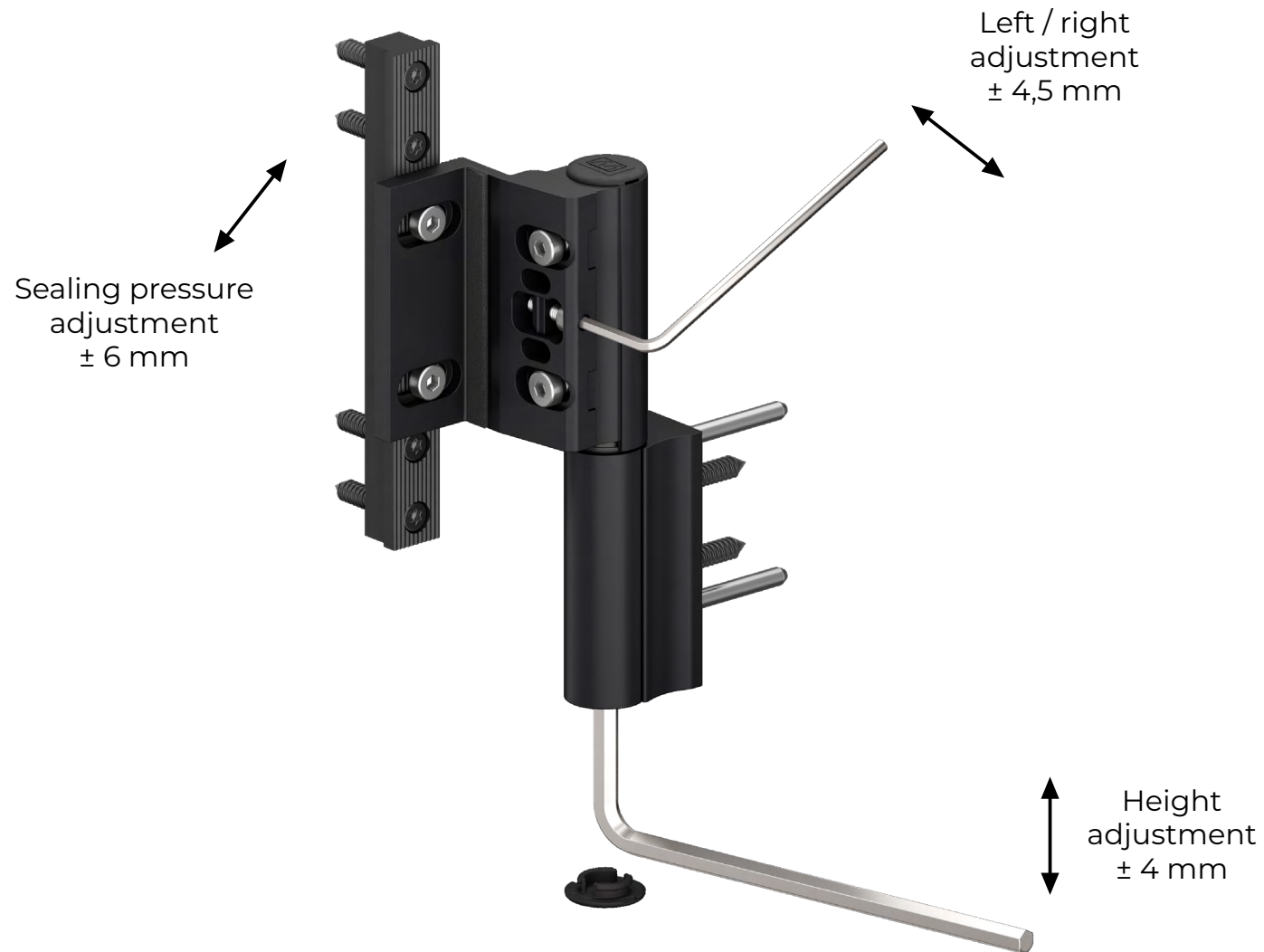


ELEMENTS
OF A DOOR FRAME



ELEMENTS
OF A DOOR SASH

ADJUSTMENT FOR ROLLER HINGES WRVR - 2 WINGS



CLASSIFICATION WRVR 2 & 3 WINGS

WRVR HINGE CLASSIFICATION
EN 1935:2002 + EN 1935:2002/AC:2003



4/4 - SERVICE CLESSES

7/7 - DURABILITY

7/7 - WEIGHT OF TEST DOOR

0/1 - FIRE RESISTANCE

1/1 - SECURITY

4/4 - CORROSION RESISTANCE * 5/5 according to EN 1670:2007 fulfilled

1/1 - INTRUSION PROTECTION

14/14 - HINGE CLASS

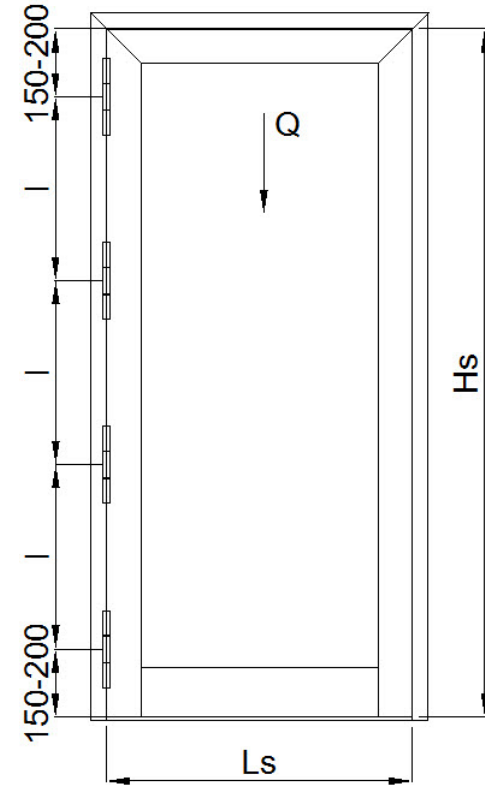
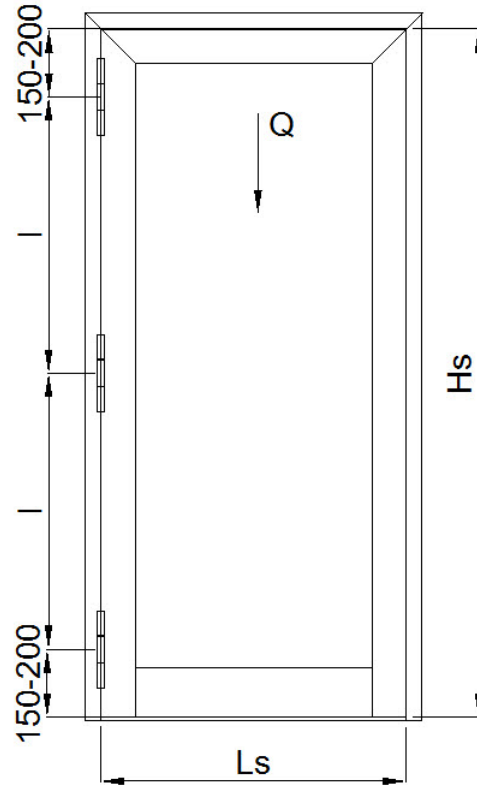
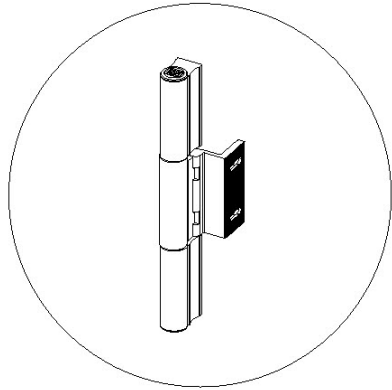
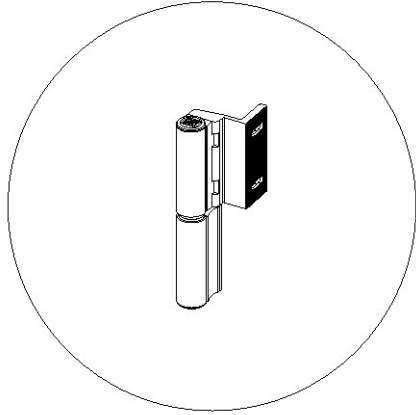


EMERGENCY
EXIT DOOR

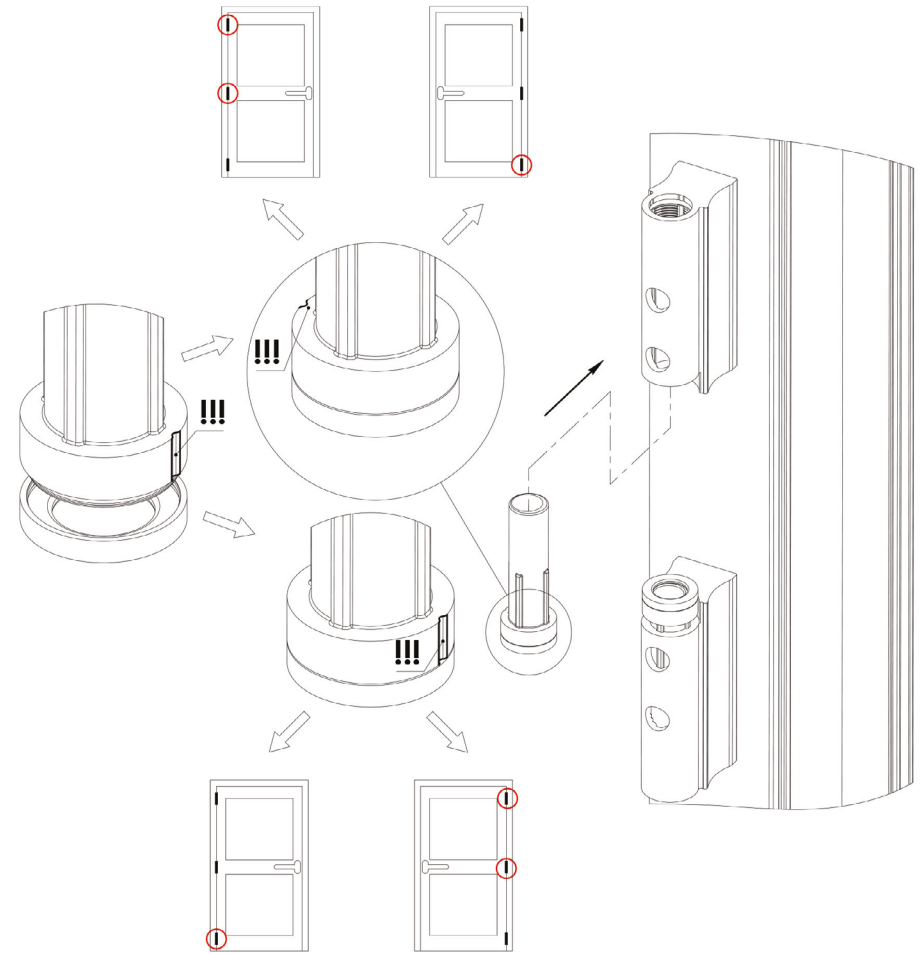
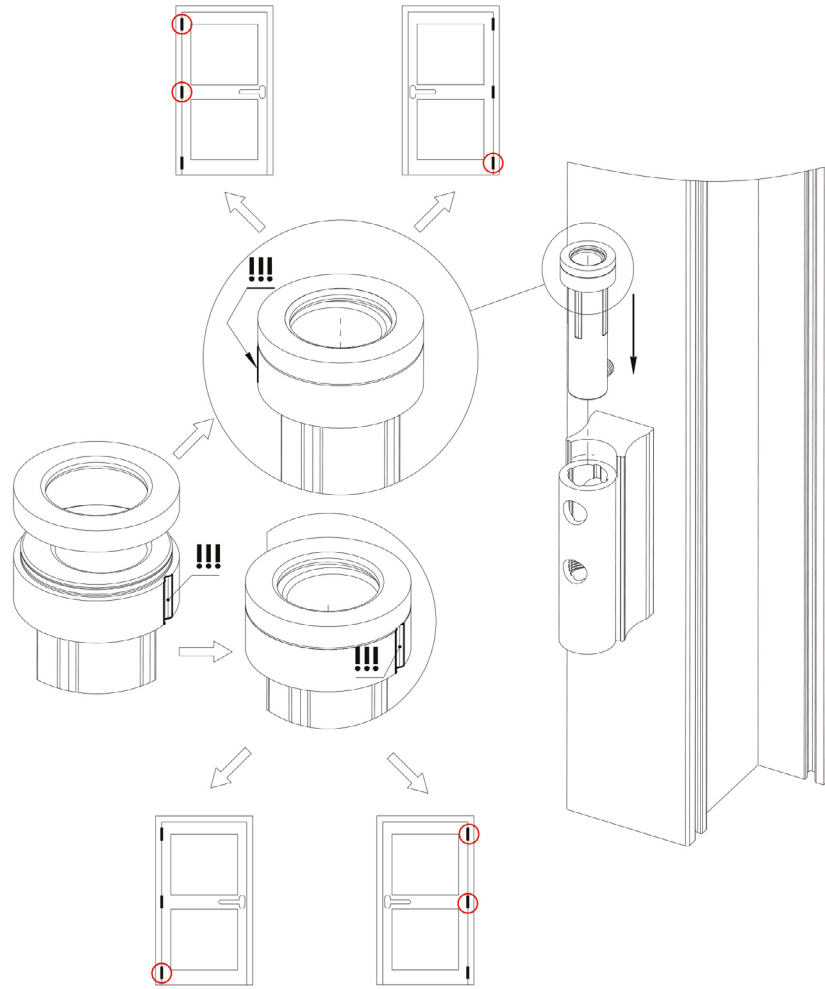
TESTS AT
IFT ROSENHEIM
PERFORMED
ON HINGES WITH
GALVANISED
AND STAINLESS STEEL
PINS.



ASSEMBLY RULES WRVR 2 & 3 WINGS



CORRECT BUSHING POSITIONING WRVR 2 & 3 WINGS



PATTERNS FOR DRILLING WRVR

TEMPLATE WRVR

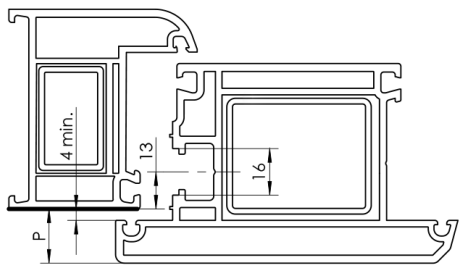


TELESCOPIC TEMPLATE WRVR

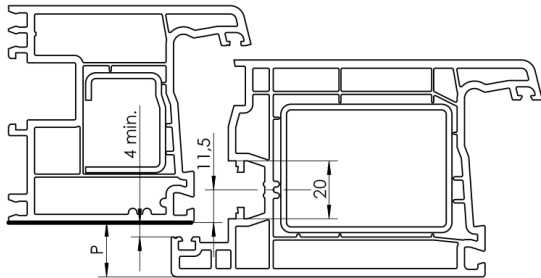


DRILLING FOR HINGES WRVR

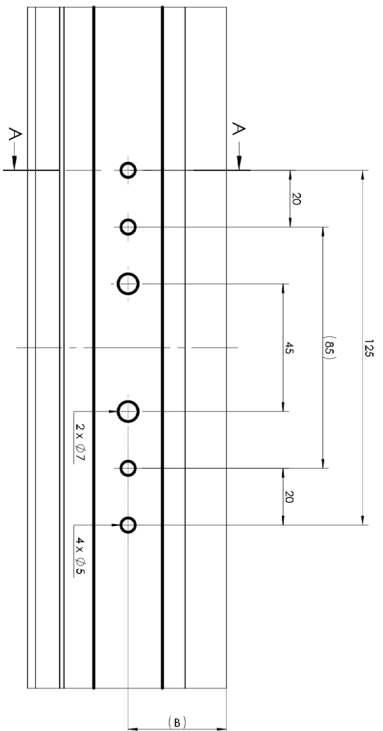
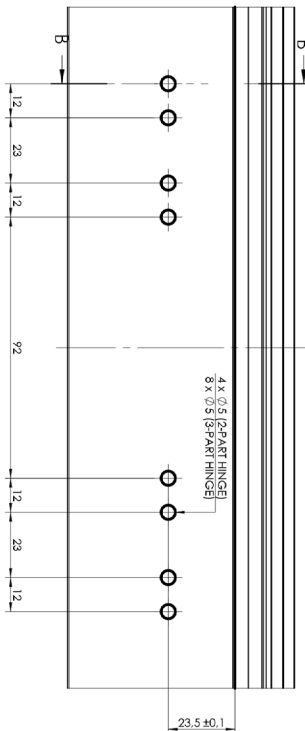
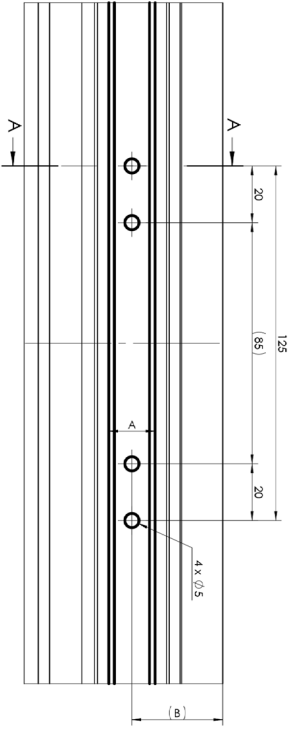
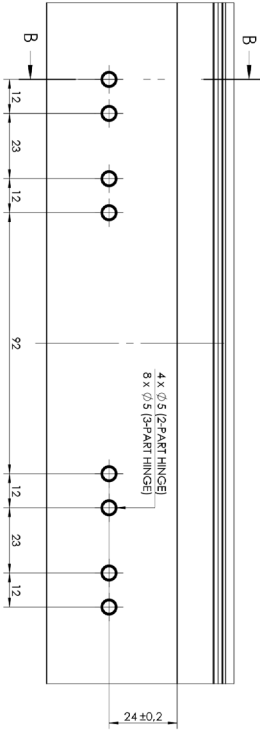
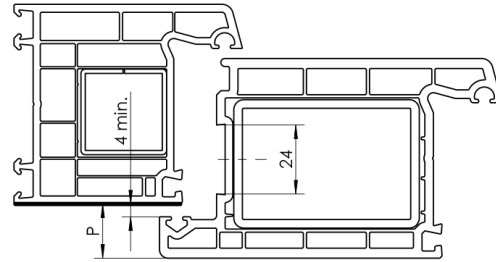
WRVR 16



WRVR 20



WRVR 24



LOAD SELECTION WRVR

If the distance between hinges in the middle of a door exceeds 1500mm, we suggest using additional hinge which caulks the door.



Private building



Public building



Door closer

2-wings

3-wings

		W	S	800	900	1000	1100	1200	1300	1400
 3x 4x				120	110	95	85	80	70	65
		2000	115		105	90	85	75	70	
		2100	120		115	100	90	80	75	
		2200		120	110	100	90	80		
		2300	120	120	115	110	95	85		
		2400			115	100	90			
		2500			120	105	95			
		2600				115	105			
		2700			120	110	115			
		2800				120	115			
2900	120									
3000	120									

		W	S	800	900	1000	1100	1200	1300	1400
 3x 4x				160	150	135	125	120	110	105
		2000	155		145	130	125	115	110	
		2100	160		155	140	130	120	115	
		2200		160	150	140	130	120		
		2300	160	160	155	150	135	125		
		2400			155	140	130			
		2500			160	145	135			
		2600				155	145			
		2700			160	150	155			
		2800				160	155			
2900	160									
3000	160									

		W	S	800	900	1000	1100	1200	1300	1400
 3x 4x				100	90	75	65	60	50	45
		2000	95		85	70	65	55	50	
		2100	100		95	80	70	60	55	
		2200		100	90	80	70	60		
		2300	100	100	95	90	75	65		
		2400			95	80	70			
		2500			100	85	75			
		2600				95	85			
		2700			100	90	95			
		2800				100	95			
2900	100									
3000	100									

		W	S	800	900	1000	1100	1200	1300	1400
 3x 4x				140	130	115	105	100	90	85
		2000	135		125	110	105	95	90	
		2100	140		135	120	110	100	95	
		2200		140	130	120	110	100		
		2300	140	140	135	130	115	105		
		2400			135	120	110			
		2500			140	125	115			
		2600				135	125			
		2700			140	130	135			
		2800				140	135			
2900	140									
3000	140									

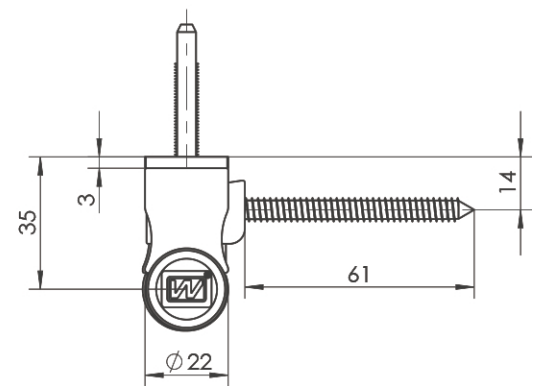
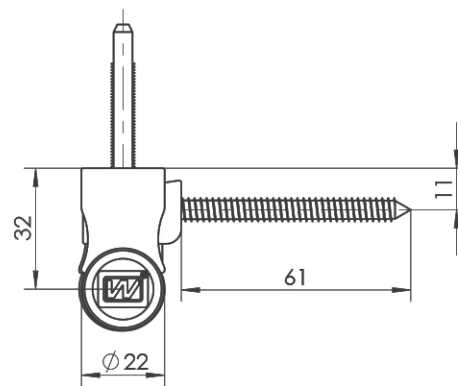
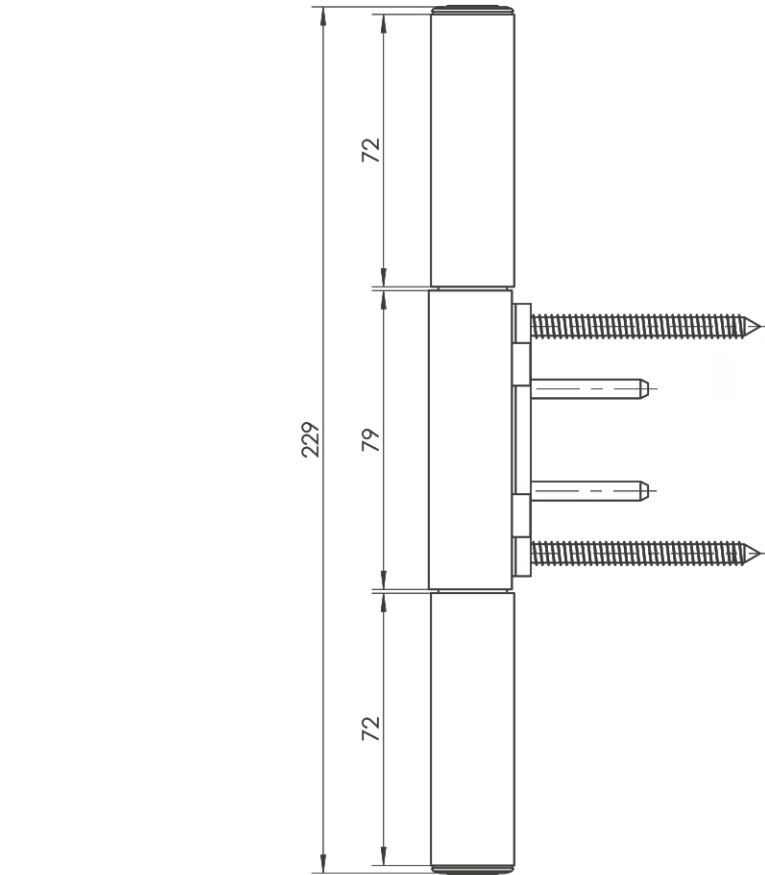




ROLLER
HINGE
FOR PVC
WRVP

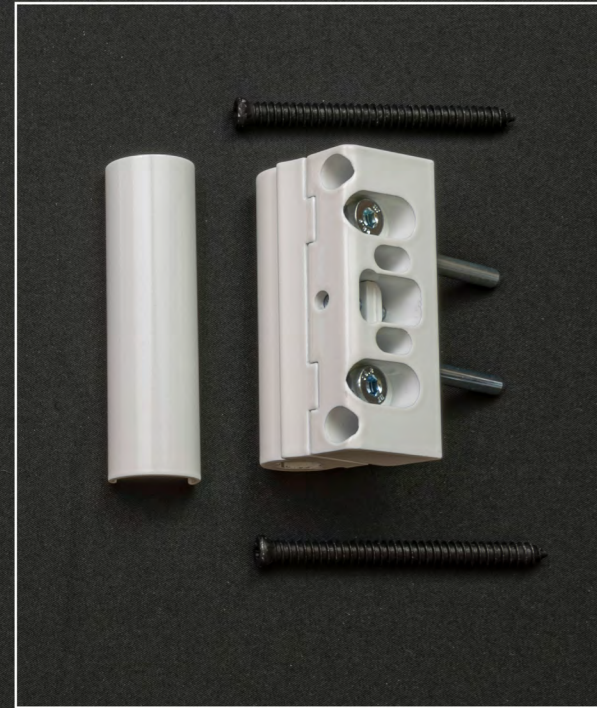


ROLLER HINGES FOR REBATE PVC WRVP - 3 WINGS



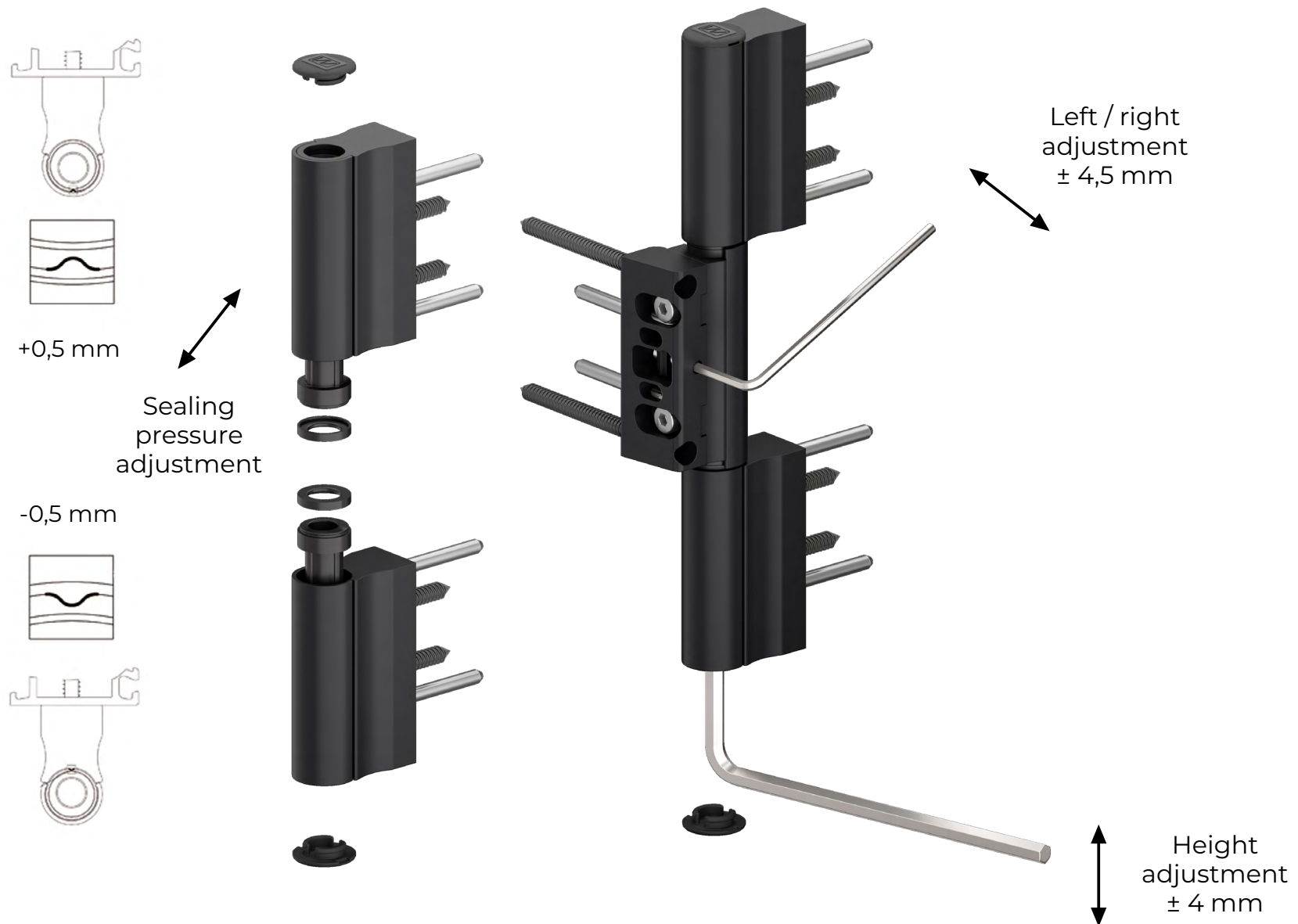


ELEMENTS
OF A DOOR FRAME



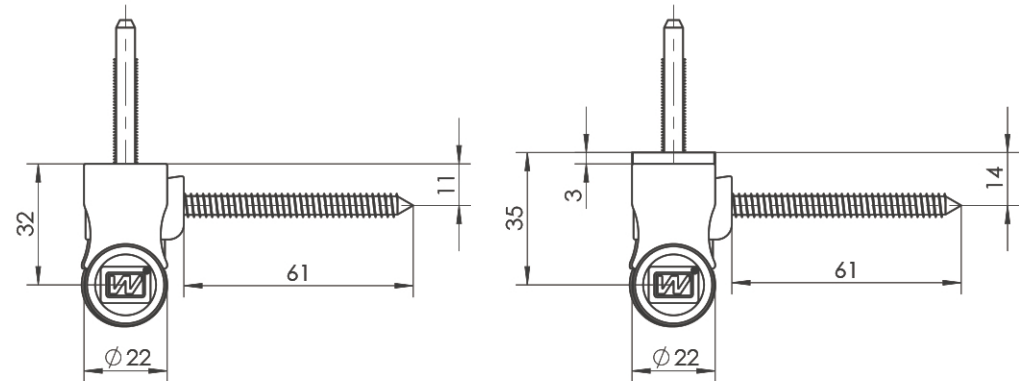
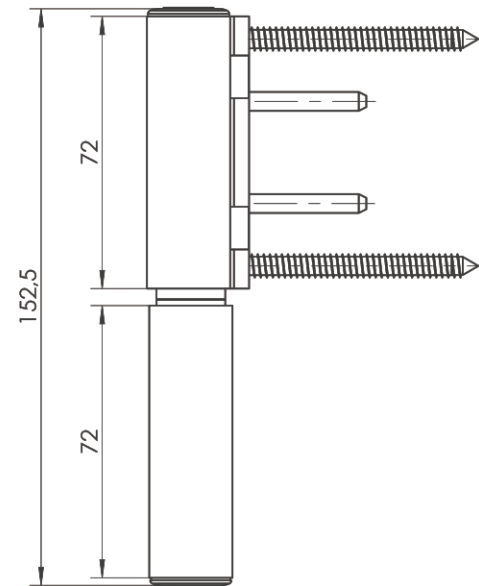
ELEMENTS
OF A DOOR SASH

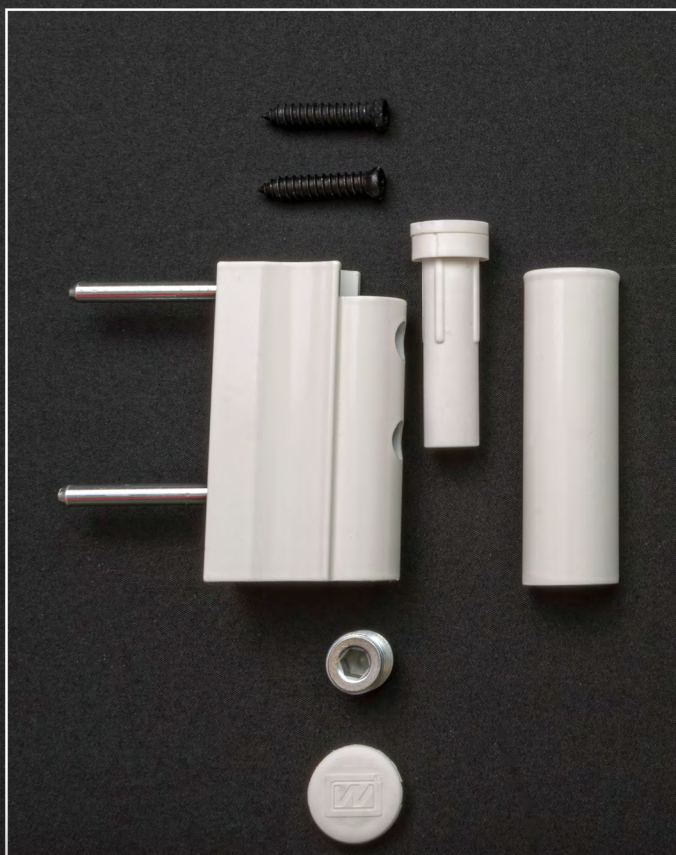
ADJUSTMENT FOR ROLLER HINGES WRVP - 3 WINGS



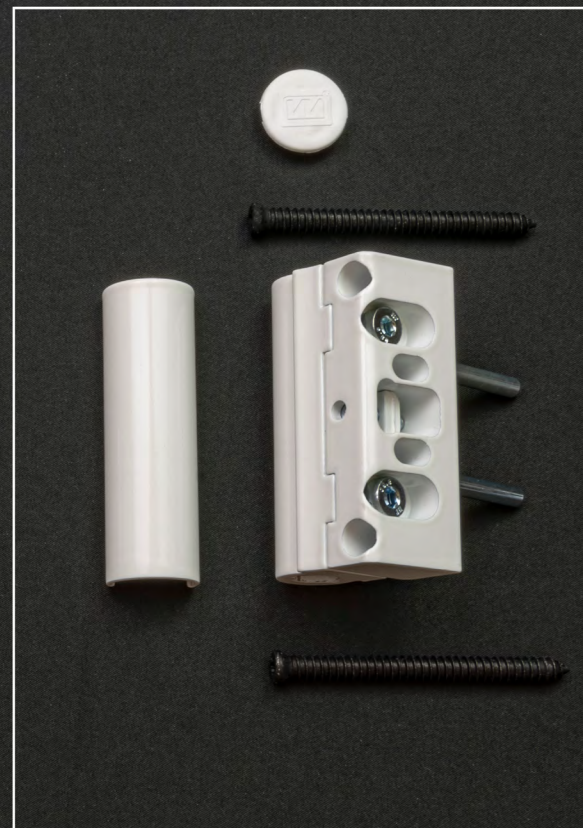
ROLLER HINGES FOR REBATE PVC WRVP - 2 WINGS

- | | | | |
|--|---------------------|--|--------------|
| | 7016 | | 7021 |
| | 7024 | | 9005 |
| | 8077 | | 8019 |
| | 8017 | | 8003 |
| | 9001 | | 1036W |
| | 9010 | | 9016 |
| | 7035 | | 9006 |
| | SILVER | | TITAN W9 |
| | ANODE NATURAL | | INOX COATING |
| | GOLDEN ELECTROPOLER | | GOLD W3 |
| | GOLD W4 | | RAL |
-
- | | |
|-------------|------------|
| SUBLIMATION | |
| | GOLDEN OAK |
| | WALNUT |
-
- | | |
|--|---------------|
| | BLACK PLASTIC |
| | WHITE PLASTIC |



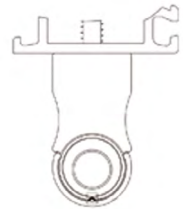


ELEMENTS
OF A DOOR FRAME



ELEMENTS
OF A DOOR SASH

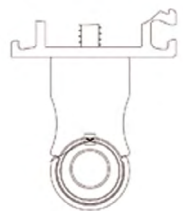
ADJUSTMENT FOR ROLLER HINGES WRVP - 2 WINGS



+0,5 mm

Sealing pressure adjustment

-0,5 mm



Left / right
adjustment
 $\pm 4,5$ mm

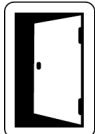
Height
adjustment
 ± 4 mm



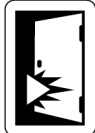
CLASSIFICATION WRVP 2 & 3 WINGS

WRVP HINGE CLASSIFICATION
EN 1935:2002 + EN 1935:2002/AC:2003

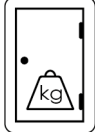
FOR USE IN EMERGENCY EXIT DOORS



4/4 - SERVICE CLESSES



7/7 - DURABILITY



7/7 - WEIGHT OF TEST DOOR



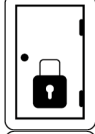
0/1 - FIRE RESISTANCE



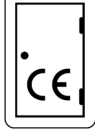
1/1 - SECURITY



4/4 - CORROSION RESISTANCE * 5/5 according to EN 1670:2007 fulfilled



1/1 - INTRUSION PROTECTION



14/14 - HINGE CLASS

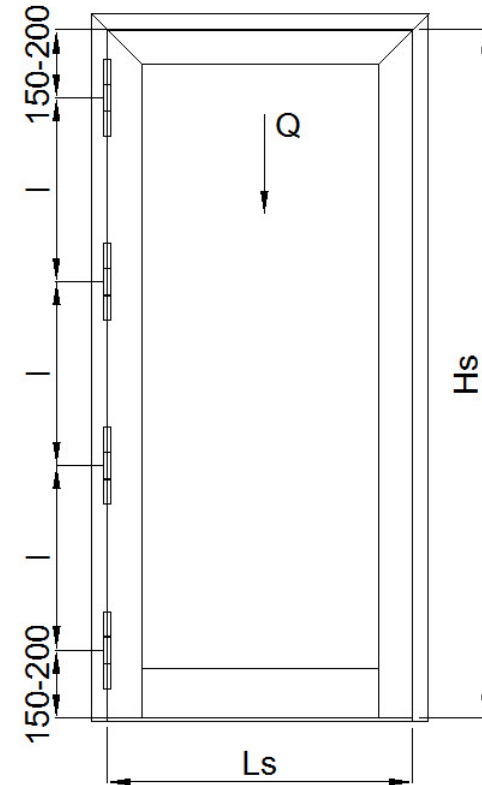
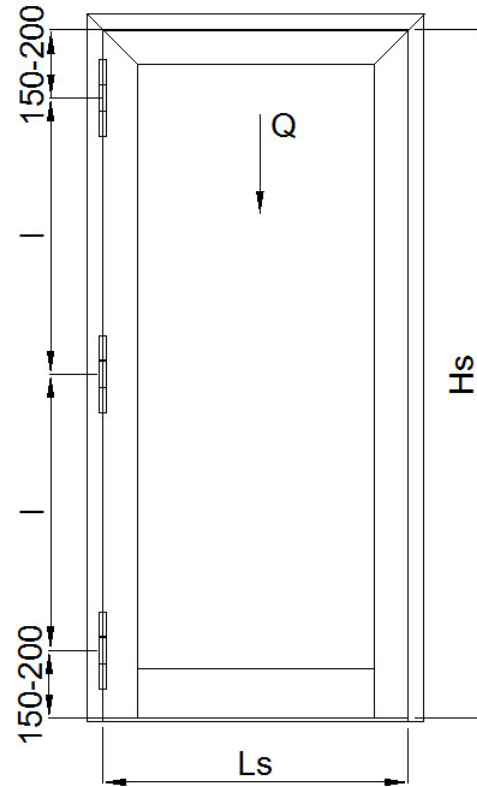
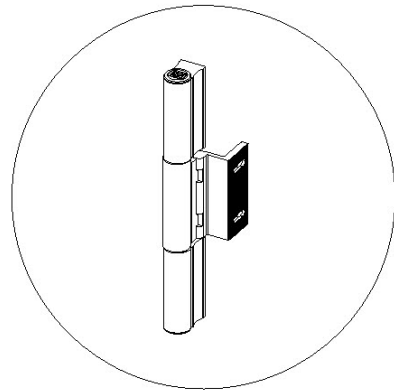
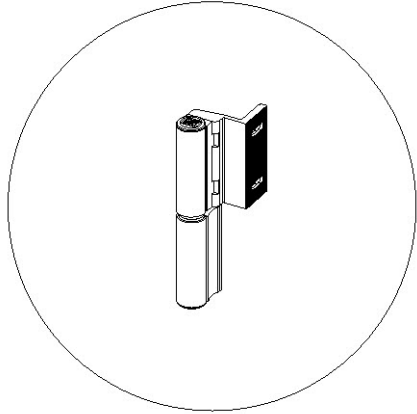


EMERGENCY
EXIT DOOR

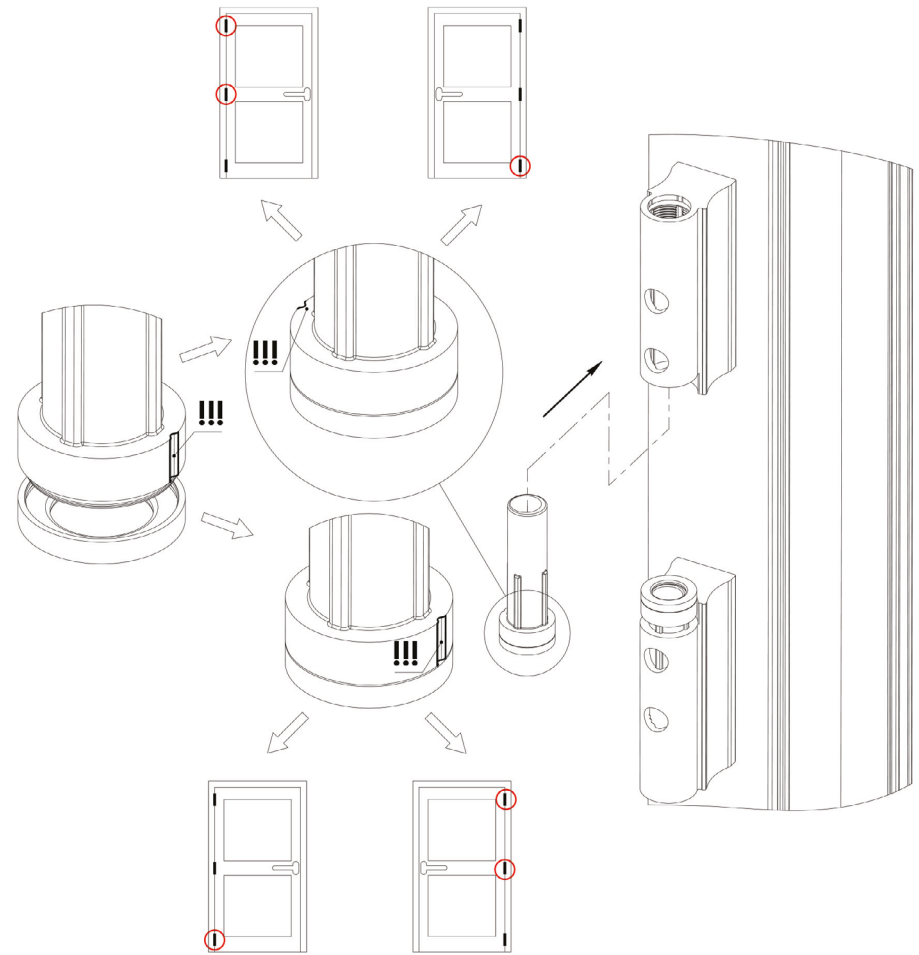
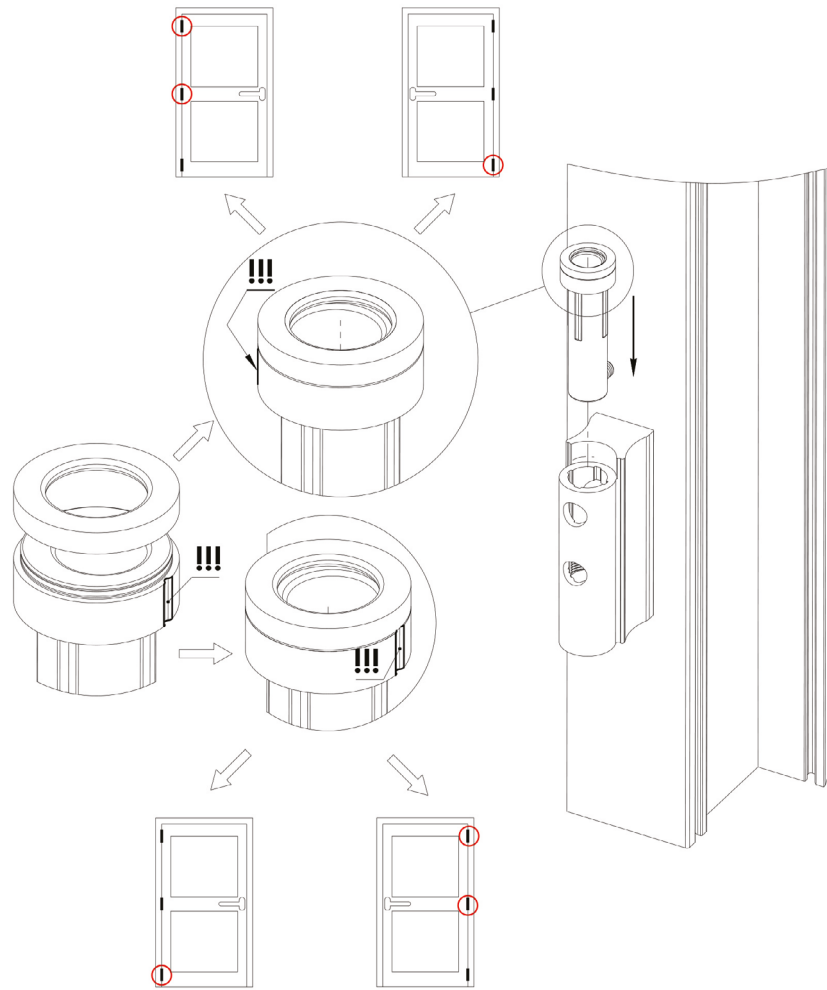
TESTS AT
IFT ROSENHEIM
PERFORMED
ON HINGES WITH
GALVANISED
AND STAINLESS STEEL
PINS.



ASSEMBLY RULES WRVP 2 & 3 WINGS



CORRECT BUSHING POSITIONING WRVR 2 & 3 WINGS

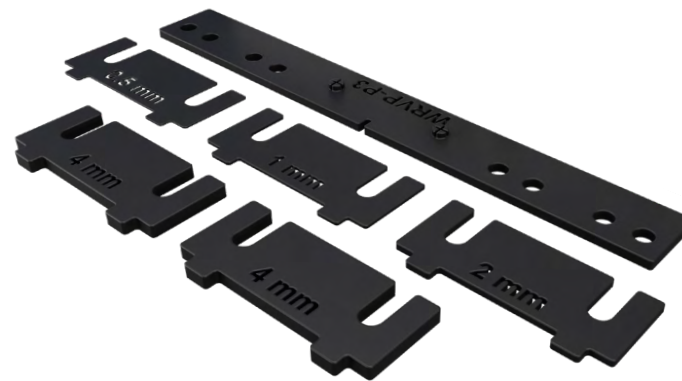


PATTERNS FOR DRILLING WRVP

TABLE APPLICATION DISTANCE

P	0,5mm	1mm	2mm	4mm
17	-	-	-	-
17,5	1x	-	-	-
18	-	1x	-	-
18,5	1x	1x	-	-
19	-	-	1x	-
19,5	1x	-	1x	-
20	-	1x	1x	-
20,5	1x	1x	1x	-
21	-	-	-	1x
21,5	1x	-	-	1x
22	-	1x	-	1x
22,5	1x	1x	-	1x
23	-	-	1x	1x
23,5	1x	-	1x	1x
24	-	1x	1x	1x
24,5	1x	1x	1x	1x
25	-	-	-	2x
25,5	1x	-	-	2x
26	-	1x	-	2x
26,5	1x	1x	-	2x

TEMPLATE AND DISTANCE

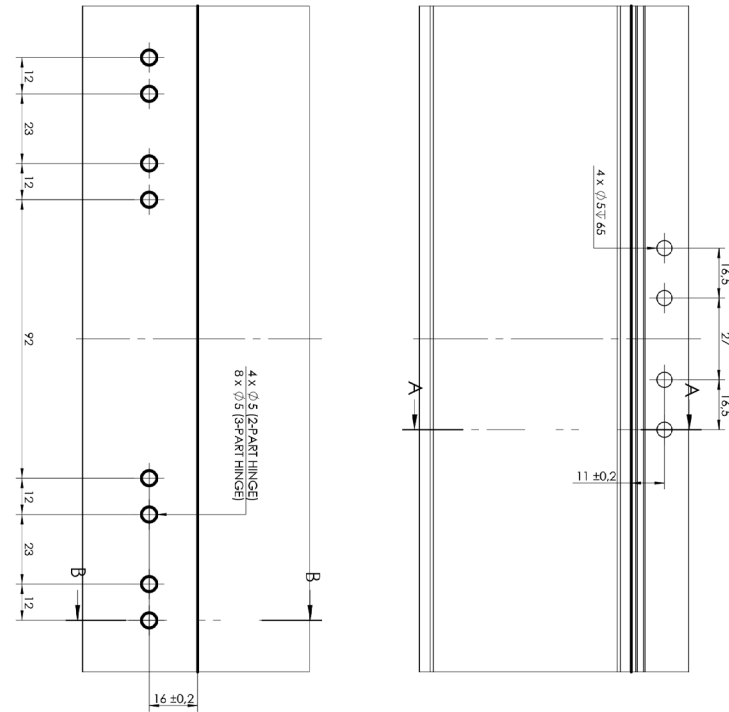
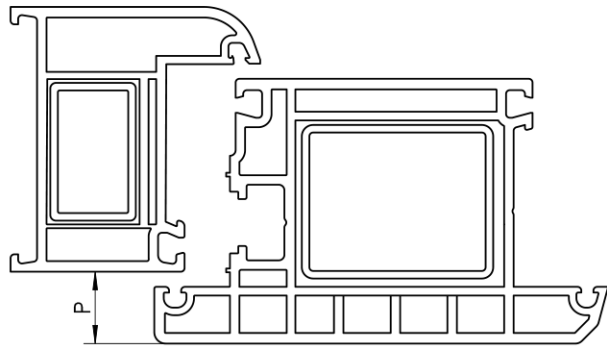


TELESCOPIC TEMPLATE WRVP



DRILLING FOR HINGES WRVP

DRILLING FOR HINGES WRVP



LOAD SELECTION WRVR

If the distance between hinges in the middle of a door exceeds 1500mm, we suggest using additional hinge which caulks the door.



Private building



Public building



Door closer

2-wings

3-wings

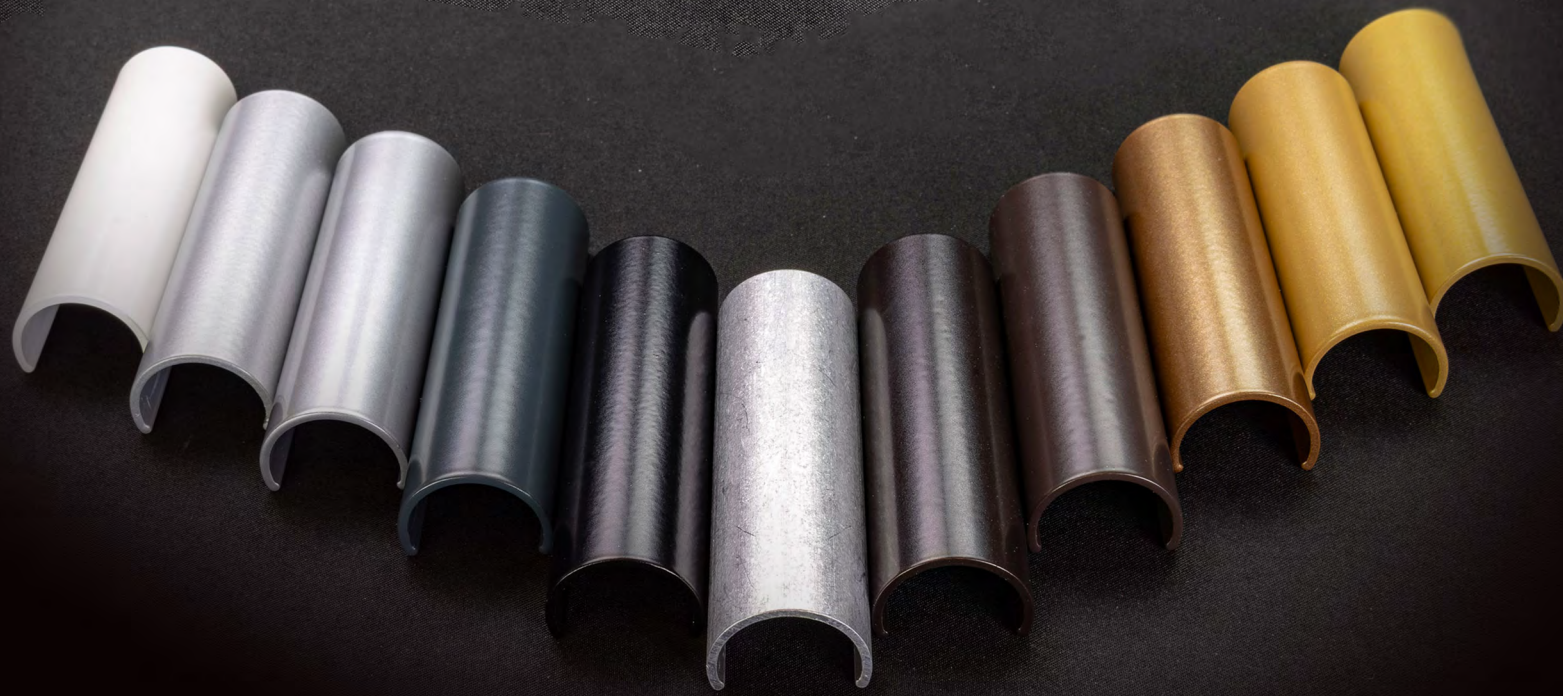
		W	S	800	900	1000	1100	1200	1300	1400
 3x 4x 		2000	120	110	95	85	80	70	65	
		2100		115	105	90	85	75	70	
		2200		120	115	100	90	80	75	
		2300	120		110	100	90	80		
		2400	120	120	115	110	95	85		
		2500			115	100	90			
		2600			120	105	95			
		2700				115	105			
		2800			120	110				
		2900				115				
3000	120									

		W	S	800	900	1000	1100	1200	1300	1400
 3x 4x 		2000	160	150	135	125	120	110	105	
		2100		155	145	130	125	115	110	
		2200		160	155	140	130	120	115	
		2300	160		150	140	130	120		
		2400	160	160	155	150	135	125		
		2500			155	140	130			
		2600			160	145	135			
		2700				155	145			
		2800			160	150				
		2900				155				
3000	160									

		W	S	800	900	1000	1100	1200	1300	1400
 3x 4x 		2000	100	90	75	65	60	50	45	
		2100		95	85	70	65	55	50	
		2200		100	95	80	70	60	55	
		2300	100		90	80	70	60		
		2400	100	100	95	90	75	65		
		2500			95	80	70			
		2600			100	85	75			
		2700				95	85			
		2800			100	90				
		2900				95				
3000	100									

		W	S	800	900	1000	1100	1200	1300	1400
 3x 4x 		2000	140	130	115	105	100	90	85	
		2100		135	125	110	105	95	90	
		2200		140	135	120	110	100	95	
		2300	140		130	120	110	100		
		2400	140	140	135	130	115	105		
		2500			135	120	110			
		2600			140	125	115			
		2700				135	125			
		2800			140	130				
		2900				135				
3000	140									







WALA Sp. z o.o.
ul. Parkowa 16
43-365 Wilkowice

wala@wala.pl
tel. +48 33 82 72 390
kom. +48 725 70 80 30
www.wala.pl

