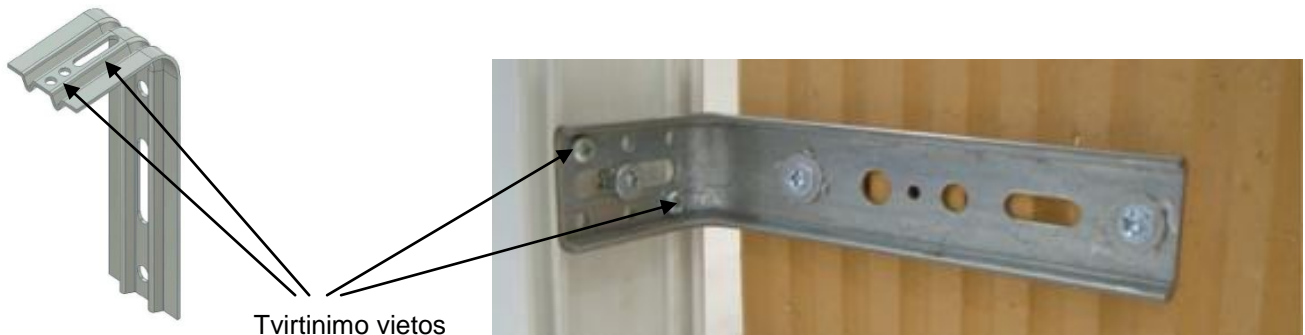


Varžtai, tipas WSPC  
kronšteinų ir kampų RX-K-System ir RX-Solid tvirtinimui prie PVC profilio



**WSPC** Flange head self-drilling screw, PH



CE  
PN-EN 14566  
+A1:2010



Description

Flange head self-drilling screw for making lap joints in steel sheets up to 2mm thick.  
Material: zinc plated carbon steel.

Protective coating

White zinc

Features and advantages



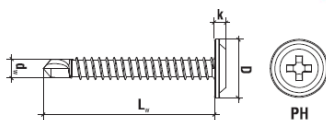
**Flange head with PH drive** Flange head ensures tight fastening of the installed element. Commonly used PH drive also makes installation easier.



**Correct thread pitch and length** The right pitch ensures correct installation of members.



**Sharp self-drilling point** Special self-drilling point ensures easier and faster screw installation in steel.



	Code	d <sub>w</sub> x L <sub>w</sub> [mm]	D [mm]	k [mm]	PH +	Pcs
ø4,2	WSPC-42013	4,2 x 13	11,5	2	PH 2	1000
	WSPC-42016	4,2 x 16	11,5	2	PH 2	1000
	WSPC-42019	4,2 x 19	11,5	2	PH 2	1000
	WSPC-42025	4,2 x 25	11,5	2	PH 2	500
	WSPC-42032	4,2 x 32	11,5	2	PH 2	500
	WSPC-42045	4,2 x 45	11,5	2	PH 2	300
	WSPC-42055	4,2 x 55	11,5	2	PH 2	300

Taip pat tiekiami 4,8 mm ir 6,3 mm diametro Dresselhaus varžtai.

Sandėlio prekė 4,8x32



0000280760  
4026303634250

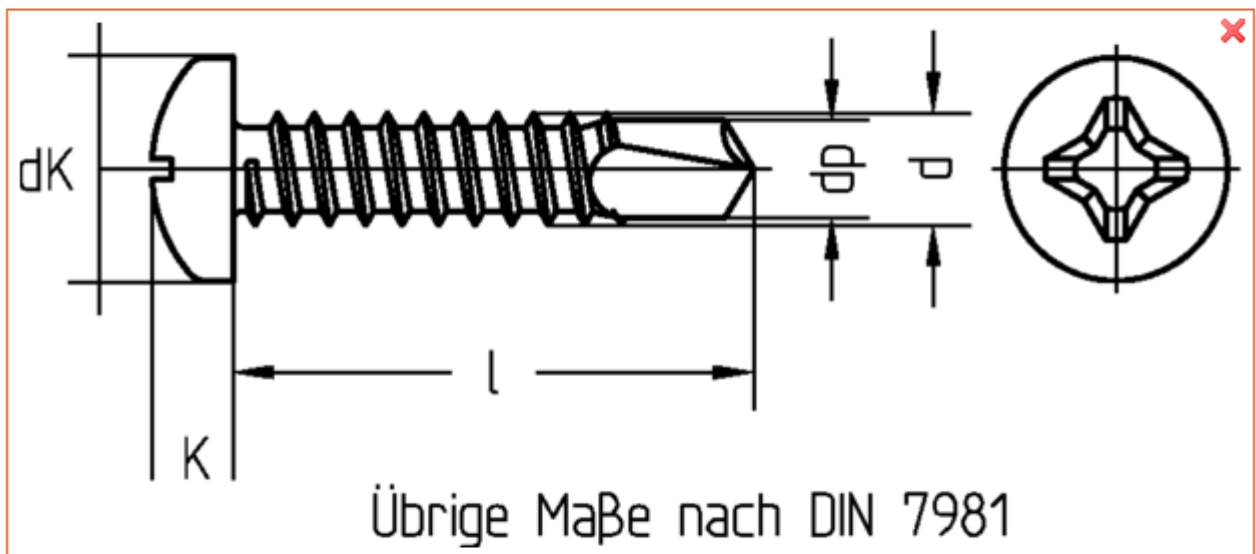
BOHRSCHRAUBEN DIN 7504 LK M-H 4,8 X 32 MM VZ (KP-VE=100 ST.)

**WGR 6047 - Self drilling screws Pan Head M-H**

## WGR 6047

Description: **Self drilling screws Pan Head M-H**  
 Norm: **DIN 7504 (Current DIN-EN-ISO 15481)**  
 Surface **001 zinc plated Cr3+**

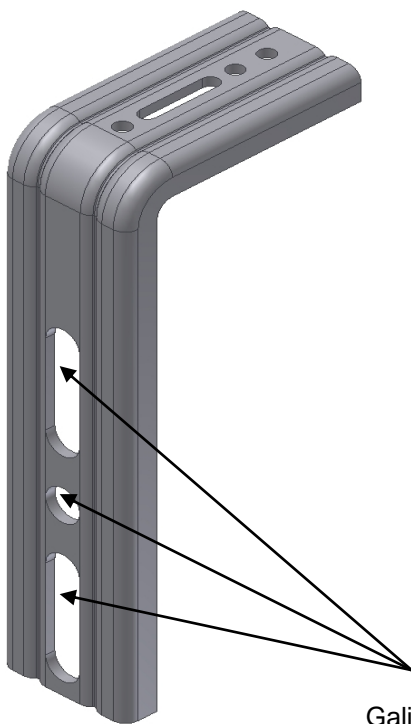
**General technical details**



d	drill range from/to	dp max.	dk	K	size of cross recess
2,9	0,7/1,9	2,3	5,6	2,4	1
3,5	0,7/2,25	2,8	7	2,6	2
3,9	0,7/2,4	3,1	7,8	2,8	2
4,2	1,75/3,0	3,6	8	3,1	2
4,8	1,75/4,4	4,1	9,5	3,7	2
5,5	1,75/5,25	4,8	11	4	3
6,3	2,0/6,0	5,8	12	4,6	3

Tvirtinimo elementai , tipas KPR-FAST-10x80K  
Kronšteinų ir kampų RX-Solid tvirtinimui prie sienos

Visada naudoti 2 vnt. tvirt.elementų vienam RX-Solid kampui



Galimos tvirtinimo vietos



Tvi

PRODUCT NAME	DIAMETER [MM]	APPROVAL	PHOTO	SUBSTRATE					
				ETAG 20				PLASTERBOARD	
				A	B	C	D	1x	2x

FRAME FIXINGS

<b>KPR-FAST 10 K</b>	Ø10								
Frame plug with hex head screw, TX-40/SW13 NYLON/BLUE ZINC PLATED									

## KPR-FAST-10 K / KPS-FAST-10 S

Pagrindas wg ETAG020	Pavadinimas	Tankis [kg/dm <sup>3</sup> ]	Norma	Varžto ištraukimo jėga [kN]	
				KPR-FAST 10 K	KPS-FAST 10 S
<b>A</b>	Betonas C12/15	≥ 1,8	EN 206-1	3,0*	
	Betonas >C16/20	≥ 2,3	EN 206-1	4,0*	
<b>B</b>	Keraminė plyta	≥ 1,7	EN 771-1	3,5	
	Keraminė plyta (np. MZ Rd 2,0/20)-DIN 106)	≥ 2,0	EN 771-1	3,5	
<b>B</b>	Silikatinė plyta (np. Kalksandstein KS NF 20-2.0 Vollstein - DIN 106)	≥ 2,0	EN 771-2	3,5	
<b>C</b>	Silikatinė plyta KSL (np. Kalksandstein KS L-R(P) 8 DF Lochstein - DIN 106)	≥ 1,6	EN 771-2	2,5	
<b>C</b>	Tuščiaviduris blokelis (np. Porotherm 25 P+W)	≥ 0,8	EN 771-1	0,9	
<b>C</b>	Keraminis blokelis (np. MAX 250)	≥ 0,8	EN 771-1	0,9	
<b>C</b>	Keraminė plyta (np. Hlz Rd1 1,2/12)	≥ 1,2	EN 771-1	2,0	
<b>D</b>	Perforuotas lengvojo betono blokelis (np. HBL 2/0.8)	≥ 0,8	EN 771-3	1,5	
<b>D</b>	Korėtasis betonas AAC2	≥ 0,35	EN 771-4	0,6	
	Korėtasis betonas AAC7	≥ 0,65	EN 771-4	1,5	

\* strefa zarysowana

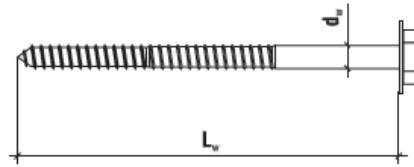
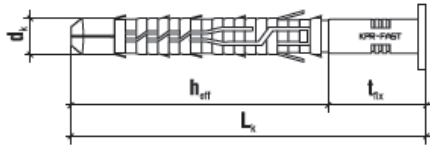
1 kN = 100 kg

Montavimo instrukcija

# TECHNICAL DATA

Product marking

<b>KPR-FAST</b>	<b>10</b>	<b>080</b>	<b>K</b>	<b>00</b>
Type	Diameter	Length	Head type	Type of steel and coating



SW-13  
TX-40

ø10	Code BLUE ZINC PLATED	Code A4 STAINLESS STEEL	Code HOT-DIP GALVANIZED	d <sub>k</sub> x L <sub>k</sub> [mm]	d <sub>w</sub> x L <sub>w</sub> [mm]	Max. fixture thickness t <sub>fix</sub> [mm]	Drive type		Pcs
	KPR-FAST-10080K	KPR-FAST-10080K-A4	KPR-FAST-10080K-00	10 x 80	7.0 x 85	10	TX-40	SW-13	50
	KPR-FAST-10100K	KPR-FAST-10100K-A4	KPR-FAST-10100K-00	10 x 100	7.0 x 105	30	TX-40	SW-13	50
	KPR-FAST-10120K	KPR-FAST-10120K-A4	KPR-FAST-10120K-00	10 x 120	7.0 x 125	50	TX-40	SW-13	50
	KPR-FAST-10140K	KPR-FAST-10140K-A4	KPR-FAST-10140K-00	10 x 140	7.0 x 145	70	TX-40	SW-13	50
	KPR-FAST-10160K	KPR-FAST-10160K-A4	KPR-FAST-10160K-00	10 x 160	7.0 x 165	90	TX-40	SW-13	50
	KPR-FAST-10180K	KPR-FAST-10180K-A4	KPR-FAST-10180K-00	10 x 180	7.0 x 185	110	TX-40	SW-13	25
	KPR-FAST-10200K	KPR-FAST-10200K-A4	KPR-FAST-10200K-00	10 x 200	7.0 x 205	130	TX-40	SW-13	25
	KPR-FAST-10230K	KPR-FAST-10230K-A4	KPR-FAST-10230K-00	10 x 230	7.0 x 235	160	TX-40	SW-13	25
	KPR-FAST-10260K	KPR-FAST-10260K-A4	KPR-FAST-10260K-00	10 x 260	7.0 x 265	190	TX-40	SW-13	25
	KPR-FAST-10300K	KPR-FAST-10300K-A4	KPR-FAST-10300K-00	10 x 300	7.0 x 305	230	TX-40	SW-13	25

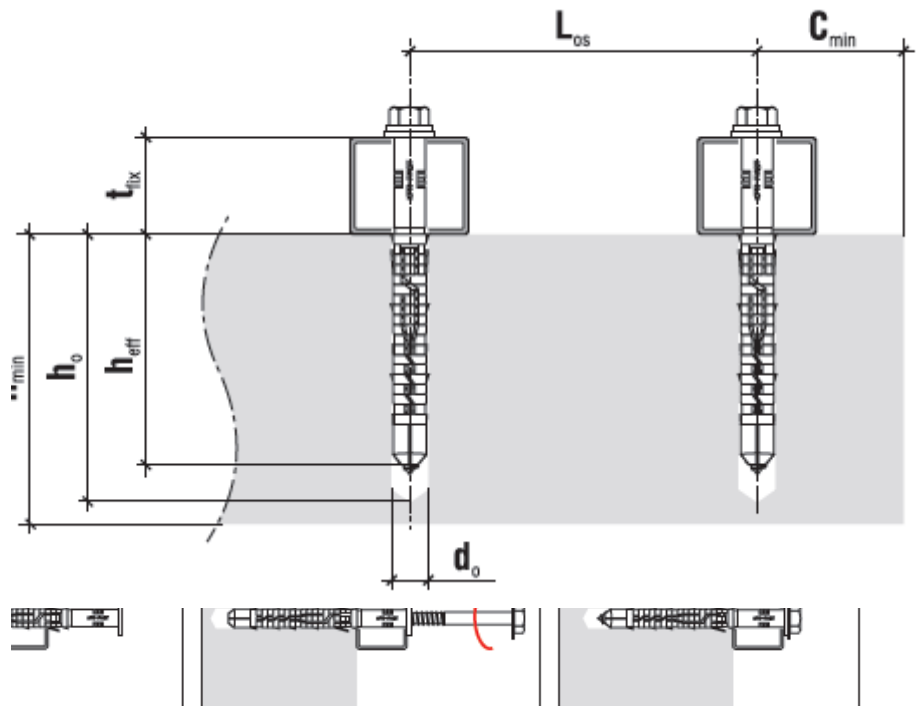
MADE TO ORDER    MADE TO ORDER

## TECHNICAL DATA

Parameter	Unit	Value
Plug diameter	d <sub>k</sub> [mm]	10
Hole diameter	d <sub>o</sub> [mm]	10
Effective anchorage depth	h <sub>eff</sub> [mm]	70
Depth of drill hole	h <sub>o</sub> [mm]	80
Drive type	x	TX-40/SW-13
Use categories	x	A B C D
Sleeve material	x	PA
Screw material	x	A4, hot-dip galvanized, steel
Approval	x	ETA-12/0272

## SUBSTRATE - MINIMUM THICKNESS, DISTANCE

Substrate	Min. member thickness h <sub>min</sub> [mm]	Min. edge distance c <sub>min</sub> [mm]
Concrete ≥C16/20	100	60
Solid clay brick	120	100
Solid sand-lime brick	120	100
Perforated clay brick	180	100
Autoclaved aerated concrete	100	100



Pagal atskirą užsakymą galimas tiekimas :

KPR-FAST 10 K A4 - su nerūdijančio plieno varžtais

KPR-FAST 10 K 00 – su ugniai atspariais varžtais

## KPR-FAST 10 K

Frame plug Ø10 with hex head screw  
**ZINC PLATED SCREW**

## KPR-FAST 10 K A4

Frame plug Ø10 with hex head screw  
**A4 STEEL SCREW**

## KPR-FAST 10 K 00

Frame plug Ø10 with hex head screw  
**HOT-DIP GALVANIZED SCREW**



### Description

Frame plug with flanged hex head screw for fixing of metal members

### Technical data

Type of installation	push-through installation
Substrate	concrete, solid clay brick, perforated clay brick, autoclaved aerated concrete

### Sleeve material / Protective coating



### Features and advantages of the product



Screw length

We manufacture screws up to 300 mm long



Hex head with TX-40/SW-13 drive

TX drive ensures optimum transfer of torque and SW-13 hex head allows for tightening the screw with a given force (e.g. with torque wrench).



Reduced thread

Precise installation of the screw  
Increased expansion force in the second expansion zone.



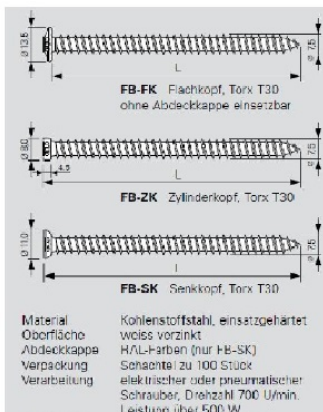
Resistance to fire

For assembling facade systems the fastener has a sufficient fire resistance of at least 90 minutes (R90) if the permissible design load for a single anchorage  $N_r \leq 0.8 \text{ kN}$  (without permanent longitudinal axial load).

**Sertifikuoti tvirtinimo varžtai Rahmenfixschraube FK-T30,**



Art.-Nr.	Pavadinimas	Mato vienetas
0422310	blaugelb Rahmenfixschraube FK-T30 7,5x42mm (dėžė 100 vnt)	100 vnt
0422314	blaugelb Rahmenfixschraube FK-T30 7,5x62mm (dėžė 100 vnt)	100 vnt
0422318	blaugelb Rahmenfixschraube FK-T30 7,5x72mm (dėžė 100 vnt)	100 vnt
0422319	blaugelb Rahmenfixschraube FK-T30 7,5x82mm (dėžė 100 vnt)	100 vnt
0422320	blaugelb Rahmenfixschraube FK-T30 7,5x92mm (dėžė 100 vnt)	100 vnt
0422321	blaugelb Rahmenfixschraube FK-T30 7,5x102mm (dėžė 100 vnt)	100 vnt
0422324	blaugelb Rahmenfixschraube FK-T30 7,5x112mm (dėžė 100 vnt)	100 vnt
0422325	blaugelb Rahmenfixschraube FK-T30 7,5x122mm (dėžė 100 vnt)	100 vnt
0422327	blaugelb Rahmenfixschraube FK-T30 7,5x132mm (dėžė 100 vnt)	100 vnt
0422329	blaugelb Rahmenfixschraube FK-T30 7,5x152mm (dėžė 100 vnt)	100 vnt
0422331	blaugelb Rahmenfixschraube FK-T30 7,5x182mm (dėžė 100 vnt)	100 vnt
0422333	blaugelb Rahmenfixschraube FK-T30 7,5x212mm (dėžė 100 vnt)	100 vnt
0423707	blaugelb Rahmenfixschraube FK-T30 7,5x252mm (dėžė 100 vnt)	100 vnt
0422334	blaugelb Rahmenfixschraube FK-T30 7,5x300mm (dėžė 100 vnt)	100 vnt
09035135	blaugelb Rahmenfixschraube FK-T30 7,5x350mm (dėžė 100 vnt)	100 vnt
09035136	blaugelb Rahmenfixschraube FK-T30 7,5x400mm (dėžė 100 vnt)	100 vnt



**Kopfform / Antrieb**

Flachkopf / Torx T30



Zylinderkopf / Torx T30



Senkkopf / Torx T30



**Zusatzinformationen**

**Befestiger:**

- Kohlenstoffstahl

**Oberfläche:**

- Zn weiss

**Einschraubtiefe:**

- abhängig vom Material des Baukörpers

**Montage:**

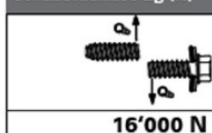
- gute Eindrehmomente dank reduzierter Gewindespitze



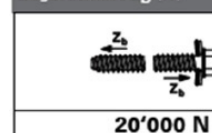
**ROSENHEIM**  
 Nr. 509 16 240  
 Nr. 105 33 615  
 Nr. 105 35 815

**Technische Werte**

**Schubbruchlast Q<sub>B</sub> (N)**



**Zugbruchlast Z<sub>B</sub> (N)**



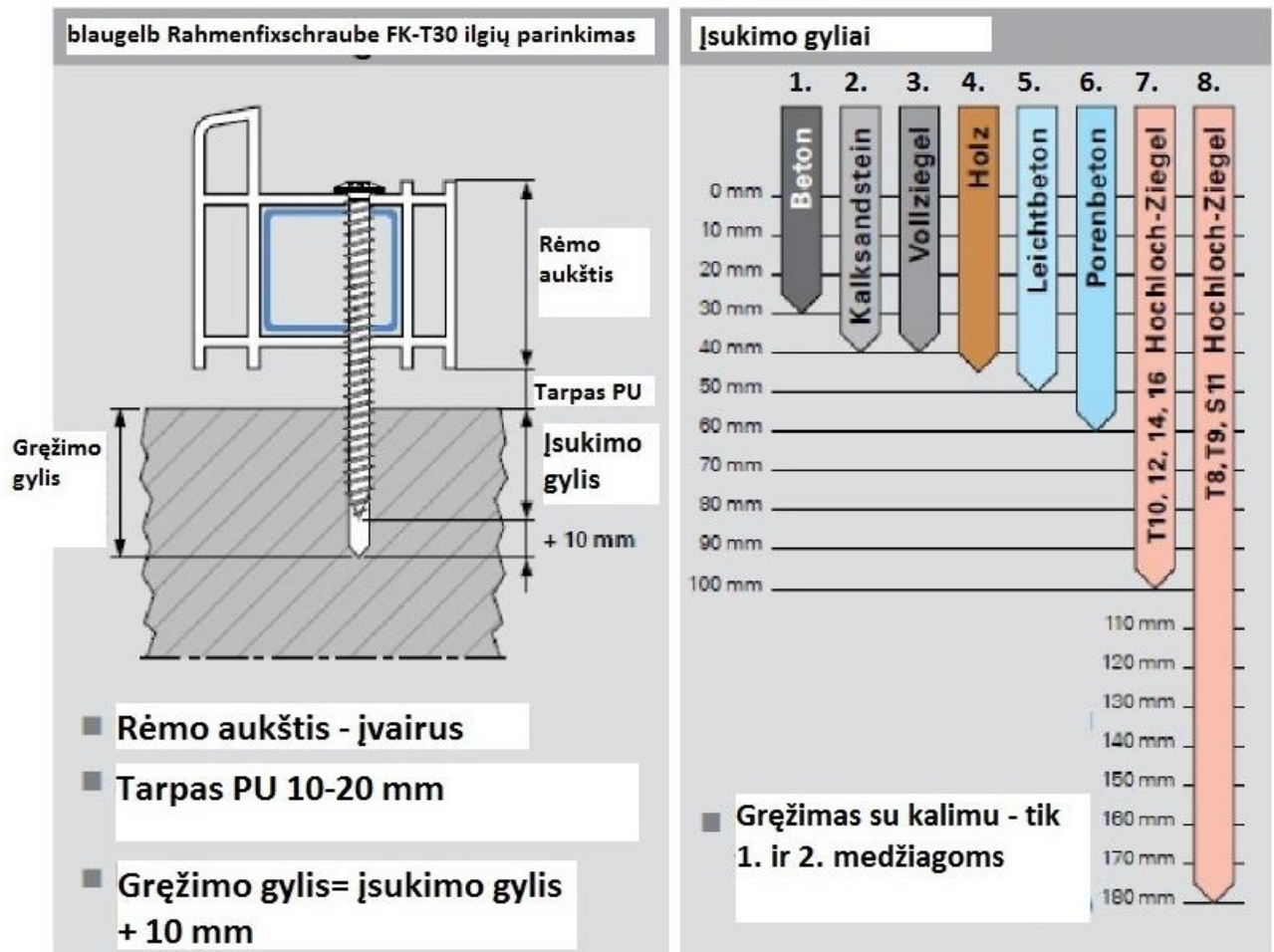
**Torsionsbruch M<sub>t</sub> (Nm)**



\* Bruch Bit

**Richtwerte für das Verarbeiten mit Automaten**

- Drehzahl unter Last 700 U/min. Leistung über 500 W



1. Betonas
2. Silikatas
3. Pilnavidurė plyta
4. Mediena
5. Lengvas betonas
6. Porėtas betonas
7. Keraminės skylėtos plytos/blokeliai T10-16
8. Keraminiai blokeliai T8 -11

Bohrloch-Ø und Einschraubtiefe in verschiedenen Untergründen				
Laibung Untergrund	Gręžimo diametras	Įsukimo gylis	Gręžti	Gręžimas su kalimu
1. Beton	6,0 mm	30 mm		x
2. Kalksandstein	6,0 mm	40 mm		x
3. Vollziegel	6,0 mm	40 mm	x	
4. Holz	6,0 mm	45 mm	x	
5. Bims	6,0 mm	50 mm	x	
6. Porenbeton	ohne vorbohren	60 mm	-	
7. Hochloch-Ziegel	5,0 mm	100 mm	x	
8. Hochloch-Ziegel	5,0 mm	180 mm	x	